



MH-250A-480-KIT

250W METAL HALIDE

DESCRIPTION

250W Metal Halide



LAMP TYPE: 250W MH

INPUT VOLTAGE: Single Tap (480)

CIRCUIT TYPE: CWA (Without Ignitor)

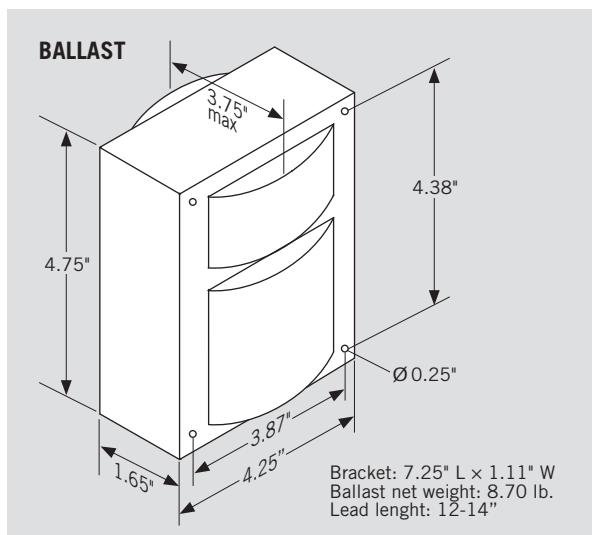
PRODUCT FEATURES

- ANSI designation: M58 or H37
- Line voltage: 480
- Regulation: 10%
- Frequency: 60 Hz
- Recommended fuse (A): 2
- Circuit type: CWA
- Insulation class: 180°C/356°F
- Capacitor value: 15 MF
- Capacitor voltage rating: 400 V
- Capacitor temperature rating: 90°C/194°F
- Winding materials: Cu/Al
- Lamp starter: N/A
- Agency certification: RU, cRU
- Maximum distance to lamp: N/A
- 2 Year Warranty

ELECTRICAL CHARACTERISTICS

Line Voltage	Power Factor	Line Current			Input Power	Open Circuit Voltage	Minimum Start Temp	UL Temp Code
		Operating	Open Circuit	Starting				
480V	High	0.58A	0.63A	0.59A	290W	316V	-30°C/-22°F	A

PHYSICAL SPECIFICATIONS

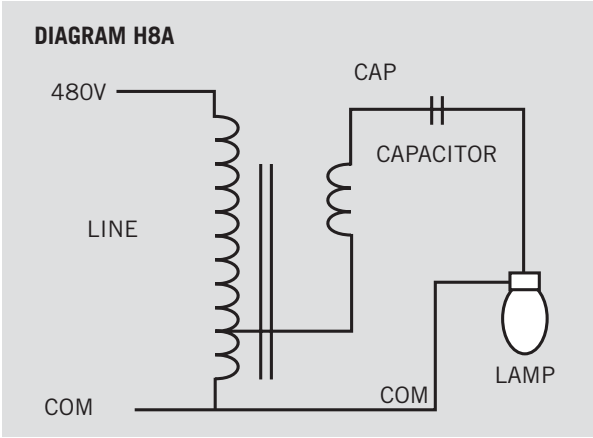




MH-250A-480-KIT

250W METAL HALIDE

WIRING SPECIFICATIONS



ORDERING INFORMATION

ORDER CODE	PACK QTY.	UPC	EASY CODE
MH-250A-480-KIT	1	TBD	XKS-33

CATALOG NUMBER BREAKDOWN

MH-250A-480-KIT

- 1
- 2
- 3
- 4
- 5

- 1 Metal Halide
- 2 Input Power
- 3 CWA Circuit
- 4 480V, Single Tap
- 5 HID Replacement Kit