

# KT-WWLED12-L2A-M-RGBW-DMX / KT-WWLED24-L4A-M-RGBW-DMX WALLWASHER LED TRACK LUMINAIRES

## INSTALLATION INSTRUCTIONS

**PLEASE FIND A QUALIFIED ELECTRICIAN FOR INSTALLATION. Please read the instructions before installation and use.**

**READ CAREFULLY BEFORE INSTALLING FIXTURE. RETAIN THESE INSTRUCTIONS FOR FUTURE REFERENCE.**

### SAFETY AND ELECTRICAL PARAMETERS

#### WARNING

- To reduce the risk of death, personal injury, or property damage from fire, electric shock, falling parts, cuts/abrasions, and other hazards, read all warnings and instructions included with and/or the fixture box and fixture labels.
- Before installing, servicing, or performing routine maintenance upon this equipment, follow these general precautions.
- Commercial installation, service, and maintenance of luminaires should be performed by a qualified licensed electrician.
- If you are unsure about the installation or maintenance of the luminaires, consult a qualified licensed electrician. Please abide by all relevant country, regional, and local code requirements and regulations when installing this luminaire. Wiring must be in accordance with NEC and all applicable local codes.
- Do not make or alter any holes unnecessarily in an enclosure of wiring or electrical components during the installation.

#### WARNING

- Turn off electrical power at the fuse or circuit breaker box before wiring fixture to the building power.
- Turn off the electrical power when you perform any maintenance.
- Verify that supply voltage is correct by comparing it with the luminaire label information. Do not install with supply voltage that exceeds the rated input voltage of the luminaire.
- All wiring connections should be capped with UL approved wire connectors.

#### CAUTION

- Avoid direct eye exposure to the light source while it is on.
- Account for small parts and destroy/recycle packaging material, as these may be hazardous to children.
- Risk of Burn. Disconnect power and allow fixture to cool before handling/servicing.

#### NOTICE

- All fixture installs must be properly grounded.
- Minimum of 75C supply conductors.
- Specifications and dimensions subject to change without notice. Consult Keystone with any questions or concerns.
- Fixture is IP65 Rated: Suitable for wet location.
- Ensure ambient operating temperature between -40°C/-40°F to 50°C/22°F is maintained (requires tooling product to test and then getting final data). Exceeding these temperature ranges will void warranty and may reduce lifetime or cause performance issues.
- Inspect fixture for any damages before installing. If there is any damage, please do not install and contact Keystone or authorized distributor for resolution.

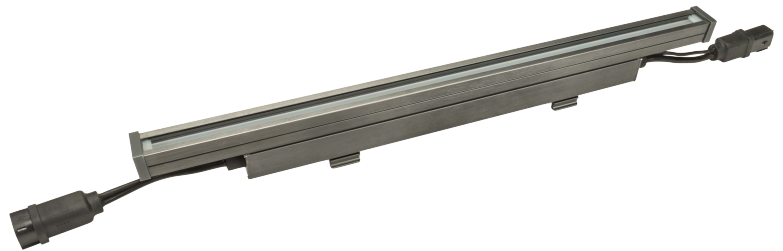
**Caution:** Before installing, make certain that AC power to the fixture is off.  
**Caution:** The electrical rating of this product is 120–277V. Installer must confirm that there is 120–277V at the fixture before installation.

### APPLICATIONS

Architectural Lighting, Landscape Lighting, Sign Lighting, Billboards

### COMPONENTS INCLUDED IN KIT

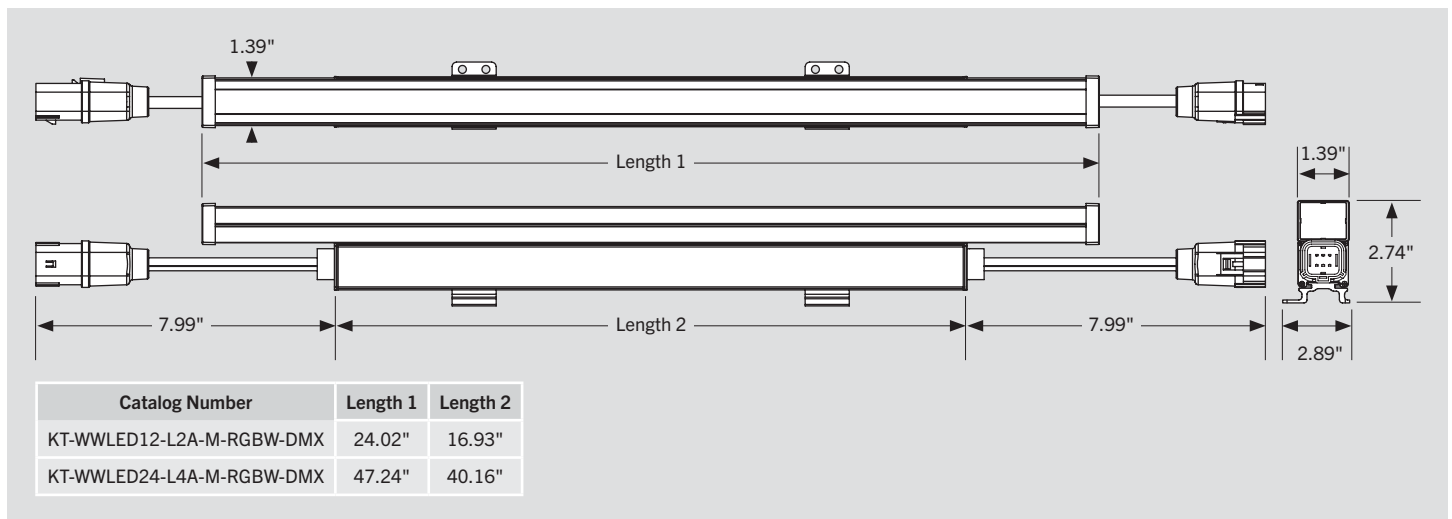
Part	Quantity
Wallwasher Luminaire	1
Termination Cap	1
Allen Keys	2
Installation Instructions	1



### PRODUCT SPECIFICATIONS

Catalog Number	Length	Wattage	Input Voltage	Lumen Output	Efficacy	DMX	Light Distribution	Color	Housing	Rated Life
KT-WWLED12-L2A-M-RGBW-DMX	24"	12W	120–277V	560	45 lm/W	512	Medium beam angle	RGBW	Linear Series A	50,000 hours
KT-WWLED24-L4A-M-RGBW-DMX	48"	24W	120–277V	1100	45 lm/W	512	Medium beam angle	RGBW	Linear Series A	50,000 hours

### DIMENSIONS



**WIRING DIAGRAMS**

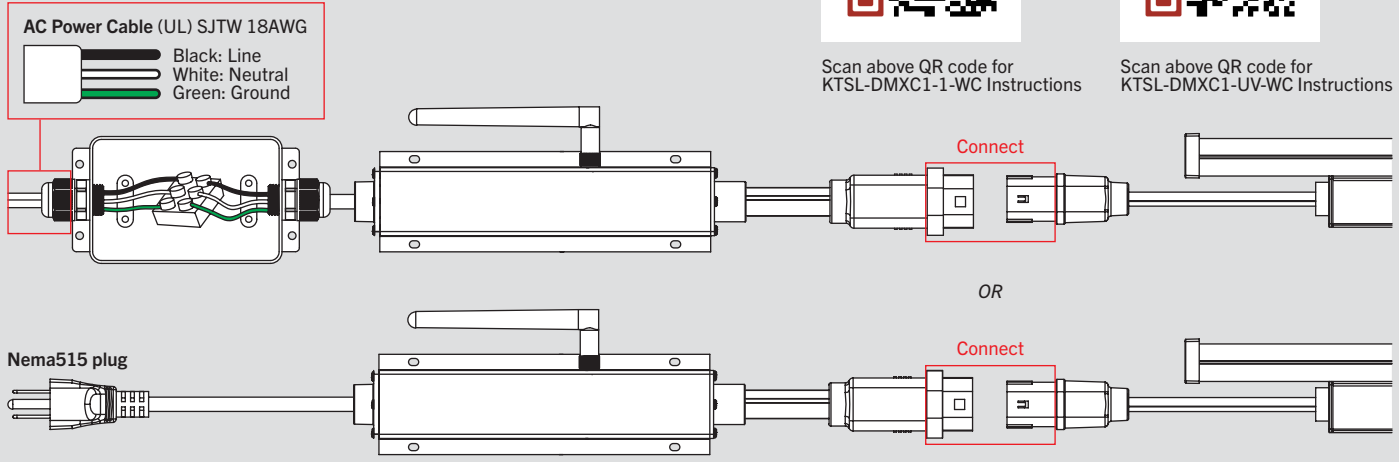
**FOR USE WITH KEYSTONE SMARTLOOP WIRELESS DMX CONTROLLERS**  
 (USING KTSL-DMXC1-UV-WC OR KTSL-DMXC1-1-WC)



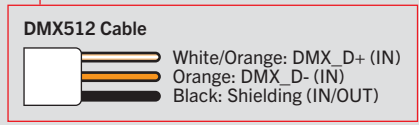
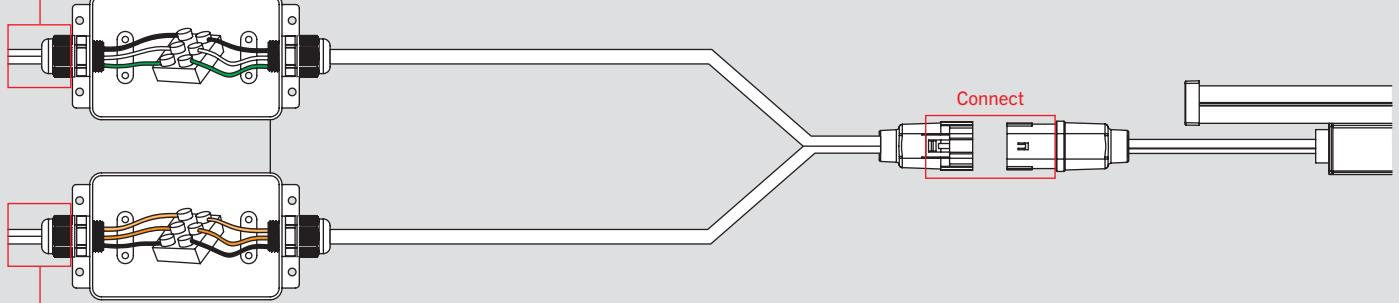
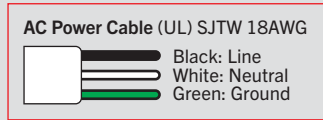
Scan above QR code for  
 KTSL-DMXC1-1-WC Instructions



Scan above QR code for  
 KTSL-DMXC1-UV-WC Instructions



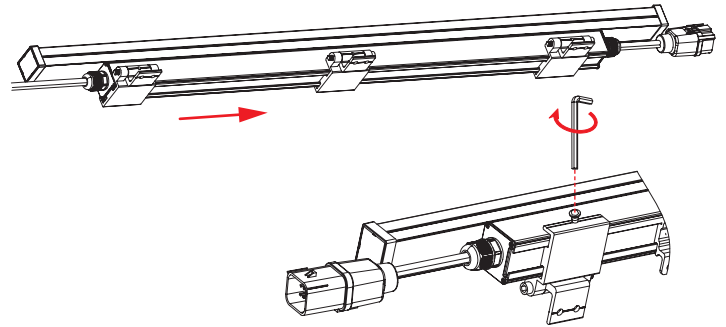
**FOR USE WITH 3RD PARTY DMX SYSTEMS**  
 (USING KT-WWLED-DMX-6-WC/XLR WIRING HARNESS)



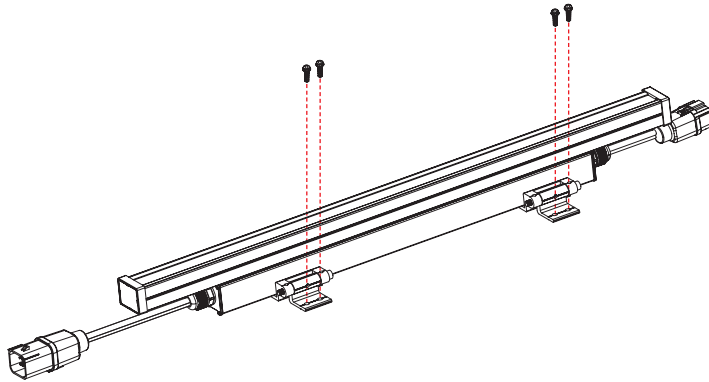
**INSTALLATION INSTRUCTIONS**

1. Shut off power at the source of the fixture housing into which you are installing fixture.
3. Lay out total run length to ensure you can achieve desired appearance within the limitations of the controller being used.

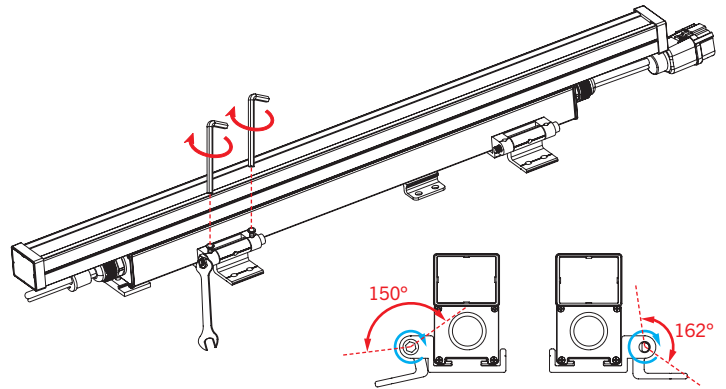
2. Confirm that all components have been received.
4. Adjust mounting brackets to the desired location by loosening set screw with included Allen key and then sliding bracket along wall washer. Once desired location is reached, tighten down the set screw.



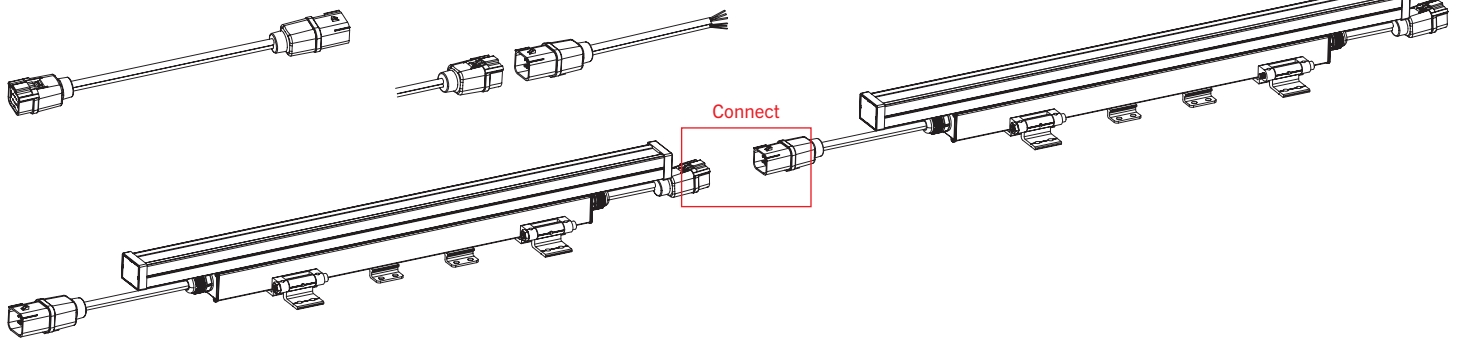
5. Mount fixture to wall or bracket using 4 screws.



6. Once mounted, loosen set keys on rotatable bracket using included Allen key and then adjust angle to aim fixture for optimum light distribution.



7. Connect fixtures directly to controller or link through a daisy chain using waterproof connectors.



8. Ensure circuit does not exceed the ratings of the controller: 6 amps of power max and a total run length of 300 feet (see *Maximum Run Length of Daisy Chained Fixtures* table below).

9. Install termination cap to last fixture in each chain to fully waterproof and complete the DMX system installation. (see *DMX Channel Outputs* table on page 4).

**MAXIMUM RUN LENGTH OF DAISY CHAINED FIXTURES**

Fixture	120V	277V	Maximum Total Distance
KT-WWLED12-L2A-M-RGBW-DMX	40	40	300 feet
KT-WWLED24-L4A-M-RGBW-DMX	20	35	300 feet

10. Connect power to the controller or DMX input cord.

**DMX CHANNEL OUTPUTS**

CHANNEL 1: Red



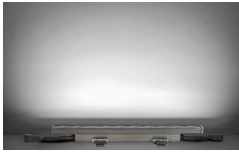
CHANNEL 2: Green



CHANNEL 3: Blue



CHANNEL 4: White



**ORDERING INFORMATION**

Catalog Number	Pack Qty.	UPC	Easy Code
KT-WWLED12-L2A-M-RGBW-DMX	1	843654152417	IOK-39
KT-WWLED24-L4A-M-RGBW-DMX	1	843654152424	ZRY-57