

INSTALLATION AND OPERATING INSTRUCTIONS

CAT. NO. KT-MSLED19-2-8xx-VDIM-P
 CAT. NO. KT-MSLED18-4-8xx-VDIM-P
 CAT. NO. KT-MSLED54-8-8xx-VDIM-P

CAT. NO. KT-MSLED28-4-8xx-VDIM-P
 CAT. NO. KT-MSLED44-4-8xx-VDIM-P

INSTALLATION

COMPONENTS	QUANTITY
Fixture	1
Install Instructions	1

⚠ WARNING

- To reduce the risk of death, personal injury or property damage from fire, electric shock, falling parts, cuts/abrasions, and other hazards read all warnings and instructions included with and on the fixture box and all fixture labels.
- Before installing, servicing, or performing routine maintenance upon this equipment, follow these general precautions.
- Commercial installation, service and maintenance of luminaires should be performed by a qualified licensed electrician.
- For the installation: If you are unsure about the installation or maintenance of the luminaires, consult a qualified licensed electrician and check your local electrical code.
- To prevent wiring damage or abrasion, do not expose wiring to edges of sheet metal or other sharp objects.
- Do not make or alter any open holes in an enclosure of wiring or electrical components during kit installation.

⚠ WARNING

- Turn off electrical power at fuse or circuit breaker box before wiring fixture to the power supply.
- Turn off the power when you perform any maintenance.
- Verify that supply voltage is correct by comparing it with the luminaire label information.
- All wiring connections should be capped with UL approved wire connectors.

⚠ CAUTION

- Avoid direct eye exposure to the light source while it is on.
- Account for small parts and destroy packing material, as these may be hazardous to children.
- Risk of burn. Disconnect power and allow fixture to cool before changing bulb or handling fixture.

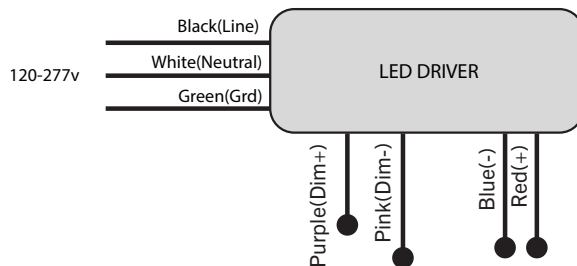
NOTICE: Green ground screw provided in proper location. Do not relocate.

NOTICE: Minimum 90° supply conductors.

NOTICE: Specifications and dimensions subject to change without notice.

NOTICE: Suitable for Dry or Damp location

General Wiring Diagram

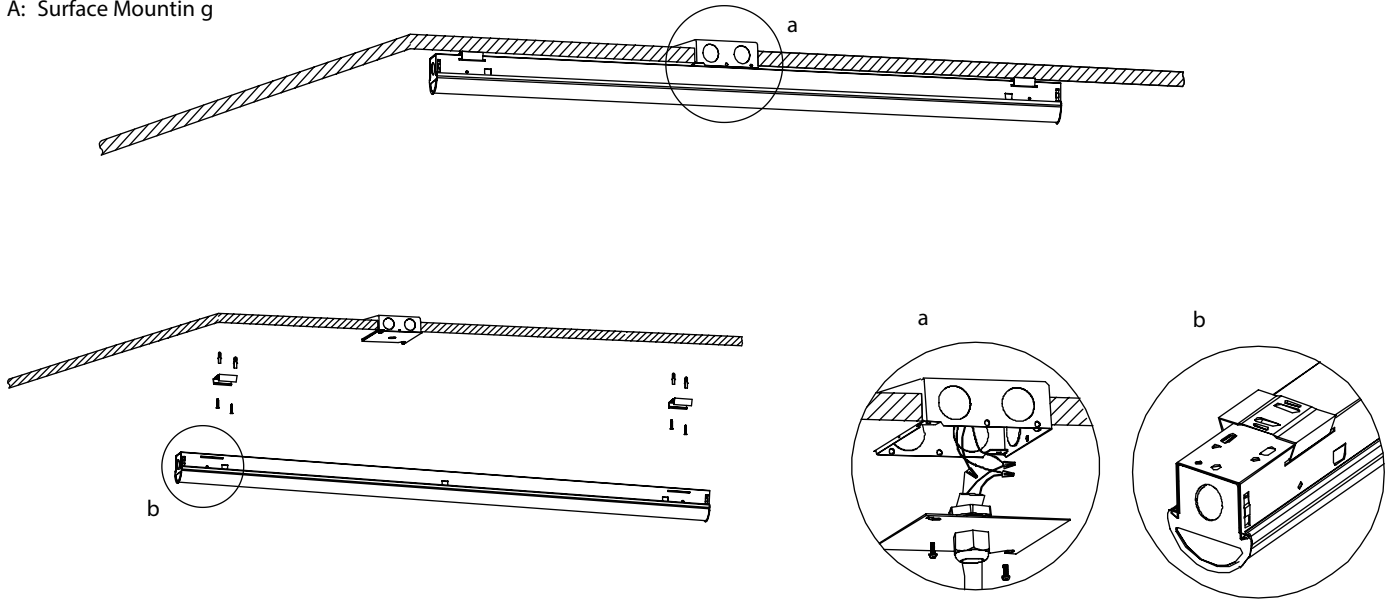


**In accordance with NEC-2011.69 2012, all 0-10V negative wires have been updated from gray to pink. Please contact Keystone for details.*

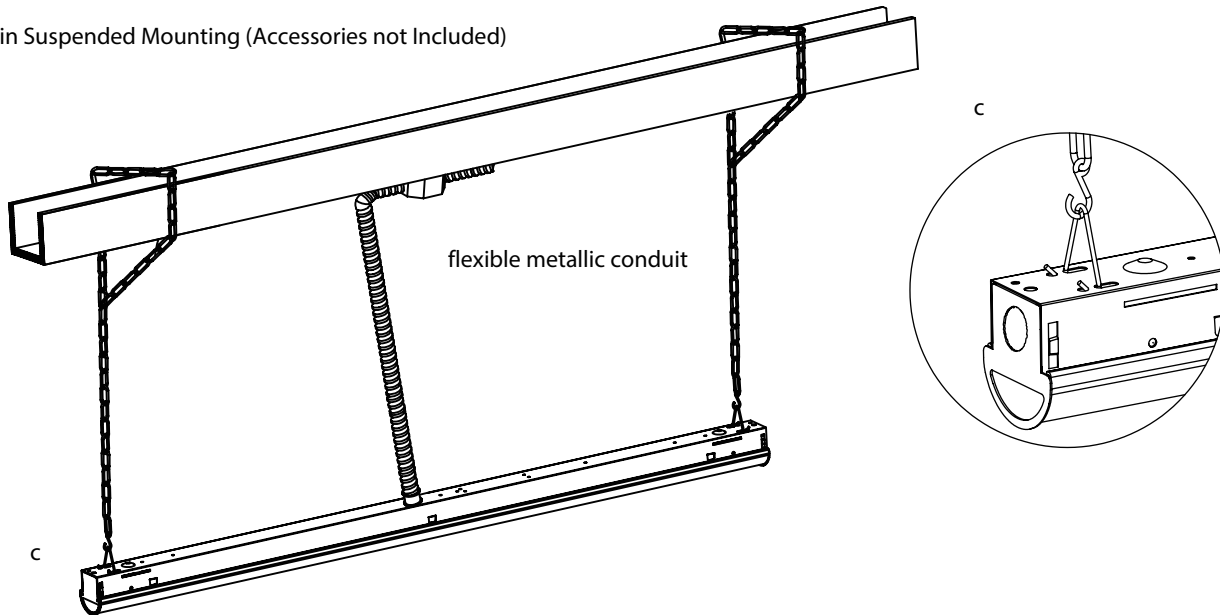
Dimming wire to 0-10v IE C compliant control
 Lead wire to LED load

INSTALLATION INSTRUCTIONS

A: Surface Mounting



B: Chain Suspended Mounting (Accessories not Included)



Always turn off the power supply from the main circuit breaker first!

A: Surface Mounting

1. Wire to main power through the junction box. (Figure A) Secure provided J-Box covers to fixture as needed to cover any openings.
2. Secure the provided brackets into the ceiling by using the provided accessories and screws, then clip the brackets into the slots of the fixture. (Figure B)

Note: To access wire way inside of a fixture for linking purposes or adding occupancy sensors, gently squeeze fixture body and depress lens to remove lens. Insert flathead screwdriver into recessed tabs along the side of the fixture to push out LED Module gear tray.

B: Chain Mounting with V-Hook