

KT-WDLED8-4A-9CSF-FDIM-G-X and KT-WDLED12-6A-9CSF-FDIM-G-X CIRCULAR LED GIMBAL DOWNLIGHT

INSTALLATION INSTRUCTIONS

PLEASE FIND A QUALIFIED ELECTRICIAN FOR INSTALLATION. Please read the instructions before installation and use.

READ CAREFULLY BEFORE INSTALLING FIXTURE. RETAIN THESE INSTRUCTIONS FOR FUTURE REFERENCE.

IMPORTANT

- This product must be installed in accordance with the applicable installation code by a person familiar with the construction and operation of the product and the hazards involved.
- To prevent electrical shock, power should be turned off at the fuse box before installation.

SAFETY WARNINGS

- Read all product labels and directions
- Installation should be performed by a qualified electrician in accordance with the National Electrical Code and relevant local codes.

WARNING

- Turn off electrical power at fuse or circuit breaker box before wiring fixture to the power supply.
- Turn off the power when you perform any maintenance.
- Verify that supply voltage is correct by comparing it with the luminaire label information.

CAUTION

- Avoid direct eye exposure to the light source while it is on.
- Account for small parts and destroy packing material, as these may be hazardous to children.
- Risk of burn. Disconnect power and allow fixture to cool before changing bulb or handling fixture.

NOTES

- Specifications and dimensions subject to change without notice.
- Suitable for wet locations.

NOTE

This equipment has been tested and found to comply with the limits for a Class B digital device, pursuant to Part 15 of the FCC Rules. These limits are designed to provide reasonable protection against harmful interference in a residential installation. This equipment generates, uses and can radiate radio interference energy and, if not installed and used in accordance with the instructions, may cause harmful interference to radio communications. However, there is no guarantee that interference will not occur in a particular installation. If this equipment does cause harmful interference to radio or television reception, which can be determined by turning the equipment off and on, the user is encouraged to try to correct the interference by one or more of the following measures:

- Reorient or relocate the receiving antenna.
- Increase the separation between the equipment and receiver.
- Connect the equipment into an outlet on a circuit different from that to which the receiver is connected.
- Consult the dealer or an experienced radio/TV technician for help.

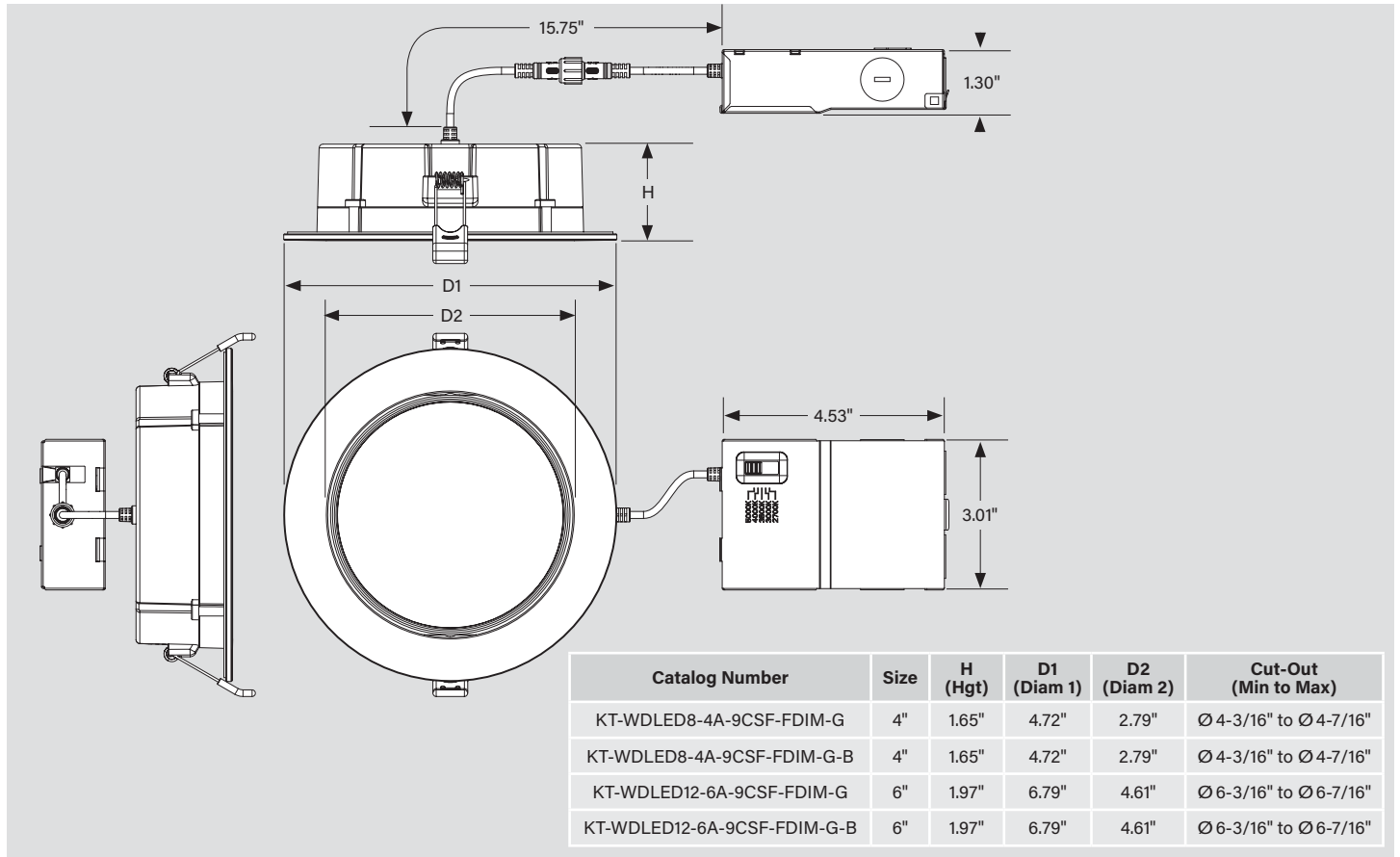
Caution: Before installing, make certain that AC power to the fixture is off.

COMPONENTS INCLUDED IN KIT

Part	Quantity
Circular LED Gimbal Downlight	1
Driver/Junction Box	1
Installation Hole Template	1



PHYSICAL DIMENSIONS



COLOR SELECT (CCT) ADJUSTMENT

This fixture is equipped with field-adjustable Keystone Color Select technology.

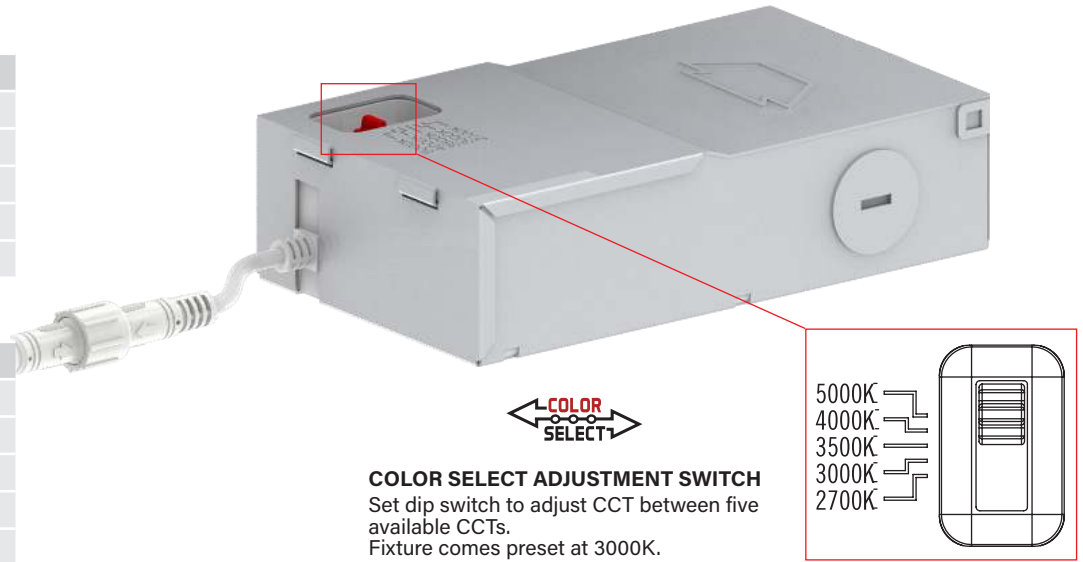
1. Ensure power is off to the fixture.
2. Adjust dip switch to desired settings.

KT-WDLED8-4A-9CSF-FDIM-G-X

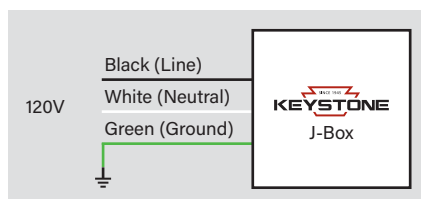
Wattage	CCT
8W	2700K
	3000K
	3500K
	4000K
	5000K

KT-WDLED12-6A-9CSF-FDIM-G-X

Wattage	CCT
12W	2700K
	3000K
	3500K
	4000K
	5000K



WIRING DIAGRAM

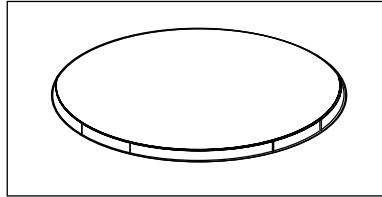


INSTALLATION INSTRUCTIONS

RETROFIT INSTALLATION

- 1. Shut off power at the source of the fixture housing into which you are installing fixture.** Remove existing trim, CFL or incandescent bulb.
Note: Follow all federal and local regulations when disposing of lamps and removed components.

2. Measure ceiling opening to ensure that the edge of the luminaire will cover the entire opening and still sit firmly in the ceiling (see *Dimensions* on page 2).

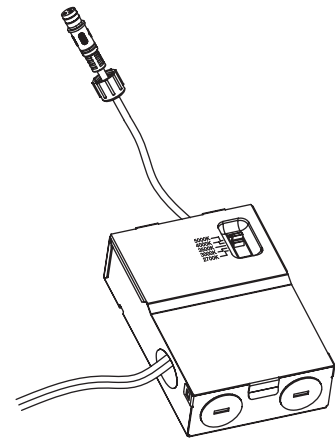
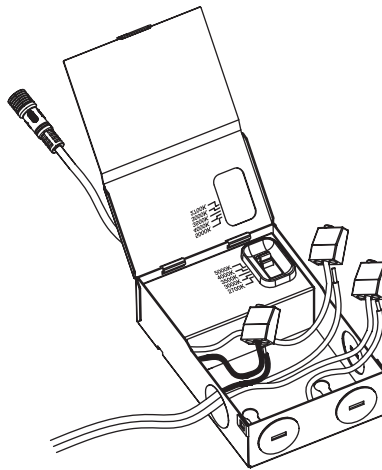
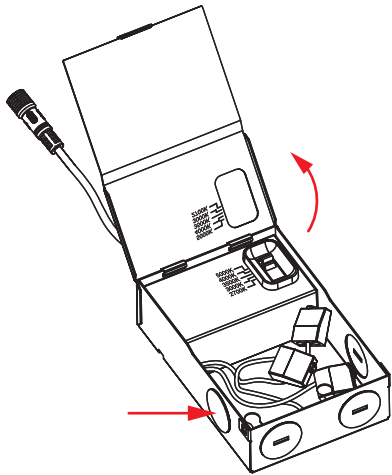


3. Select desired CCT using adjustment switch on fixture (see *Color Select (CCT) Adjustment* on page 2).

4. Open the driver box and remove the knockout(s) (KO).

5. Insert the electrical supply cable through the KO; use appropriate bushing to prevent wire abrasion. Wire driver box (see *Wiring Diagram* on page 2 and illustration below).*

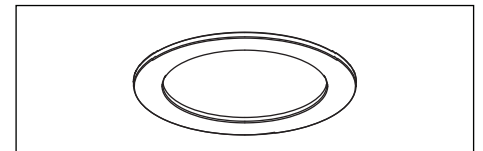
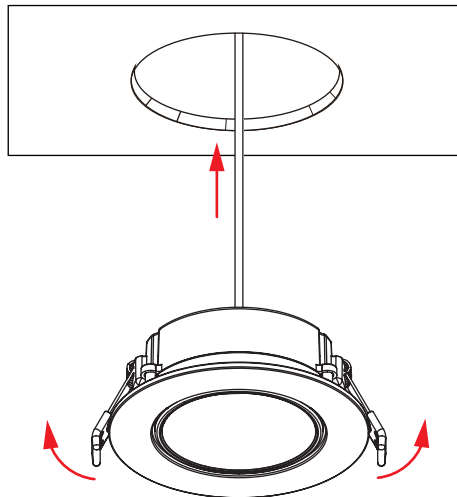
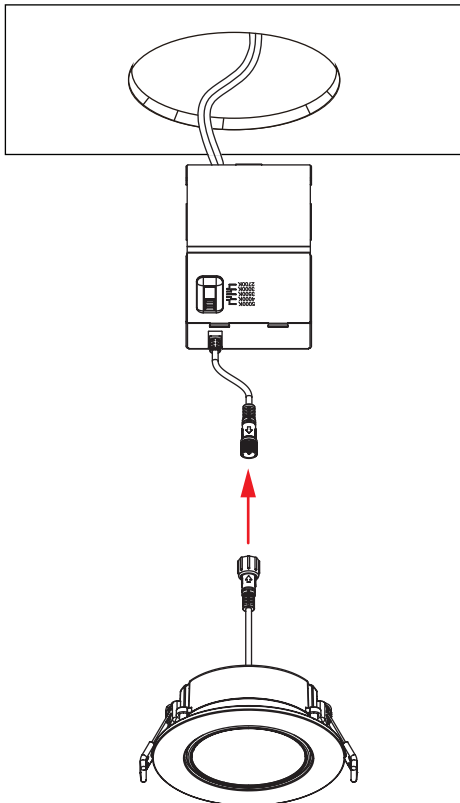
6. Place all wiring and connections back into the box and close the cover.



7. Insert driver box into ceiling in accordance with local/national codes and connect the male and female connectors. Screw threaded nut over connector to secure. Driver box shall be firmly secured to studs, joists, or similar fixed structural units.

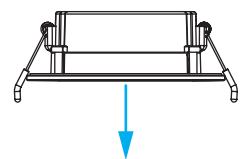
8. Lifting both retention tabs upward, push the fixture into the hole until trim sits flush with ceiling.

9. Restore power when ready.

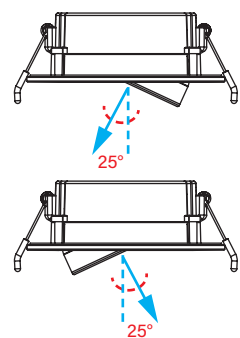


GIMBAL DOWNLIGHT ANGLE FEATURE

Normal



Angled



ORDERING INFORMATION

Catalog Number	Pack Qty.	UPC	Easy Code
KT-WDLED8-4A-9CSF-FDIM-G	1	843654154657	AZN-56
KT-WDLED8-4A-9CSF-FDIM-G-B	1	843654175652	EKO-31
KT-WDLED12-6A-9CSF-FDIM-G	1	843654154664	MNJ-26
KT-WDLED12-6A-9CSF-FDIM-G-B	1	843654175669	FJA-73