



**FUTURE FIT**  
LINEAR LED KITS WITH ALUMAGROOVE



# KT-RKIT35PS-2AG44-8XX-VDIM

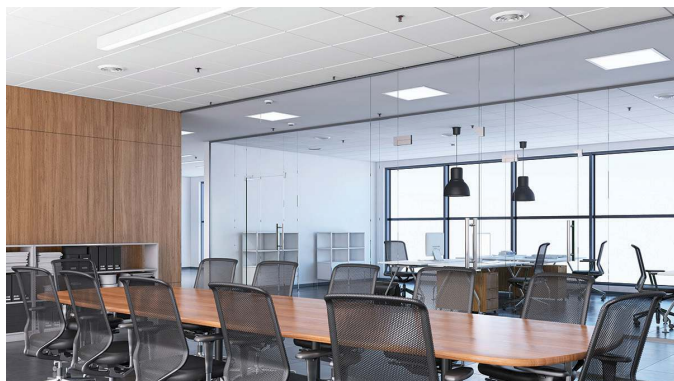
## POWER-SELECTABLE LED RETROFIT KIT



RoHS  
Compliant



**10 YEAR**  
LIMITED WARRANTY



### DESCRIPTION

UL 1598C Classified LED retrofit kit. Includes the following components:

- **(1) Power-Selectable LED Driver • (2) 44" Alumagroove LED Modules • (2) Lenses**
- **Mounting Accessories (Jumper Wires, Tek Screws, Power Quick-Disconnect)**

### APPLICATION

Suitable for use in troffers, wraps, strips, vapor tights, and other fixture types

### SYSTEM FEATURES

- Power/lumens are selectable via DIP switch
- For use in Class 2 lighting systems
- High lumen density design
- Completely heat sunked; No additional heat sinking needed to maintain LED lifetime
- UL classified for field installation
- 2835 LED chip package
- Beam angle: 120°
- Low-profile WAGO push connectors located on bottom of modules to eliminate dark spots on end-to-end connections
- 120-277V input; High power factor; 0-10V dimming
- Meets FCC Part 15 Class B (consumer) limit for EMI
- Operating temperature: -20°C/-4°F to 55°C/131°F
- THD: < 20%
- Low flicker LED driver



# KT-RKIT35PS-2AG44-8XX-VDIM

## POWER-SELECTABLE LED RETROFIT KIT

### PERFORMANCE SPECIFICATIONS

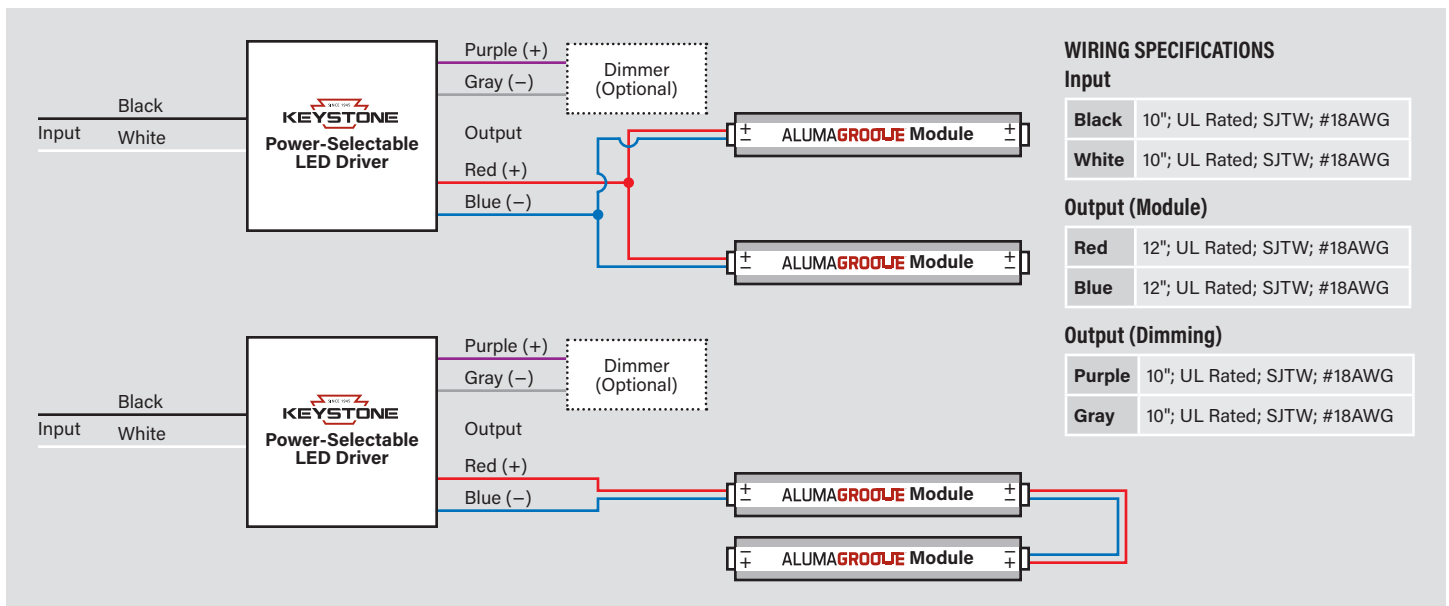
4' LINEAR KIT - 80 CRI - SWITCHABLE BETWEEN 4,000 LM, 5,000 LM, AND 6,000 LM - 0-10V DIMMING

**KIT SPECIFICATIONS:** **Driver:** KTLD-40-UV-PS1150-34-VDIM-LA1  
**Module:** KTAG-44L-1400-30-8XX-RJ  
**Lens:** KTAG-44L-LENS

Color Temp	Input Voltage	CRI	No. of Modules	Total System Drive Current	Drive Current per Module	Total System Lumens	Total Module Power	Module Efficacy	Driver Efficiency	Total System Power	Total System Efficacy
<b>Set at 4,000 lm</b>											
3500K	120-277V	>80	2	760mA	380mA	3979 lm	20.0W	199 lm/W	88%	22.7W	175 lm/W
4000K	120-277V	>80	2	760mA	380mA	4009 lm	20.0W	200 lm/W	88%	22.7W	177 lm/W
5000K	120-277V	>80	2	760mA	380mA	4049 lm	20.0W	202 lm/W	88%	22.7W	178 lm/W
<b>Set at 5,000 lm</b>											
3500K	120-277V	>80	2	960mA	480mA	4950 lm	25.6W	193 lm/W	88%	29.1W	170 lm/W
4000K	120-277V	>80	2	960mA	480mA	4987 lm	25.6W	195 lm/W	88%	29.1W	171 lm/W
5000K	120-277V	>80	2	960mA	480mA	5087 lm	25.6W	199 lm/W	88%	29.1W	175 lm/W
<b>Set at 6,000 lm*</b>											
3500K	120-277V	>80	2	1150mA	575mA	5890 lm	31.1W	190 lm/W	88%	35.3W	167 lm/W
4000K	120-277V	>80	2	1150mA	575mA	5936 lm	31.1W	191 lm/W	88%	35.3W	168 lm/W
5000K	120-277V	>80	2	1150mA	575mA	6036 lm	31.1W	194 lm/W	88%	35.3W	171 lm/W

\* Default setting

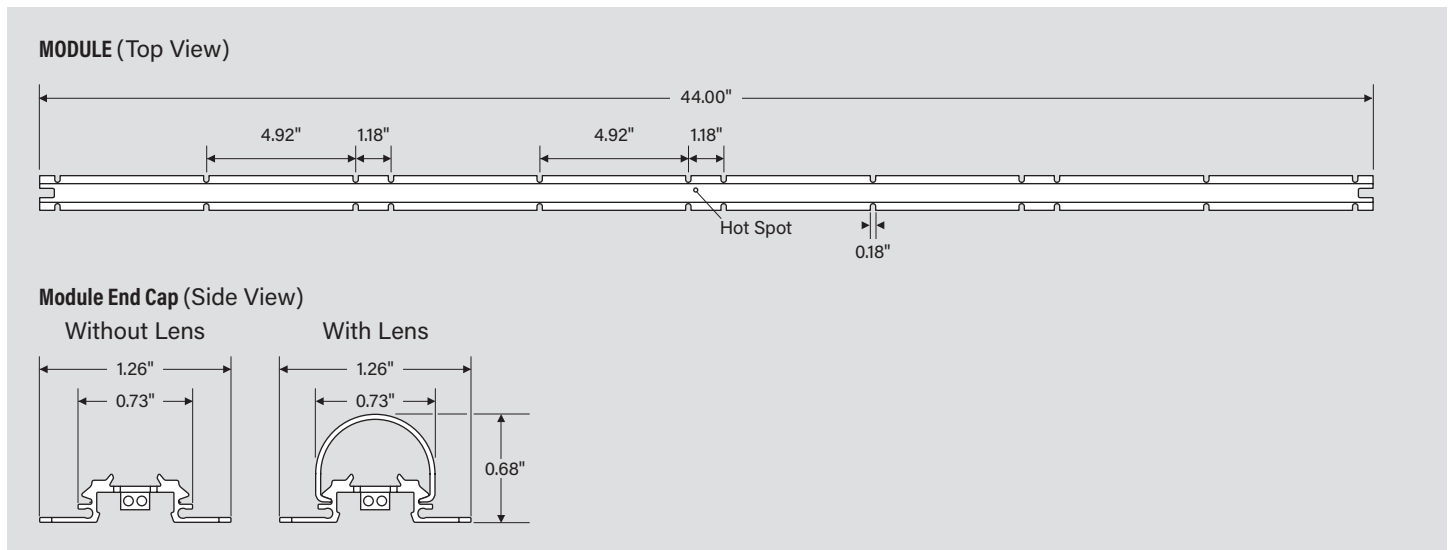
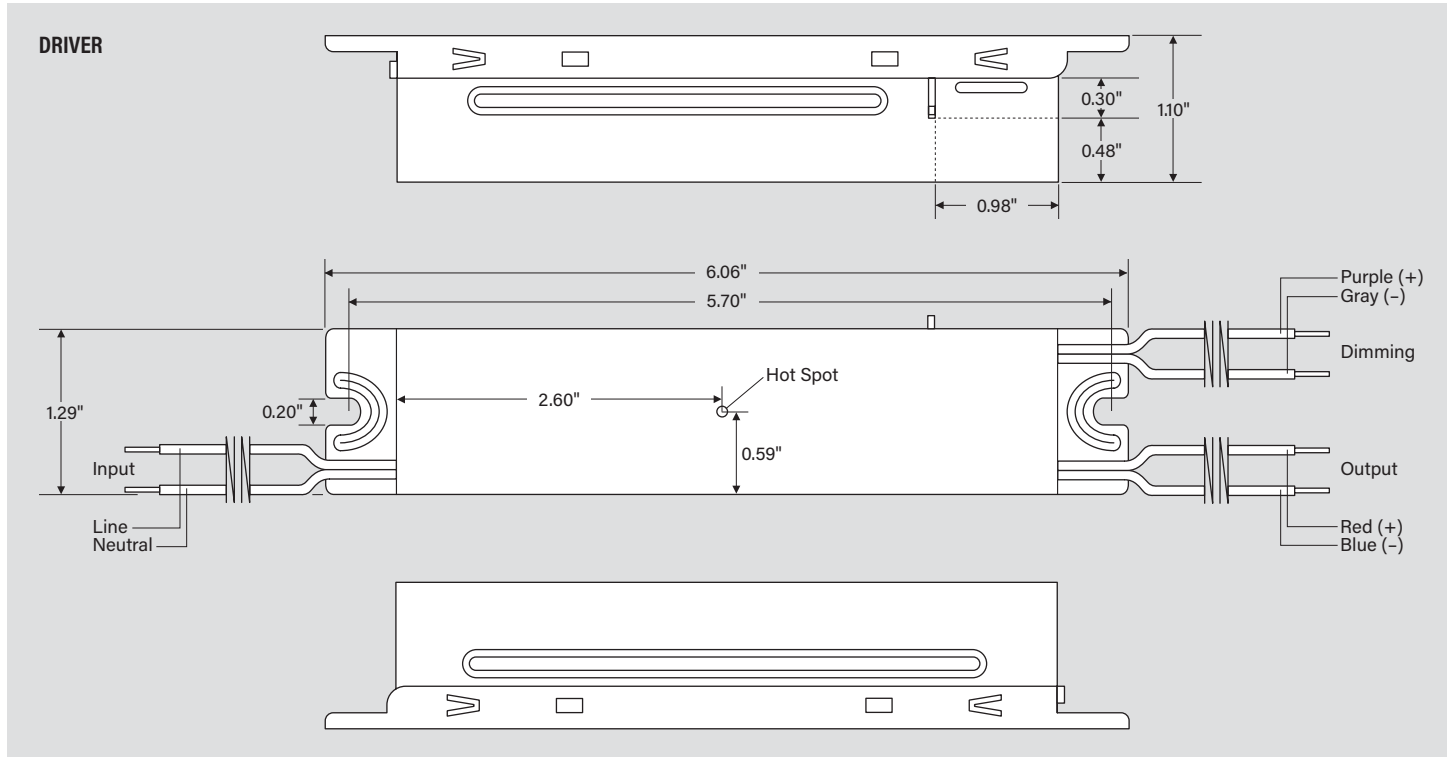
### WIRING



# KT-RKIT35PS-2AG44-8XX-VDIM

## POWER-SELECTABLE LED RETROFIT KIT

### PHYSICAL SPECIFICATIONS





# KT-RKIT35PS-2AG44-8XX-VDIM

## POWER-SELECTABLE LED RETROFIT KIT

**ORDERING INFORMATION**

ORDER CODE	PACK QTY.	UPC	EASY CODE	DLC PRODUCT ID
KT-RKIT35PS-2AG44-835-VDIM	20	843654128146	PHG-10	PES3AHE3
KT-RKIT35PS-2AG44-840-VDIM	20	843654128153	MLL-80	P48I0H95
KT-RKIT35PS-2AG44-850-VDIM	20	843654128160	TGE-36	PDBMQJ09

**CATALOG NUMBER BREAKDOWN**

# KT-RKIT35PS-2AG44-8XX-VDIM

1
2
3
4
5
6
7
8
9

- 1** Keystone Technologies
- 2** Retrofit Kit
- 3** Wattage
- 4** Power Select
- 5** Number of Modules
- 6** 11" Alumagroove Modules
- 7** 80 CRI
- 8** Color Temperature
- 9** 0-10V Dimming