



# DIRECT DRIVE LED

LINE VOLTAGE T8 TUBES

## KT-LED36T8-96P-850-D

T8 LED LAMP

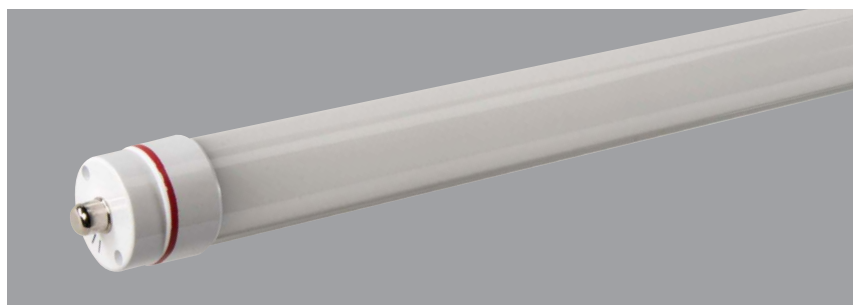
### DESCRIPTION

36W T8 LED | 5000K | > 80 CRI | High-Efficiency | 8-Foot



**10 YEAR**  
LIMITED WARRANTY

<b>LAMP TYPE:</b> Linear
<b>BULB TYPE:</b> T8 LED
<b>BASE TYPE:</b> Fa8 (Single-Pin)
<b>WATTAGE:</b> 36W
<b>COLOR TEMPERATURE:</b> 5000K
<b>COLOR RENDERING INDEX (CRI):</b> > 80
<b>WARRANTY:</b> 10 Year Limited



### PRODUCT FEATURES

- Replacement for conventional T8/T12 8-foot single-pin fluorescent lamp
- Double-ended line voltage wiring: Connect power to each end for simplified installation
- Approximately 50% more energy efficient than standard F96T12 lamps
- Environmentally friendly: No mercury used
- Instant startup
- Includes 2 C-clips to be installed with the lamps into the fixture ballast cover to prevent any potential undesired lamp twisting or sagging
- Frosted lens eliminates pixelation
- UL Classified
- Operating temperature: -20°C/-4°F to 55°C/131°F
- Integral driver (Isolated) eliminates the need for external driver or ballast
- 100+ lumens per watt
- 50,000+ hour lifetime
- Plastic lens with aluminum backing

### OPERATING SPECIFICATIONS

#### ELECTRICAL CHARACTERISTICS

Input Voltage	Power Consumption	Power Factor	Input Current
120-277Vac	36W	>0.9	0.30A @ 120V 0.14A @ 277V

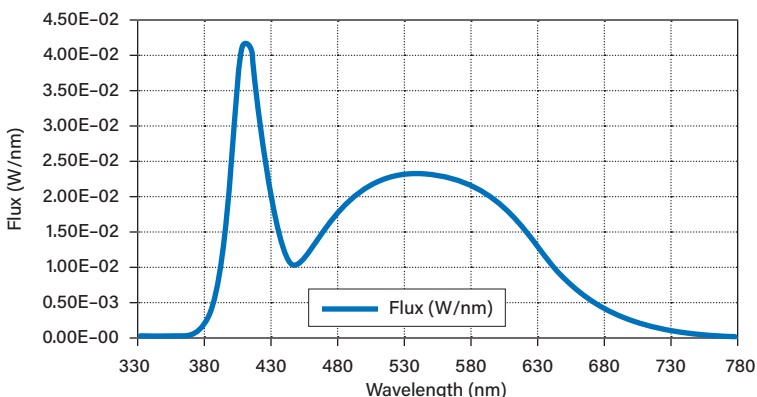
#### PHOTOMETRIC CHARACTERISTICS

Color Temperature (CCT)	5000K
Luminous Flux	4000 lm
Color Rendering Index (CRI)	>80
Efficacy	111 lm/W
Beam Angle	120°

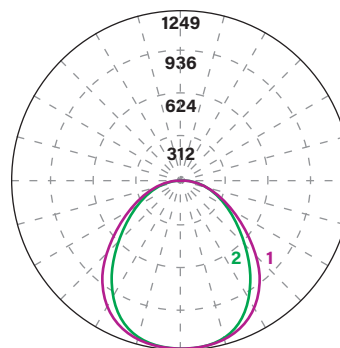
#### RATED LIFE

L70 (Hours)	50,000
-------------	--------

#### SPECTRAL DISTRIBUTION



#### POLAR CANDELA DISTRIBUTION



Located at:  
Horizontal Angle = 0  
Vertical Angle = 0

1 Violet Vertical Plane through Horizontal Angles (90-270)

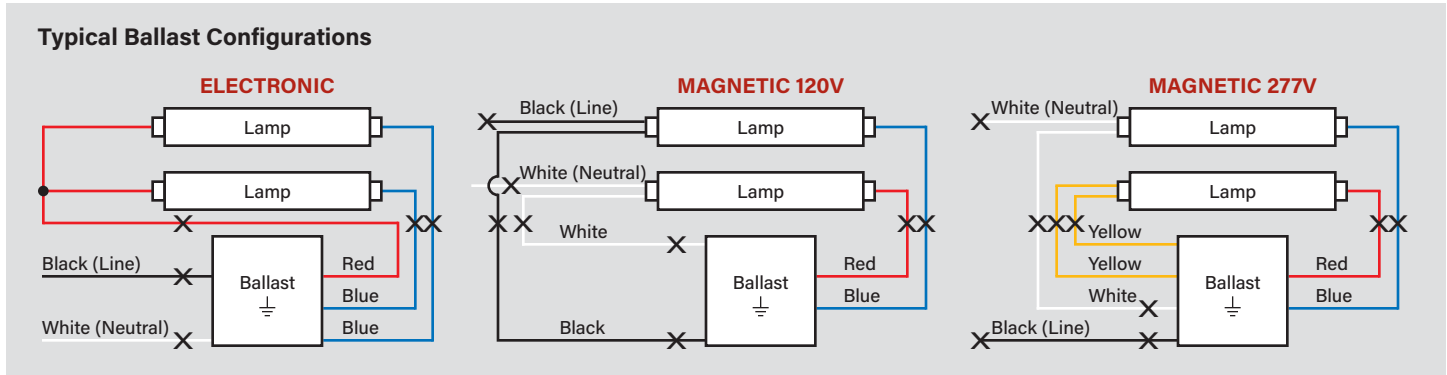
2 Green Vertical Plane through Horizontal Angles (0-180)

## KT-LED36T8-96P-850-D

### T8 LED LAMP

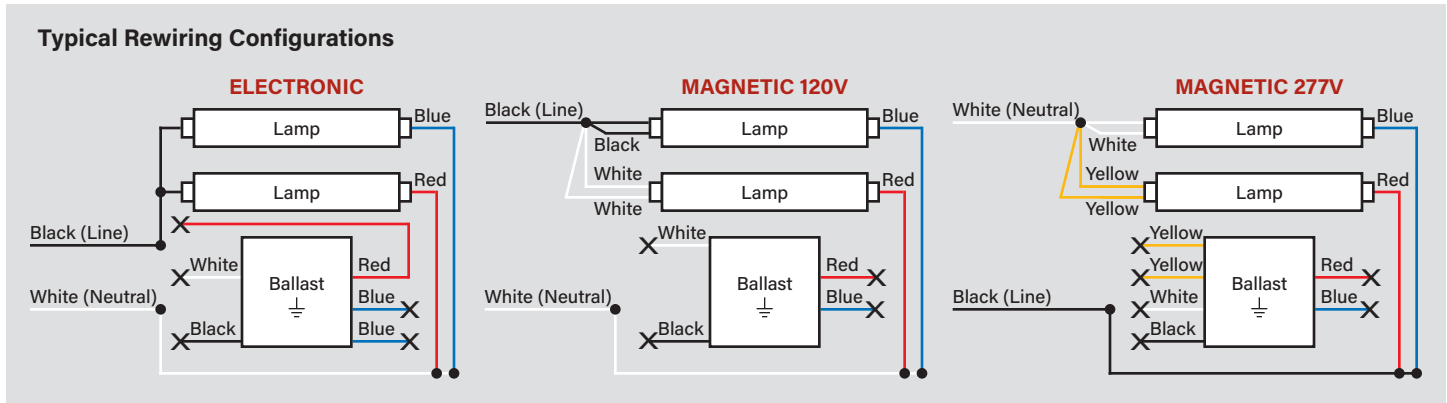
#### WIRING INSTRUCTIONS

1. Identify ballast configuration as shown below and cut all wires connected to the ballast accordingly.

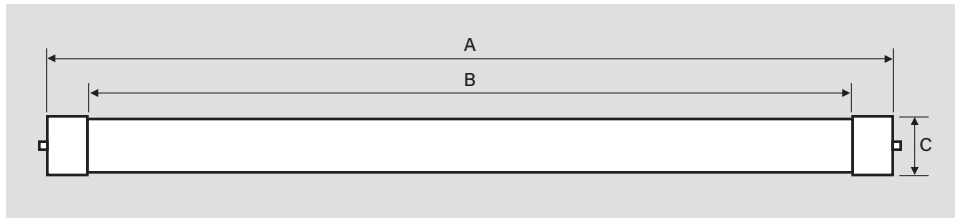


2. Confirm that the lampholders in the fixture are single-pin Fa8 lampholders. These DirectDrive LED tubes require single-pin Fa8 lampholders.

3. Rewire the fixture using existing lampholders, as shown below, according to the original ballast wiring configuration.



#### PHYSICAL CHARACTERISTICS



#### LAMP DIMENSIONS

<b>A (Body Length)</b>	93.31"
<b>B (Illuminated Length)</b>	91.50"
<b>C (Cross-section: Width x Height)</b>	1.08" x 1.31"

**NOMINAL LENGTH:** 96"

**BASE TYPE:** Fa8 (Single-Pin)



# KT-LED36T8-96P-850-D

T8 LED LAMP

## ORDERING INFORMATION

ORDER CODE	PACKAGING STYLE	PACK QTY.	ITEM STATUS
KT-LED36T8-96P-850-D-DP	Distributor Pack (Individual Cartons)	20	Quick Ship

## CATALOG NUMBER BREAKDOWN

# KT-LED36T8-96P-850-D-DP

1 2 3 4 5 6 7 8 9 10

- 1 Keystone Technologies
- 2 LED Lamp
- 3 Wattage
- 4 Lamp Type
- 5 Nominal Length (Inches)
- 6 Plastic/Aluminum Case
- 7 800 Series
- 8 Color Temperature
- 9 Direct Drive Series
- 10 Packaging Style