



SINCE 1945

KEYSTONE

LIGHT MADE EASY®

SMART LOOP

WIRELESS CONTROLS

JANUARY 2023

Meet the SmartLoop Family

Wall Switch Keypad

KTSL-WS1-B-SG /G2

A simple, battery powered wireless keypad for your entire space, providing flexible control of your system, with on/off, dimming, and scene control.



Fixture Controller

KTSL-FC1-UV-KO

Add this wireless controller to control either a single fixture or group of fixtures together on the same circuit.



Fixture Controller with Remote Mount Sensor

KTSL-FC1-UV-KO-PIR

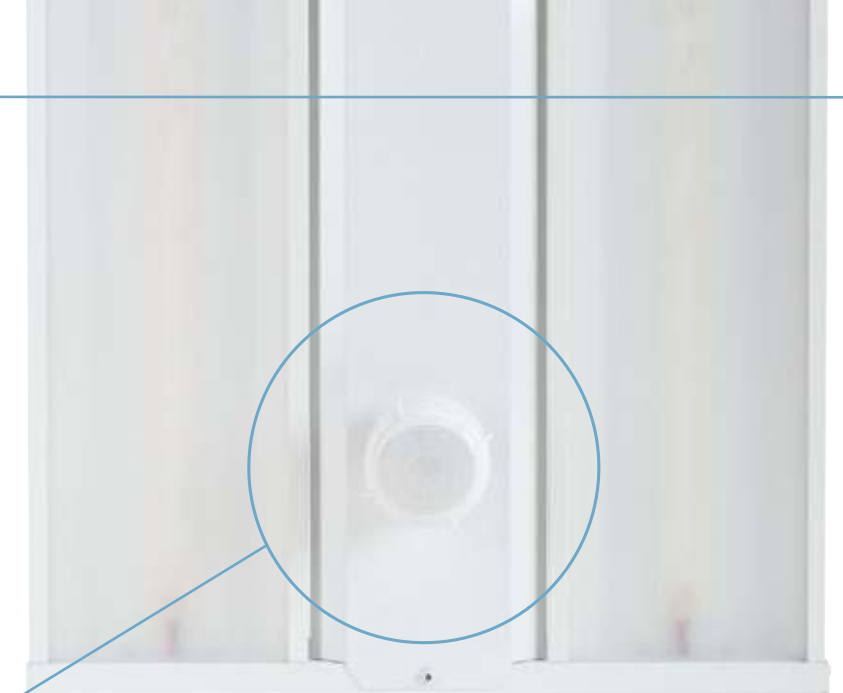
All the benefits of a standard fixture controller, but with a remote mount sensor to enable occupancy/vacancy/daylight harvesting to a fixture or group of fixtures.



Screw-In Fixture Controller with Integrated Sensor

KTSL-FC3-12V-PKO-PIR

For fixtures that utilize SmartPort sensor/receptacle technology, this controller with integrated daylight and PIR motion sensor is ideal for high bay applications, such as warehouses, gyms, and parking garages.



Smartphone App iPhone and Android

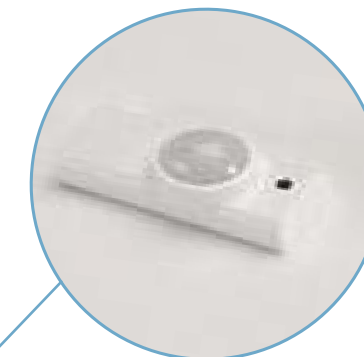
Available through the iPhone or Android store, the Keystone SmartLoop app can program and operate your system from any smartphone.



Fixture Controller with Integrated Sensor

KTSL-FC2-12V-SM-PIR

For use with fixtures having a 12V AUX tap. They're ideal for individual fixture level control and sensing needs with mounting heights less than 16'.



USB Time Keeper

KTSL-TK1-USB

A module that plugs into any powered USB port to maintain and restore SmartLoop schedules to devices in case of a power outage.



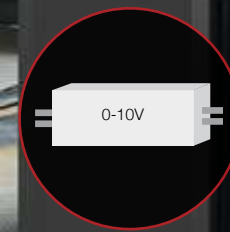
Wireless light made easy.

Keystone brings the ease of wireless control to everyone.

Wireless technology gives you the power of automation, saves on labor and materials, and makes setting up lighting control easy.

SmartLoop is powerful enough to run a space with multiple zones, but simple enough to program in minutes with your phone—perfect for warehouses, offices, schools, and auditoriums, whether new construction or retrofit.

It's the complete solution.



Easy to Commission

SmartLoop is simple to put to work. Pairing is a snap and setting up your controls can be done in minutes, directly on your smartphone.

Versatile and Flexible

From zone to individual fixture control, easily adjust spaces with the SmartLoop app, which supports up to 100 devices on a single region, with unlimited regions.

Enhanced Daylighting Logic Built in

With enhanced daylighting built into each sensor, you can easily add energy savings of 40% or more.

0-10V Compatibility

SmartLoop works with 0-10V-based lighting technology, so whether you're retrofitting or designing for new installation work, SmartLoop can handle your needs.

Safe and Secure

A Bluetooth mesh network with no gateway requirement means there are no company passwords or confidential information stored. Your data is safe and secure.

Comfort and Flexibility

Create comfortable, well-lit spaces with significant energy savings. With SmartLoop's intuitive controls, facility managers and tenants can easily adjust settings or reconfigure spaces without calling back an installer.

How It Works



Typical Application:

Room Level



One space, one solution

SmartLoop offers faster labor and easy operation for small spaces. There's no pulling control wires down a wall and back to a switch. One wall control can dim and use pre-set scenes.



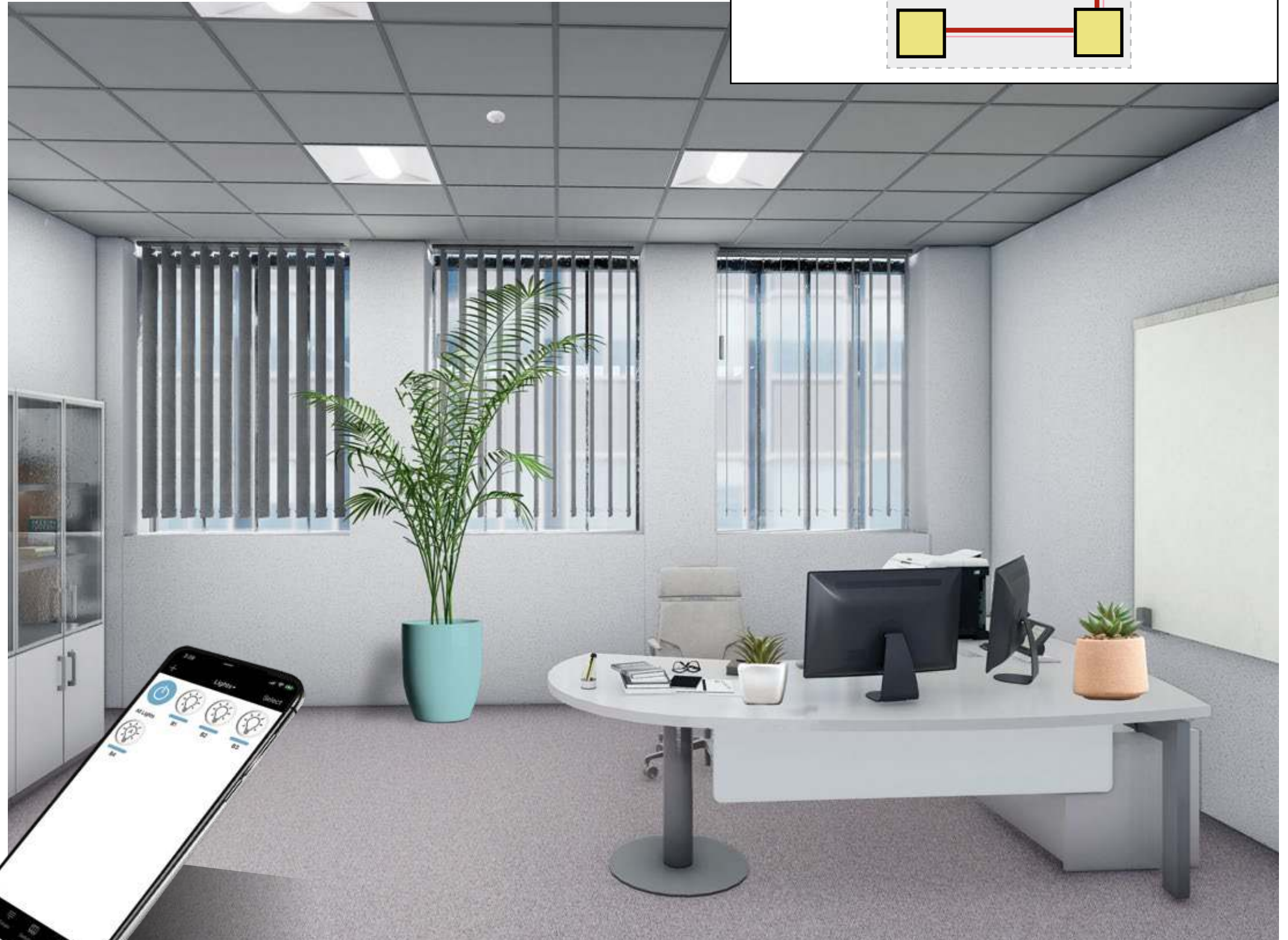
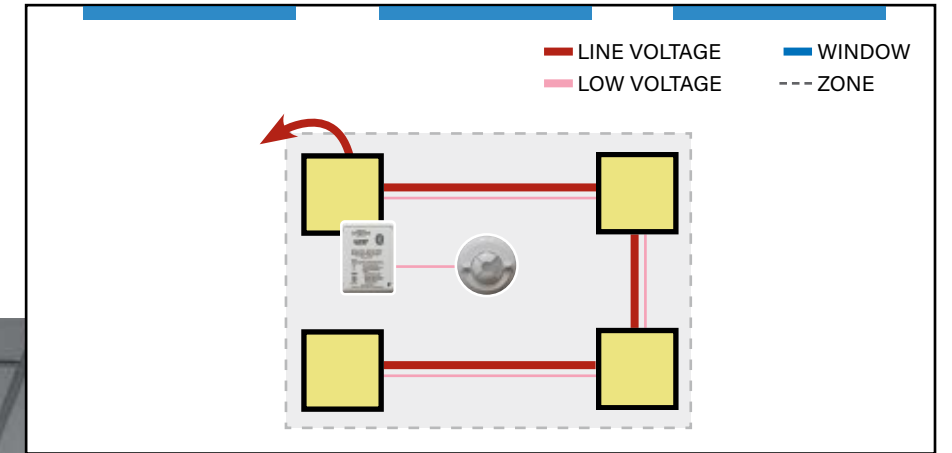
FIXTURE CONTROLLER WITH REMOTE MOUNT SENSOR
KTSL-FC1-UV-KO-PIR



WIRELESS WALL SWITCH KEYPAD
KTSL-WS1-B-SG /G2



Easily add an occupancy/vacancy sensor to turn lights on when someone enters, and shut lights off when nobody is present.



Typical Application:

Zone Control



Flexibility is standard

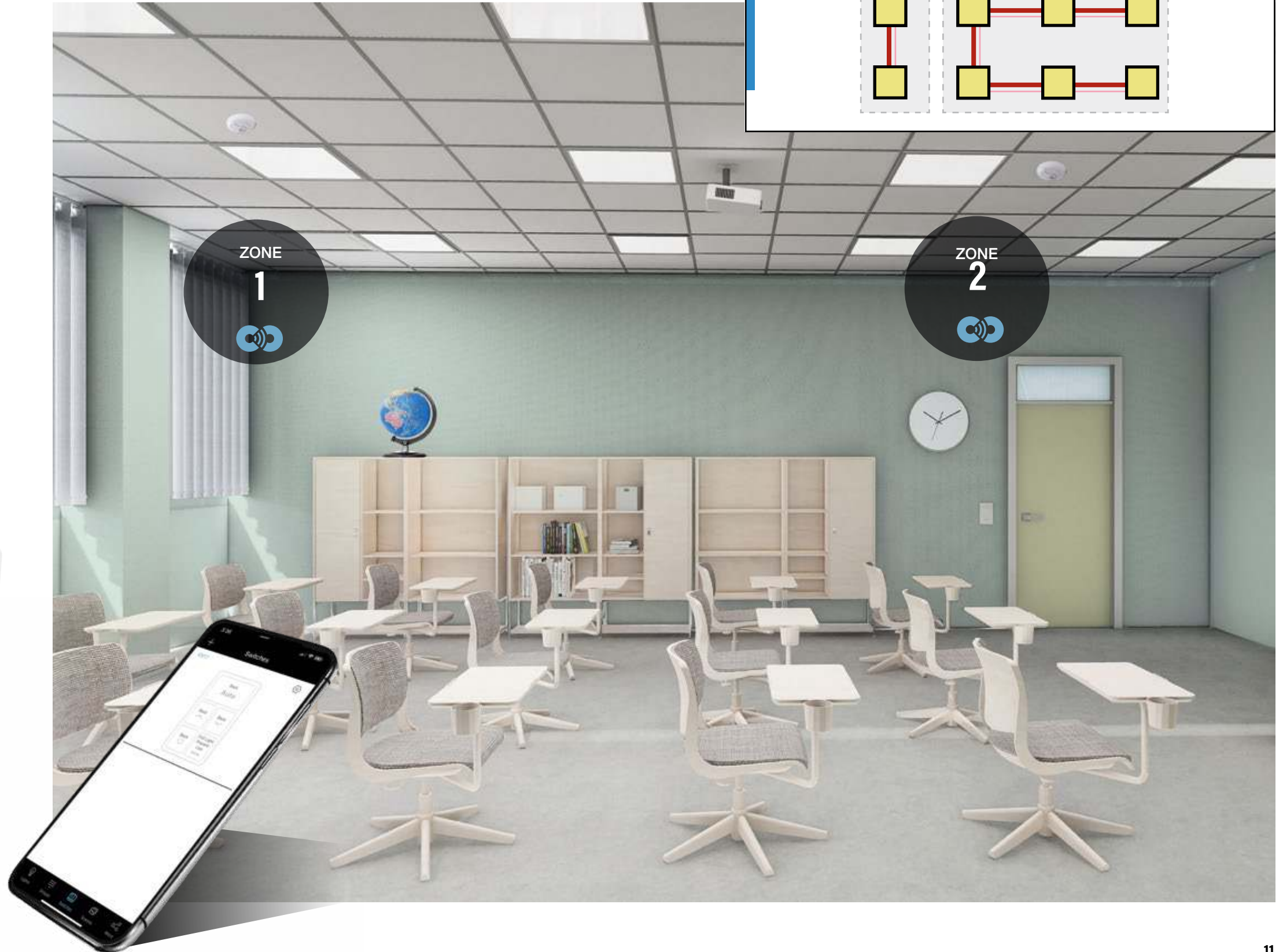
Save energy and set up scenes for optimal use. SmartLoop reduces labor and eliminates wiring mistakes with its simple, wireless programming. And it shapes your space for your needs with the single touch of a button, whether it's adjusting lighting throughout your space to making the most of natural light—or darkening the space for a presentation. SmartLoop handles it all.



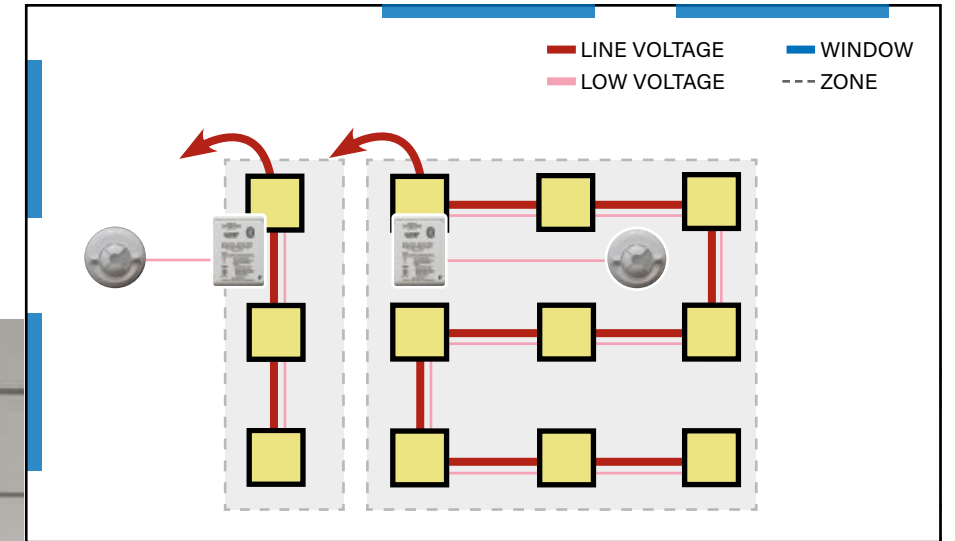
FIXTURE CONTROLLER WITH REMOTE MOUNT SENSOR
KTSL-FC1-UV-KO-PIR



WIRELESS WALL SWITCH KEYPAD
KTSL-WS1-B-SG /G2



Advanced daylighting allows you to save energy and maximize available natural light.



Typical Application:

Individual Fixture Control

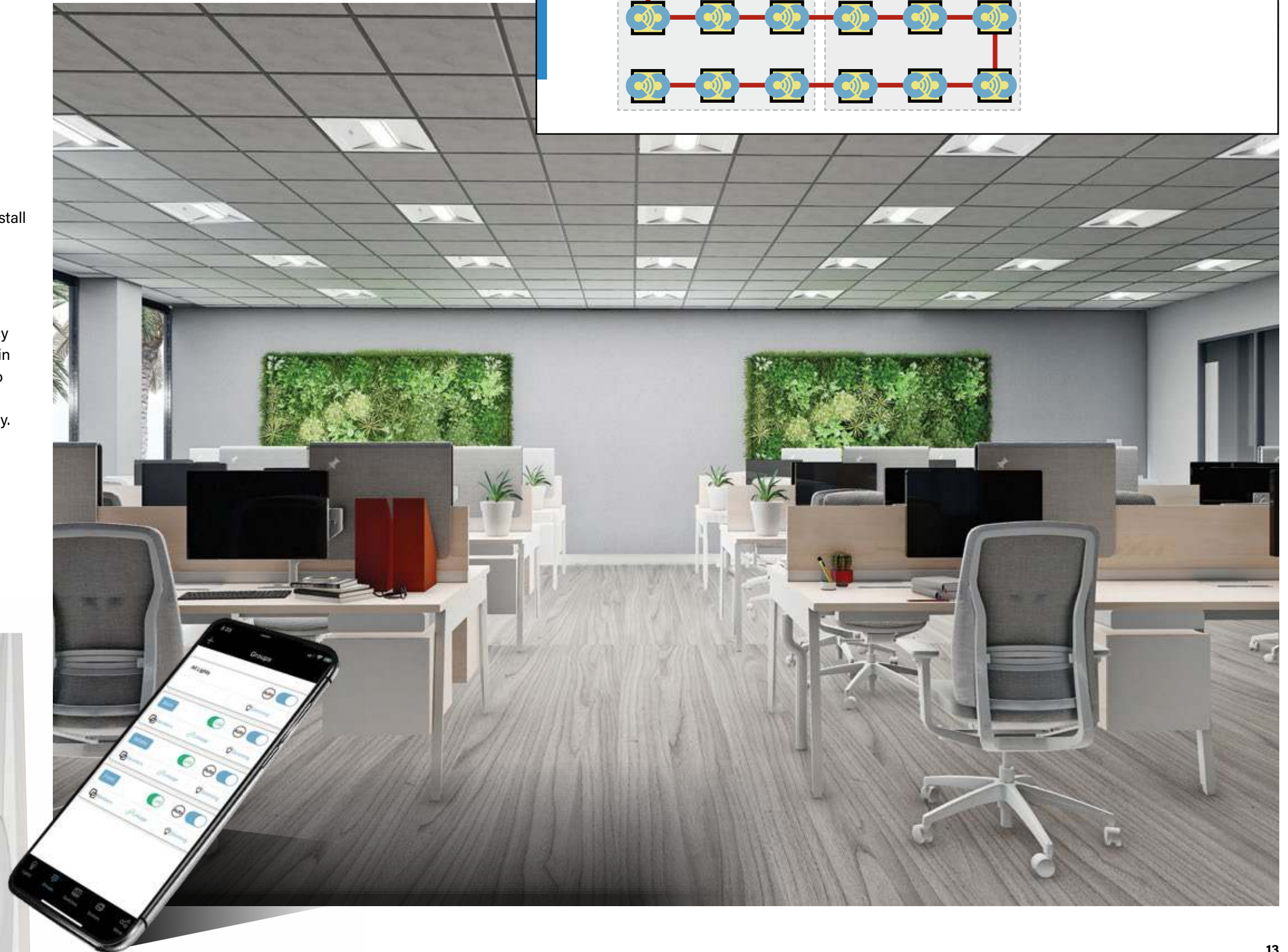
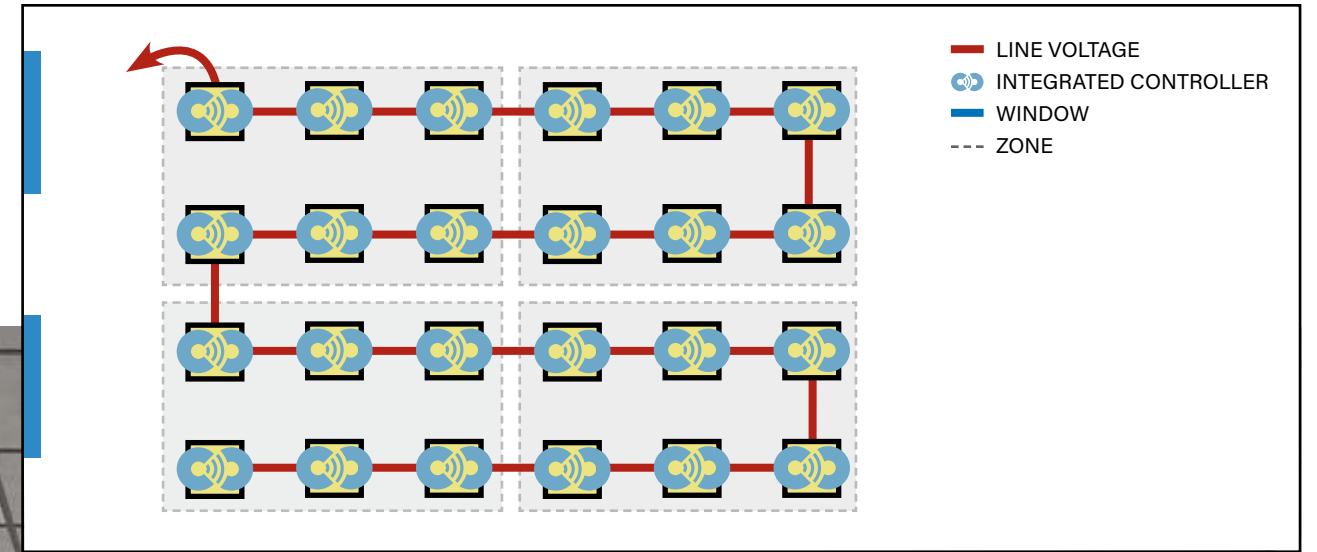
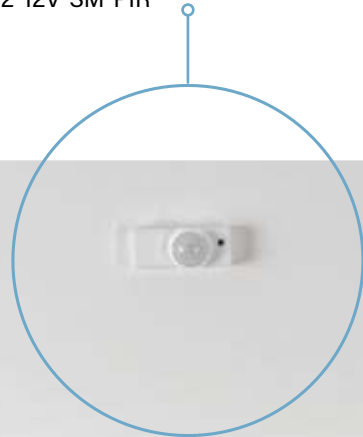


Powerful, customized operation

No new wiring needed: Simply install integrated fixtures and a wireless keypad to create the control you want. No pulling control wires, either.

You can optimize energy efficiency by connecting individual fixtures in unique groups. And if you need to change your setup, SmartLoop is ready to adjust—quickly and easily.

FIXTURE CONTROLLER WITH INTEGRATED SENSOR
KTSL-FC2-12V-SM-PIR



Typical Application:

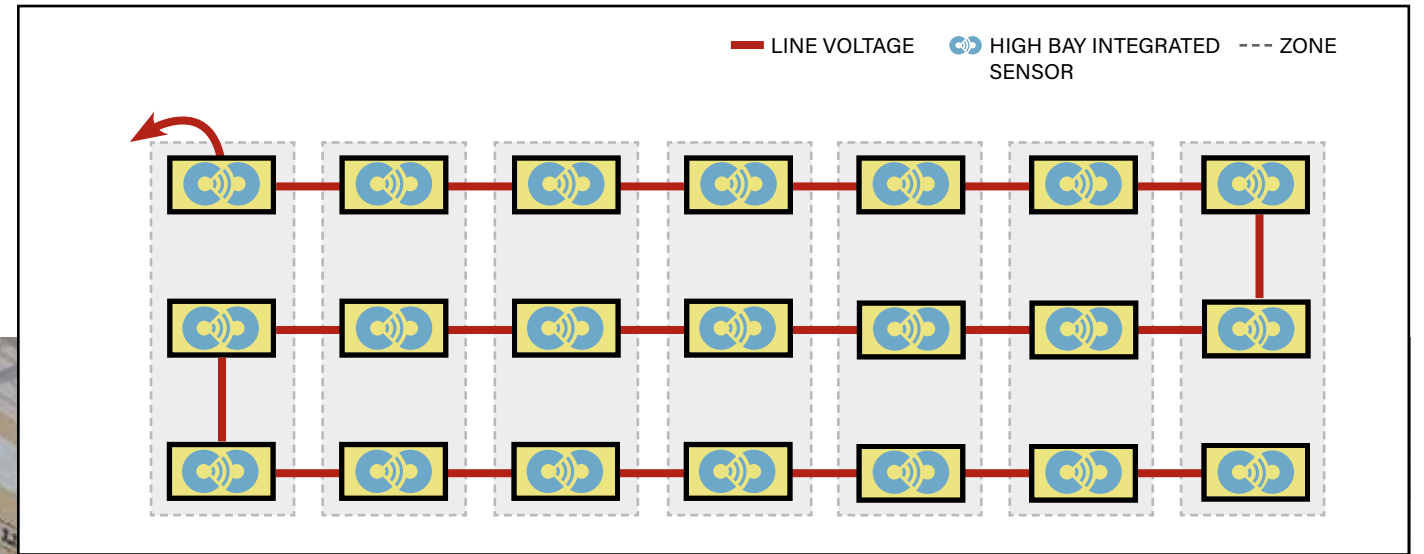
High Bays



Out of sight, out of mind

Warehouse high bays can be trouble to set up—and even more trouble to adjust. With its powerful wireless controllers, SmartLoop installs easily—just screw in compatible Keystone products—and commissions quickly, eliminating the need to climb on a scissor lift to set up. The SmartLoop app makes it easy to quickly set up schedules to turn lights on and off to meet your needs.

SCREW-IN FIXTURE CONTROLLER WITH INTEGRATED SENSOR
KTSL-FC3-12V-PKO-PIR



Simple Setup

Pairing, commissioning, and operating is as easy as using the SmartLoop app.

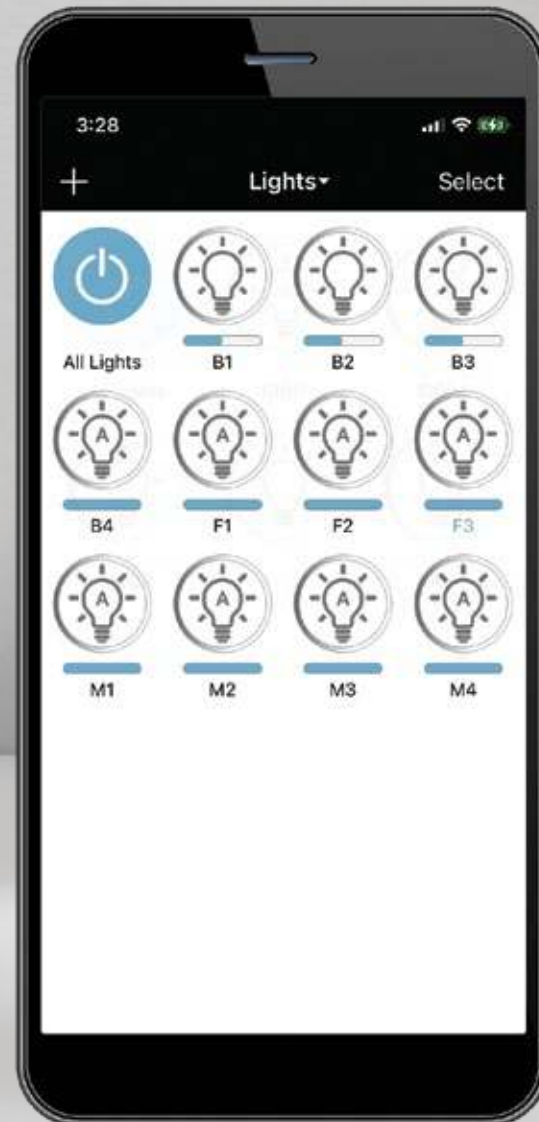


Setup with SmartLoop takes just a few minutes

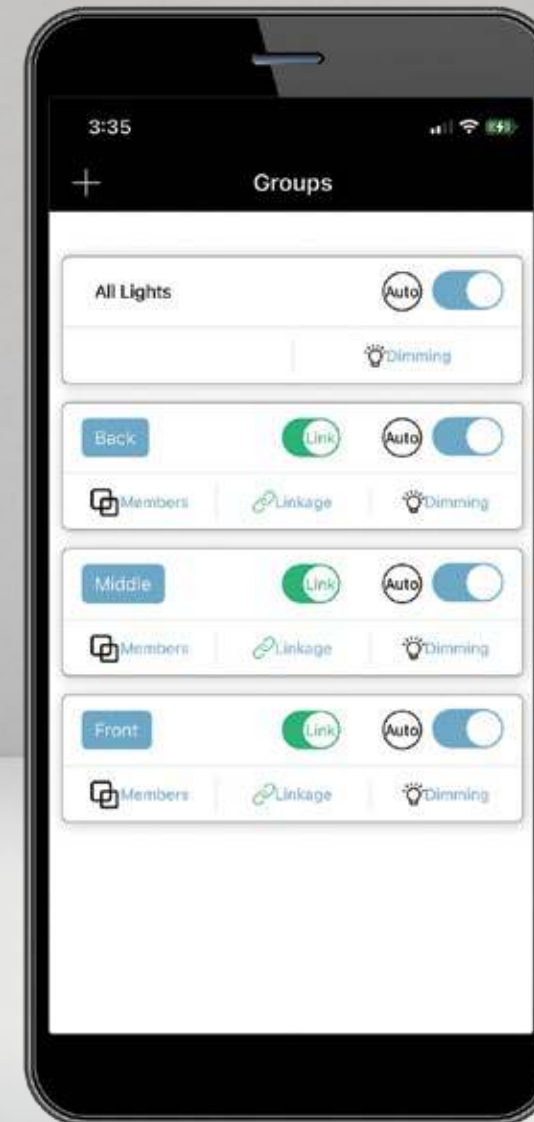
Download the app and use the generated QR code to get started.

Want to let SmartLoop optimize your space? With Auto mode, sensors automatically read light levels and determine how to best illuminate it.

Add Lights



Create Groups



Add Keypads



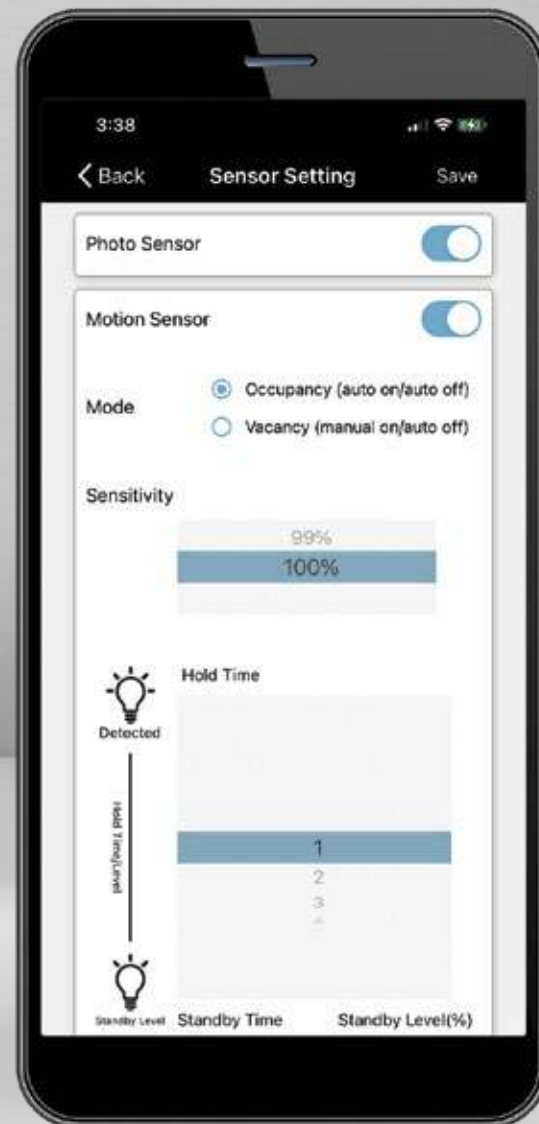
Additional Functionality



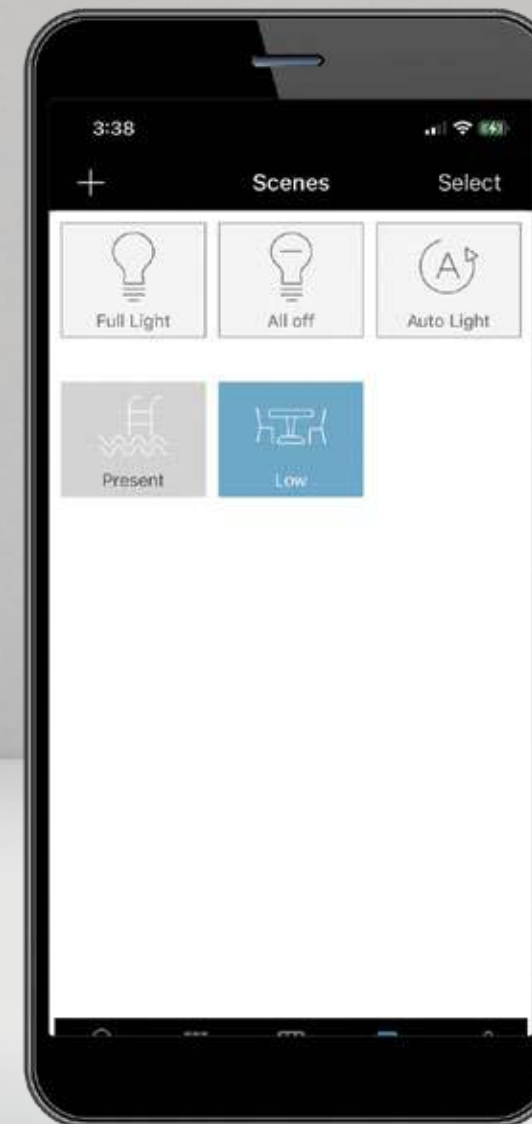
Easily fine tune the smallest details

SmartLoop provides a full suite of features to customize your lighting needs for any space. Need a specific lighting level or set schedule? Looking to create an advanced layout? With SmartLoop, lighting is at your command.

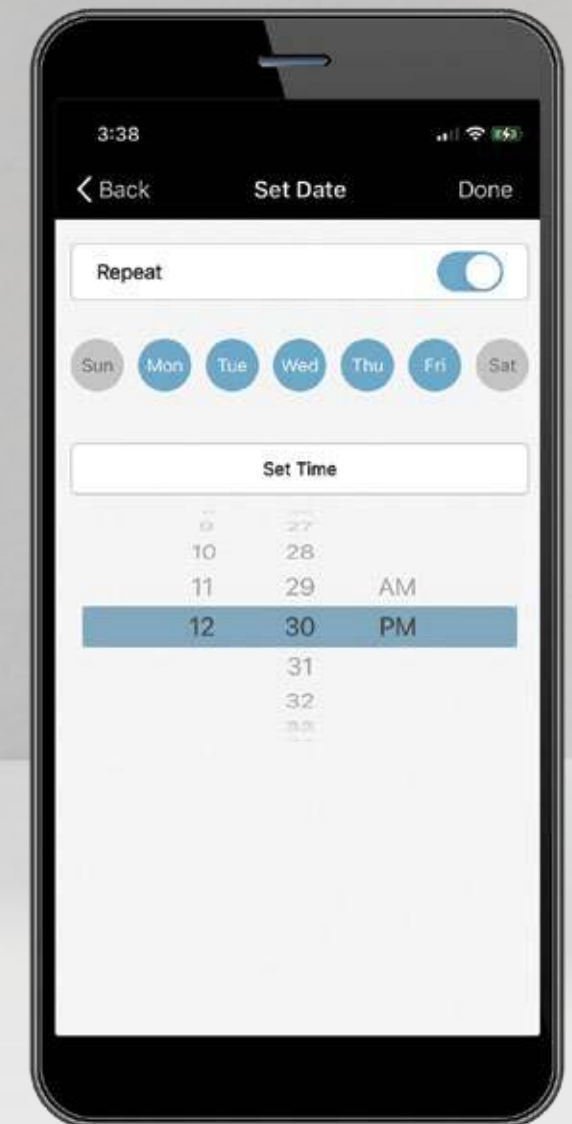
Adjust Sensor Settings



Create Scenes



Create Schedules



Integrated Fixtures

Lighting control is built right in

With SmartLoop, scheduling, light sensing, and motion sensing can all be controlled wirelessly, meaning lower electricity costs and greater ROI.



Center Basket Troffer
1x4, 2x2, 2x4

Back-lit Panel
2x2, 2x4



Retrofit Kit - Center Basket Troffer
1x4, 2x2, 2x4



Micro Strip
2', 4', 8'



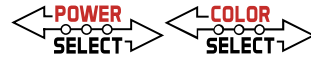
Curved Wrap
4'



SmartLoop Integrated Fixture Options



Center Basket Troffer



CATALOG NUMBER	NOMINAL SIZE	SELECTABLE WATTAGE	SELECTABLE CCT	LUMENS	EFFICACY	INPUT VOLTAGE	DIMMABLE	DLC	CRI
KT-CBLED35PS-14B-8CSA-VDIM /FC2	1'x4'	35W	3500K	4375	125 lm/W	120-277V	0-10V	Yes	>80
			4000K	4410	126 lm/W				
			5000K	4445	127 lm/W				
		30W	3500K	3900	130 lm/W				
			4000K	3930	131 lm/W				
			5000K	3960	132 lm/W				
		24W	3500K	3192	133 lm/W				
			4000K	3216	134 lm/W				
			5000K	3240	135 lm/W				
KT-CBLED24PS-22B-8CSA-VDIM /FC2	2'x2'	24W	3500K	3072	128 lm/W	120-277V	0-10V	Yes	>80
			4000K	3096	129 lm/W				
			5000K	3120	130 lm/W				
		18W	3500K	2412	134 lm/W				
			4000K	2430	135 lm/W				
			5000K	2448	136 lm/W				
		15W	3500K	2055	137 lm/W				
			4000K	2070	138 lm/W				
			5000K	2085	139 lm/W				
KT-CBLED35PS-22B-8CSA-VDIM /FC2	2'x2'	35W	3500K	4480	128 lm/W	120-277V	0-10V	Yes	>80
			4000K	4515	129 lm/W				
			5000K	4550	130 lm/W				
		30W	3500K	3930	131 lm/W				
			4000K	3960	132 lm/W				
			5000K	3990	133 lm/W				
		24W	3500K	3216	134 lm/W				
			4000K	3240	135 lm/W				
			5000K	3264	136 lm/W				
KT-CBLED30PS-24B-8CSA-VDIM /FC2	2'x4'	30W	3500K	3840	128 lm/W	120-277V	0-10V	Yes	>80
			4000K	3870	129 lm/W				
			5000K	3900	130 lm/W				
		25W	3500K	3350	134 lm/W				
			4000K	3375	135 lm/W				
			5000K	3400	136 lm/W				
		20W	3500K	2740	137 lm/W				
			4000K	2760	138 lm/W				
			5000K	2780	139 lm/W				
KT-CBLED45PS-24B-8CSA-VDIM /FC2	2'x4'	45W	3500K	5760	128 lm/W	120-277V	0-10V	Yes	>80
			4000K	5805	129 lm/W				
			5000K	5850	130 lm/W				
		38W	3500K	4978	131 lm/W				
			4000K	5016	132 lm/W				
			5000K	5054	133 lm/W				
		30W	3500K	4110	137 lm/W				
			4000K	4140	138 lm/W				
			5000K	4170	139 lm/W				

SmartLoop Integrated Fixture Options



Back-lit Panel



CATALOG NUMBER	NOMINAL SIZE	SELECTABLE WATTAGE	SELECTABLE CCT	LUMENS	EFFICACY	INPUT VOLTAGE	DIMMABLE	DLC	CRI
KT-BPLED40PS-22B-8CSA-VDIM /FC2	2'x2'	40W	3500K	4400	110 lm/W	120-277V	0-10V	Yes	>80
			4000K	4500	113 lm/W				
			5000K	4450	111 lm/W				
		30W	3500K	3400	111 lm/W				
			4000K	3500	117 lm/W				
			5000K	3450	115 lm/W				
		20W	3500K	2400	111 lm/W				
			4000K	2500	125 lm/W				
			5000K	2450	123 lm/W				
KT-BPLED50PS-24B-8CSA-VDIM /FC2	2'x4'	50W	3500K	5850	117 lm/W	120-277V	0-10V	Yes	>80
			4000K	6200	124 lm/W				
			5000K	5900	118 lm/W				
		40W	3500K	4850	121 lm/W				
			4000K	5200	120 lm/W				
			5000K	4900	123 lm/W				
		20W	3500K	3850	128 lm/W				
			4000K	4200	140 lm/W				
			5000K	3900	130 lm/W				



Curved Wrap



CATALOG NUMBER	NOMINAL SIZE	SELECTABLE WATTAGE	SELECTABLE CCT	LUMENS	EFFICACY	INPUT VOLTAGE	DIMMABLE	DLC	CRI
KT-CWLED44PS-4-8CSA-VDIM /FC2	4ft	44W	3500K	5984	136 lm/W	120-277V	0-10V	Yes	>80
			4000K	6072	138 lm/W				
			5000K	6116	139 lm/W				
		28W	3500K	4004	143 lm/W				
			4000K	4032	144 lm/W				
			5000K	4060	145 lm/W				
		18W	3500K	2628	146 lm/W				
			4000K	2646	147 lm/W				
			5000K	2664	148 lm/W				

SmartLoop Integrated Fixture Options



Micro Strip  

CATALOG NUMBER	NOMINAL SIZE	SELECTABLE WATTAGE	SELECTABLE CCT	LUMENS	EFFICACY	INPUT VOLTAGE	DIMMABLE	DLC	CRI
KT-MSLED25PS-2-8CSA-VDIM /FC2	2ft	25W	3500K	3250	130 lm/W	120-277V	0-10V	Yes	>80
			4000K	3275	131 lm/W				
			5000K	3300	132 lm/W				
		20W	3500K	2720	136 lm/W				
			4000K	2740	137 lm/W				
			5000K	2760	138 lm/W				
		15W	3500K	2085	139 lm/W				
			4000K	2100	140 lm/W				
			5000K	2115	141 lm/W				
KT-MSLED44PS-4-8CSA-VDIM /FC2	4ft	44W	3500K	5808	132 lm/W	120-277V	0-10V	Yes	>80
			4000K	5852	133 lm/W				
			5000K	5896	134lm/W				
		28W	3500K	3892	139 lm/W				
			4000K	3920	140 lm/W				
			5000K	3948	141 lm/W				
		18W	3500K	2556	142 lm/W				
			4000K	2574	143 lm/W				
			5000K	2592	144 lm/W				
KT-MSLED90PS-8-8CSA-VDIM /FC2	8ft	90W	3500K	11880	132 lm/W	120-277V	0-10V	Yes	>80
			4000K	11970	133 lm/W				
			5000K	12060	134 lm/W				
		75W	3500K	10125	135 lm/W				
			4000K	10200	136 lm/W				
			5000K	10275	137 lm/W				
		54W	3500K	7668	142 lm/W				
			4000K	7722	143 lm/W				
			5000K	7776	144 lm/W				

SmartLoop Integrated Fixture Options



Retrofit Kit - Center Basket Troffer  

CATALOG NUMBER	NOMINAL SIZE	SELECTABLE WATTAGE	SELECTABLE CCT	LUMENS	EFFICACY	INPUT VOLTAGE	DIMMABLE	DLC	CRI
KT-RKIT35PS-14DB-8CSA-VDIM /FC2	1'x4'	35W	3500K	4375	125 lm/W	120-277V	0-10V	Yes	>80
			4000K	4410	126 lm/W				
			5000K	4445	124 lm/W				
		30W	3500K	3840	128 lm/W				
			4000K	3870	129 lm/W				
			5000K	3900	130 lm/W				
		24W	3500K	3144	131 lm/W				
			4000K	3168	132 lm/W				
			5000K	3192	133 lm/W				
KT-RKIT24PS-22DB-8CSA-VDIM /FC2	2'x2'	24W	3500K	3,000	125 lm/W	120-277V	0-10V	Yes	>80
			4000K	3,024	126 lm/W				
			5000K	3,048	127 lm/W				
		18W	3500K	2,358	131 lm/W				
			4000K	2,376	132 lm/W				
			5000K	2,394	133 lm/W				
		15W	3500K	2,010	134 lm/W				
			4000K	2,025	135 lm/W				
			5000K	2,040	136 lm/W				
KT-RKIT35PS-22DB-8CSA-VDIM /FC2	2'x2'	35W	3500K	4,375	125 lm/W	120-277V	0-10V	Yes	>80
			4000K	4,410	126 lm/W				
			5000K	4,445	127 lm/W				
		30W	3500K	3,840	128 lm/W				
			4000K	3,870	129 lm/W				
			5000K	3,900	130 lm/W				
		24W	3500K	3,144	131 lm/W				
			4000K	3,168	132 lm/W				
			5000K	3,192	133 lm/W				
KT-RKIT30PS-24DB-8CSA-VDIM /FC2	2'x4'	30W	3500K	3,840	128 lm/W	120-277V	0-10V	Yes	>80
			4000K	3,870	129 lm/W				
			5000K	3,900	130 lm/W				
		25W	3500K	3,350	134 lm/W				
			4000K	3,375	135 lm/W				
			5000K	3,400	136 lm/W				
		20W	3500K	2,740	137 lm/W				
			4000K	2,760	138 lm/W				
			5000K	2,780	139 lm/W				

Wall Switch Keypad

KTSL-WS1-B-SG /G2
Bluetooth Wireless Keypad



Features & Benefits

- Commissioned via SmartLoop mobile app for iPhone and Android
- Designed for installation in standard wallboxes
- Operates on 2 x CR2032 batteries
- 5 buttons allow for dimming, toggling power, automatic sensor/preset level operation, and scene activation
- Utilizes Bluetooth mesh technology for reliable and secure wireless communication
- Indicator LED communicates device status
- Easily commissioned to control groups or individual luminaires

Electrical Specifications

CATALOG NUMBER	INPUT POWER	BATTERY LIFETIME	RF TRANSMIT POWER	WIRELESS FREQUENCY	WIRELESS RANGE (OPEN AIR)	WIRELESS PROTOCOL
KTSL-WS1-B-SG /G2	2 x CR2032 batteries*	5 Years	8dBm	2.4GHz	90m	Bluetooth 4.2

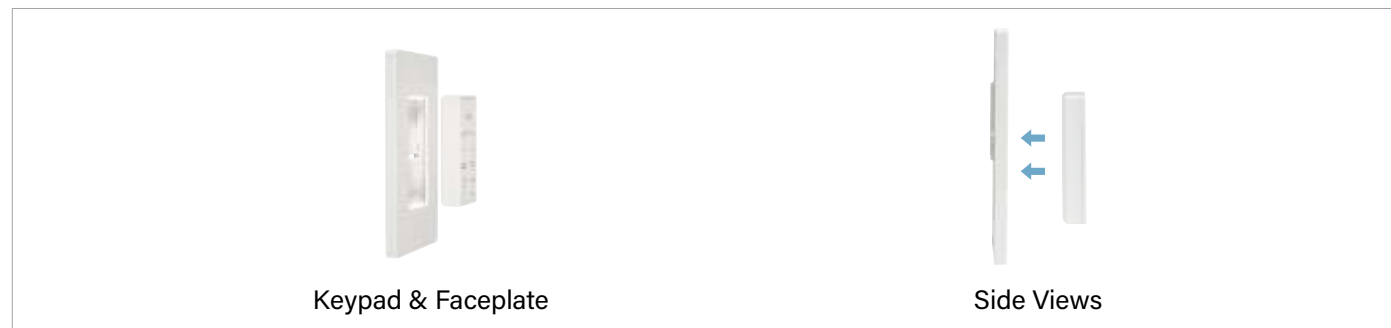
*Batteries not included

Environmental Specifications

OPERATING TEMPERATURE	STORAGE TEMPERATURE	HUMIDITY	MOISTURE AND DUST RATING
-10°C/14°F to 45°C/113°F	0°C/32°F to 30°C/86°F	5-90%	IP20

EMC Compliance

- FCC: Part 15.247



Keypad & Faceplate

Side Views

Fixture Controller

KTSL-FC1-UV-KO
Bluetooth Wireless Fixture Controller



Features & Benefits

- Use of a relay, 0-10V dimming, and a 1/2" knockout enable compatibility with many standard industry fixtures
- Commissioned via SmartLoop mobile app for iPhone and Android
- Controlled via SmartLoop mobile app, keypad, and sensors
- UL2043 certified for plenum installations
- Utilizes Bluetooth mesh technology for reliable and secure wireless communication
- Intelligent relay control software reduces wear to extend relay life
- Power outage recovery defaults to automatic ON state
- Indicator LED communicates device status

Electrical Specifications

CATALOG NUMBER	INPUT POWER	STANDBY POWER	MAX LOAD CURRENT	RF TRANSMIT POWER	TURN-ON DELAY TIME	MAX 0-10V SINKING CURRENT	WIRELESS FREQUENCY	WIRELESS RANGE (OPEN AIR)	WIRELESS PROTOCOL
KTSL-FC1-UV-KO	120-277VAC, 50-60Hz	<1W	3.0A	8dBm	<0.5s	10mA	2.4GHz	100m	Bluetooth 4.2

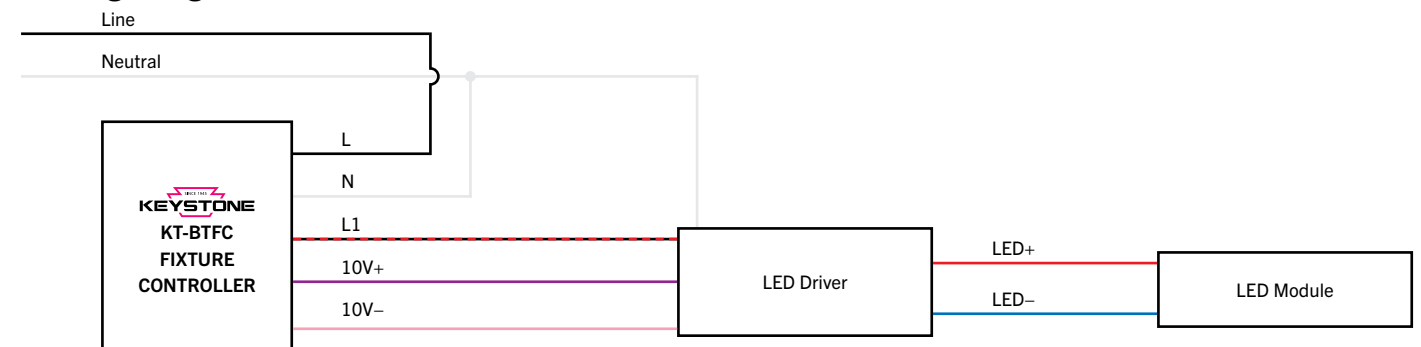
Environmental Specifications

OPERATING TEMPERATURE	STORAGE TEMPERATURE	HUMIDITY	LIFETIME RATING	MOISTURE AND DUST RATING
-40°C/-40°F to 45°C/113°F	-40°C/-40°F to 85°C/185°F	5-90%	50,000 Hours	IP20

Safety and EMC Compliance

- UL/cUL: UL8750, UL2043
- FCC: Part 15.247

Wiring Diagram



Fixture Controller with Remote Mount Sensor



KTSL-FC1-UV-KO-PIR
Bluetooth Wireless Fixture Controller
and Sensor

Features & Benefits

- Use of a relay, 0–10V dimming, and a 1/2" knockout enable compatibility with many standard industry fixtures
- Commissioned via SmartLoop mobile app for iPhone and Android
- Class 2 daylight and PIR motion sensor is remote mountable via 1" trade size knockout
- Controlled via SmartLoop mobile app, keypad, and sensors
- Fixture controller and sensor connect via a convenient RJ-12 cable
- Utilizes Bluetooth mesh technology for reliable and secure wireless communication
- Intelligent relay control software reduces wear to extend relay life
- Power outage recovery defaults to automatic ON state
- Indicator LED communicates device status
- UL2043 certified for plenum installations
- Lens cover accessory with breakaway tabs included for specialized reception pattern needs

Electrical Specifications

CATALOG NUMBER	INPUT POWER	STANDBY POWER	MAX LOAD CURRENT	RF TRANSMIT POWER	TURN-ON DELAY TIME	MAX 0-10V SINKING CURRENT	WIRELESS FREQUENCY	WIRELESS RANGE (OPEN AIR)	WIRELESS PROTOCOL
KTSL-FC1-UV-KO-PIR	120-277VAC, 50-60Hz	<1W	3.0A	8dBm	<0.5s	10mA	2.4GHz	100m	Bluetooth 4.2

Sensor Specifications

SENSOR WIRES	SENSOR DETECTION HEIGHT	SENSOR DETECTION ANGLE	DAYLIGHT HARVESTING RANGE
Class 2	40' max	120°	100-1000 lux

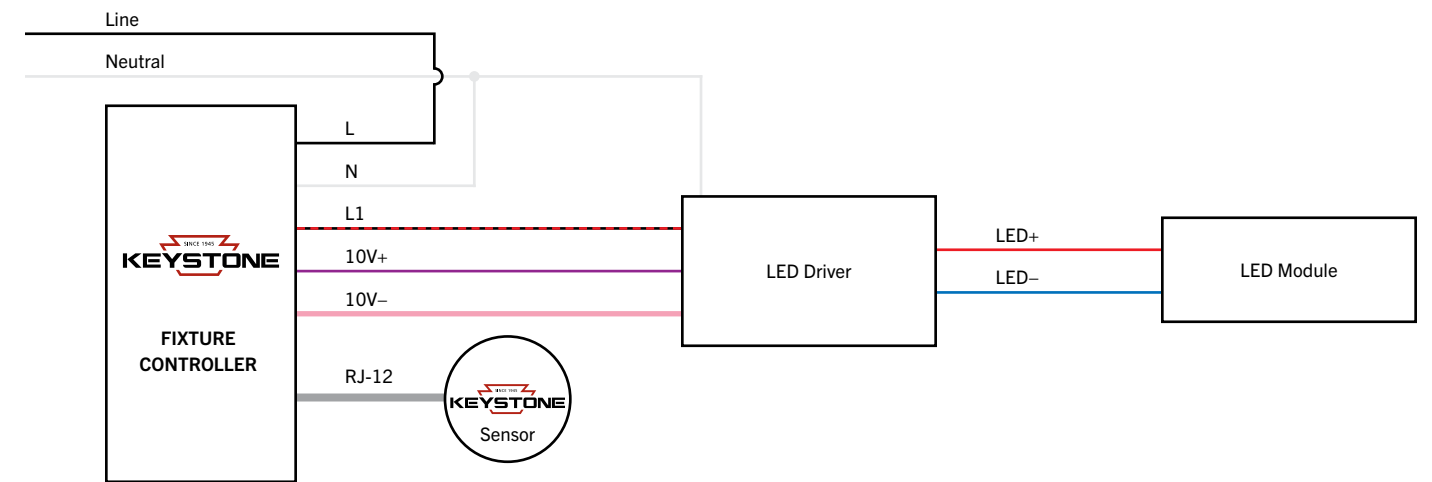
Environmental Specifications

OPERATING TEMPERATURE	STORAGE TEMPERATURE	HUMIDITY	LIFETIME RATING	MOISTURE AND DUST RATING
-40°C/-40°F to 45°C/113°F	-40°C/-40°F to 85°C/185°F	5-90%	50,000 Hours	IP20

Safety and EMC Compliance

- UL/cUL: UL8750, UL2043
- FCC: Part 15.247

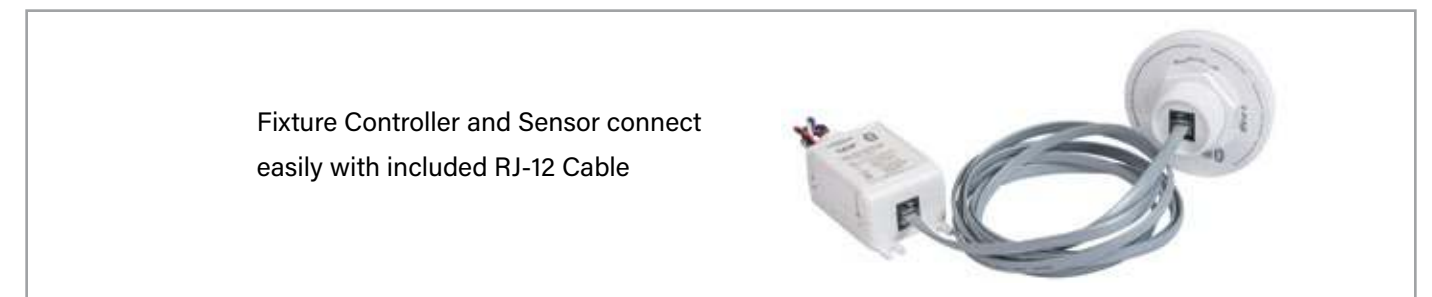
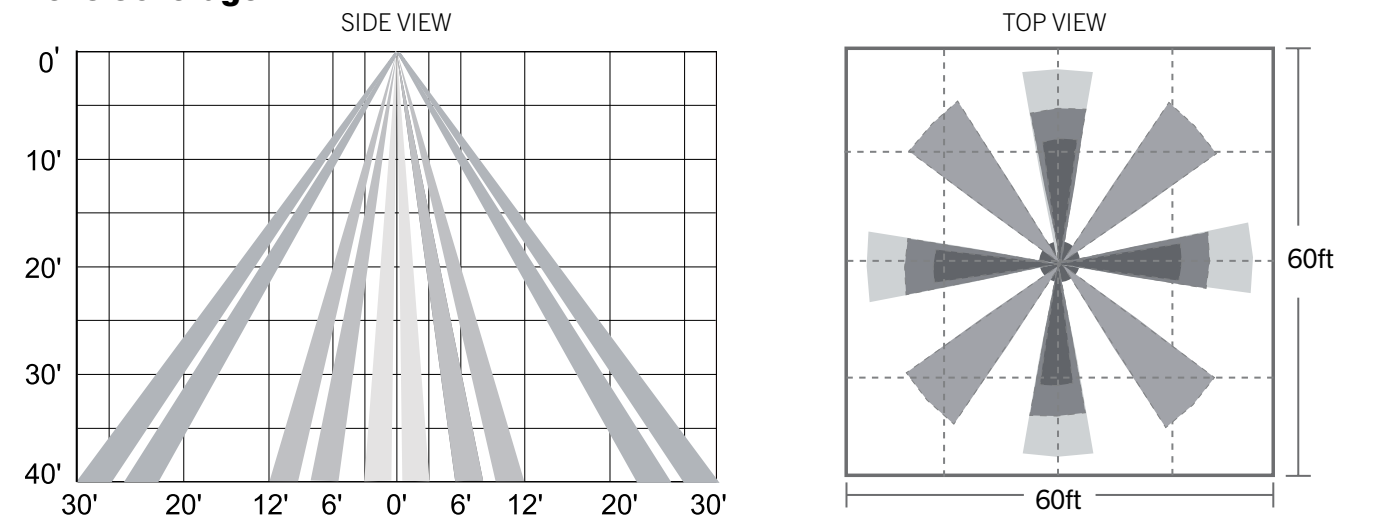
Wiring Diagram



Wire/Cable Specifications

NAME	FUNCTION	COLOR	GAUGE	TYPE	LENGTH	STRIP LENGTH
L	Input Hot	Black	18AWG	Solid	13.58"	0.35"
N	Neutral	White			13.58"	0.35"
L1	Switched Hot Out	Red/Black			13.58"	0.35"
10V+	Dimming Level	Purple	22AWG	Stranded	7.28"	0.39"
10V-	Low Voltage Common	Pink			7.28"	0.39"
RJ-12	Sensor Control	Gray	6x 28AWG	Stranded	60"	N/A

Lens Coverage



Integrated Fixture Controller

KTSL-FC2-12V-SM-PIR

Bluetooth Wireless Integrated
Fixture Controller



Features & Benefits

- Small form factor for unobtrusive installation
- 0-10V control wires for integration with most commercially available fixtures
- 12Vdc input (use driver with 12V aux power)
- Installs via 3/8" drilled hole on fixture sheet metal. Simply drill, route the wires and threaded collar through, and tighten nut to lock into place
- Dim-to-off LED driver required for full functionality
- Commissioned via SmartLoop mobile app for iPhone and Android
- Controlled via SmartLoop mobile app, keypad, and sensors
- Utilizes Bluetooth mesh technology for reliable and secure wireless communication
- Power outage recovery defaults to automatic ON state
- Indicator LED communicates device status
- UL2043 certified for plenum installations
- Suitable for dry and damp locations

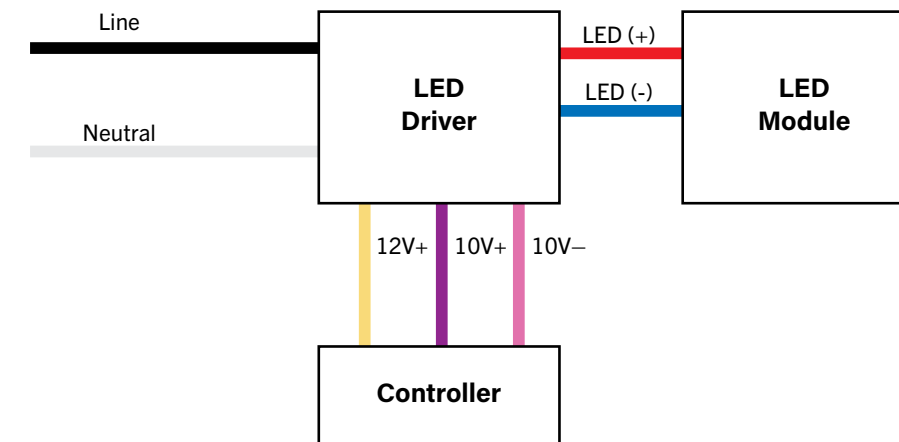
Electrical Specifications

CATALOG NUMBER	INPUT POWER	POWER CONSUMPTION	RF TRANSMIT POWER	MAX 0-10V SINKING CURRENT	WIRELESS FREQUENCY	WIRELESS RANGE (OPEN AIR) TIME	MAX SENSOR DETECTION HEIGHT	SENSOR DETECTION ANGLE	DAYLIGHT HARVESTING TIME	WIRELESS PROTOCOL
KTSL-FC2-12V-SM-PIR	10-15VDC	0.2W	8dBm	10mA	2.4GHz	100m	16 ft	120°	100-1000 lux	Bluetooth 4.2

Environmental Specifications

OPERATING TEMPERATURE	STORAGE TEMPERATURE	HUMIDITY	LIFETIME RATING	MOISTURE AND DUST RATING
-20°C/-4°F to 60°C/140°F	-40°C/-40°F to 85°C/185°F	5-95%	>100,000 Hours	Suitable for dry and damp locations

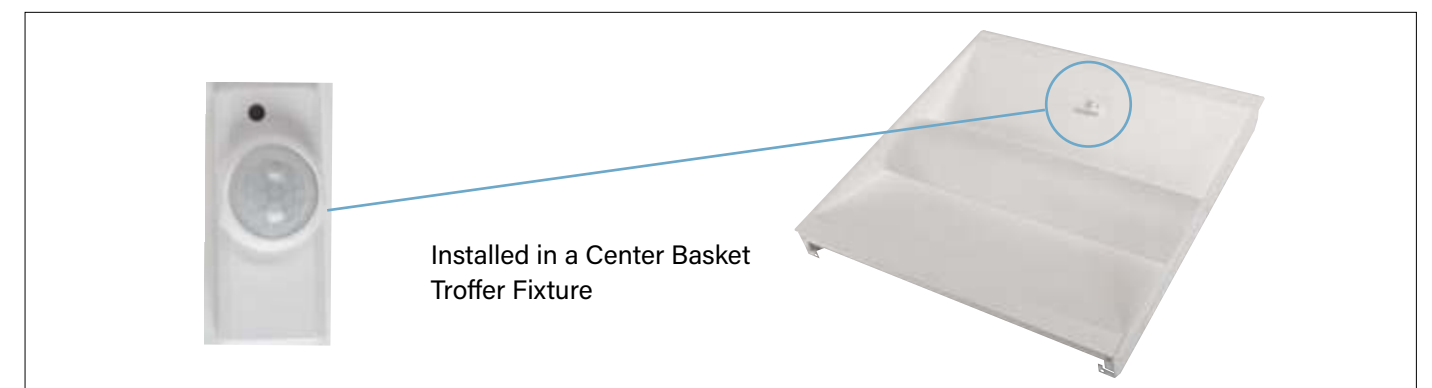
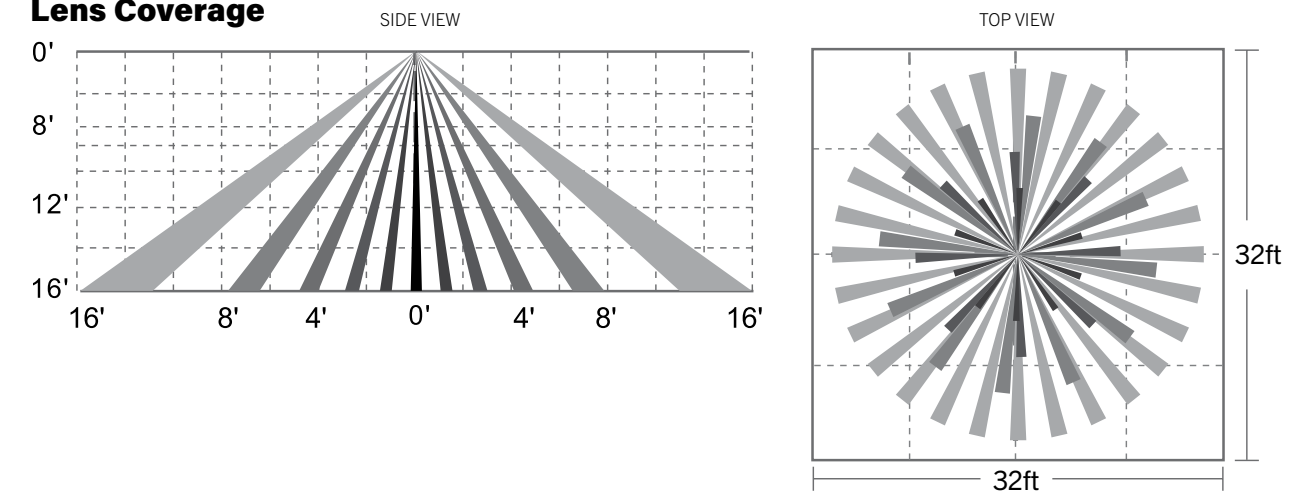
Wiring Diagram



Wire Specifications

NAME	FUNCTION	COLOR	GAUGE	TYPE	LENGTH	STRIP LENGTH
+12V	Aux Power	Yellow	22AWG	Stranded	15.35"	0.39"
10V+	Dimming Level	Purple				
10V-	Low Voltage Common	Pink				

Lens Coverage



Screw-in Fixture Controllers

KTSL-FC3-12V-PKO-PIR

Bluetooth Mesh Wireless
Screw-in Fixture Controller
with Integrated Sensor



KTSL-FC4-12V-PKO

Bluetooth Mesh Wireless
Screw-In Fixture Controller



Features & Benefits

- For use with Smart Port Gen 2 compatible Keystone products
- Commissioned via SmartLoop mobile app for iPhone and Android
- Controlled via SmartLoop mobile app, keypad, and sensors
- Utilizes Bluetooth mesh technology for reliable and secure wireless communication
- Power outage recovery defaults to automatic ON state
- Indicator LED communicates device status

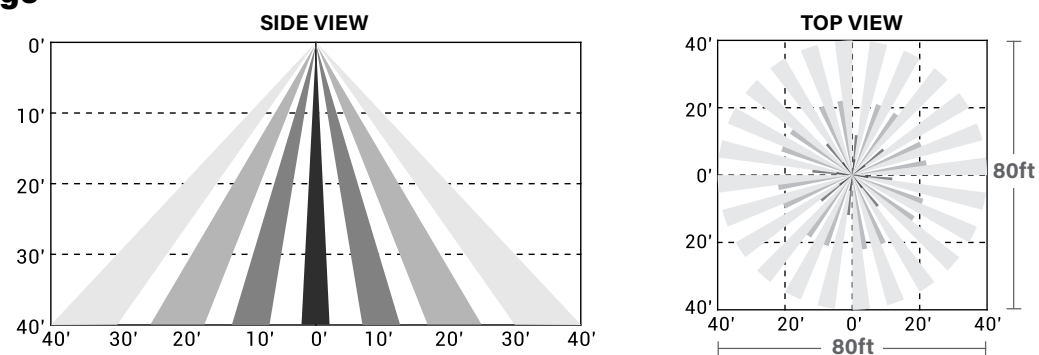
Motion and Daylight

CATALOG NUMBER	INPUT POWER	STANDBY POWER	RF TRANSMIT POWER	MAX 0-10V SINKING CURRENT	WIRELESS FREQUENCY	WIRELESS RANGE (OPEN AIR)	MAX SENSOR DETECTION HEIGHT	SENSOR DETECTION ANGLE	DAYLIGHT HARVESTING TIME	WIRELESS PROTOCOL
KTSL-FC3-12V-PKO-PIR	10-15VDC	0.2W	8dBm	10mA	2.4GHz	100m	40' max	90°	0-2000 lux	Bluetooth 4.2

RF Only

CATALOG NUMBER	INPUT POWER	STANDBY POWER	RF TRANSMIT POWER	MAX 0-10V SINKING CURRENT	WIRELESS FREQUENCY	WIRELESS RANGE (OPEN AIR)	MAX SENSOR DETECTION HEIGHT	SENSOR DETECTION ANGLE	DAYLIGHT HARVESTING TIME	WIRELESS PROTOCOL
KTSL-FC4-12V-PKO	10-15VDC	0.2W	8dBm	10mA	2.4GHz	100m	N/A	N/A	N/A	Bluetooth 4.2

Lens Coverage



Fixture Controller and Sensor

KTSL-HBFC1-UV-KO-PIR

Bluetooth Mesh Wireless Fixture
Controller and Sensor



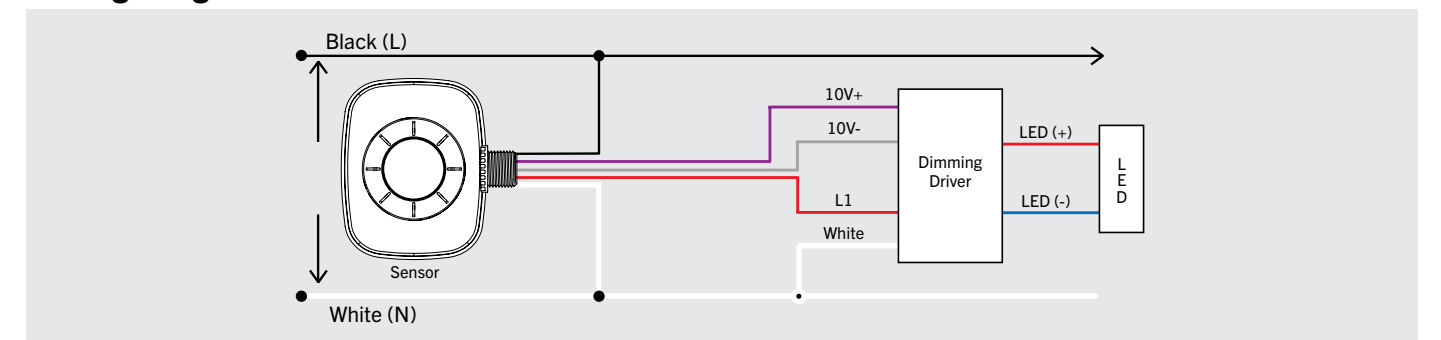
Features & Benefits

- Use of a relay, 0-10V dimming, and a 1/2" knockout enable compatibility with many standard industry fixtures
- Commissioned via SmartLoop mobile app for iPhone and Android
- Controlled via SmartLoop mobile app, keypad, and sensors
- Integrated daylight and PIR motion sensor
- Utilizes Bluetooth mesh technology for reliable and secure wireless communication
- Intelligent relay control software reduces wear to extend relay life
- Power outage recovery defaults to automatic ON state
- Indicator LED communicates device status

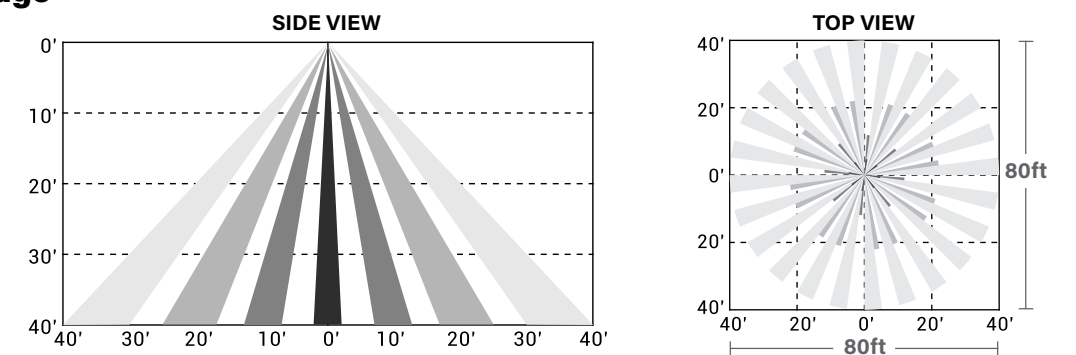
Electrical Specifications

CATALOG NUMBER	INPUT POWER	STANDBY POWER	MAX LOAD CURRENT	RF TRANSMIT POWER	TURN-ON DELAY TIME	MAX 0-10V SINKING CURRENT	WIRELESS FREQUENCY	WIRELESS RANGE (OPEN AIR)	WIRELESS PROTOCOL
KTSL-HBFC1-UV-KO-PIR	120-277VAC, 50-60Hz	<1W	5.0A	8dBm	<0.5s	50mA	2.4GHz	100m	Bluetooth 4.2

Wiring Diagram



Lens Coverage



USB Time Keeper

KTSL-TK1-USB

Bluetooth Wireless Backup
Time Keeper



Features & Benefits

- Commissioned via SmartLoop mobile app for iPhone and Android
- Internal CR1220 battery backup to retain time during a power outage
- Appears as a keypad in the SmartLoop app, giving the user an additional virtual keypad
- Utilizes Bluetooth mesh technology for reliable and secure wireless communication
- Indicator LED communicates device status
- Powered by any standard USB-A charging port

Electrical Specifications

CATALOG NUMBER	INPUT POWER	STANDBY POWER	RF TRANSMIT POWER	BATTERY LIFETIME	WIRELESS FREQUENCY	WIRELESS RANGE (OPEN AIR)	WIRELESS PROTOCOL
KTSL-TK1-USB	5V USB, internal CR1220 battery backup for retaining time	0.25W (when plugged into USB power)	8dBm	10 Years	2.4GHz	100m	Bluetooth 4.2

Environmental Specifications

OPERATING TEMPERATURE	STORAGE TEMPERATURE	HUMIDITY	LIFETIME RATING	MOISTURE AND DUST RATING
-40°C/-40°F to 45°C/113°F	-40°C/-40°F to 85°C/185°F	5-90%	>50,000 hrs	IP20

EMC Compliance

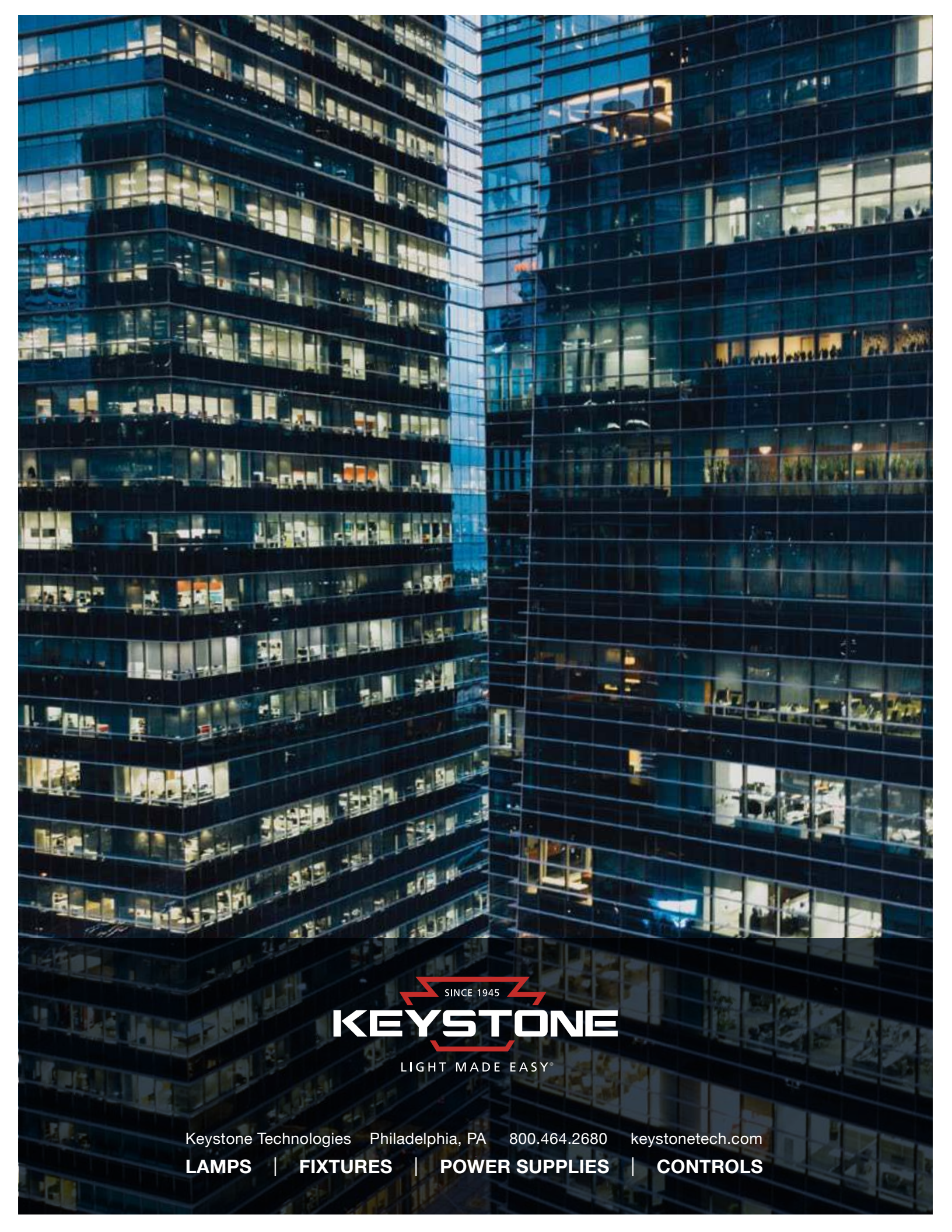
- FCC: Part 15.247



Download the App

Quickly download the SmartLoop App for your iPhone or Android smartphone by scanning this QR code.





SINCE 1945
KEYSTONE
LIGHT MADE EASY®

Keystone Technologies Philadelphia, PA 800.464.2680 kestonetech.com
LAMPS | FIXTURES | POWER SUPPLIES | CONTROLS