



KT-DDHBLEDT8-4-4L KT-DDHBLEDT8-4-6L

LED READY FIXTURES

INSTALLATION INSTRUCTIONS

WARNING

- To reduce the risk of death, personal injury or property damage from fire, electric shock, falling parts, cuts/abrasions, and other hazards, read all warnings and instructions included with and on the fixture box and all fixture labels.
- Before installing, servicing, or performing routine maintenance upon this equipment, follow these general precautions.
- Commercial installation, service, and maintenance of luminaires should be performed by a qualified, licensed electrician.
- For the installation: If you are unsure about the installation or maintenance of the luminaires, consult a qualified, licensed electrician and check your local electrical code.
- To prevent wiring damage or abrasion, do not expose wiring to edges of sheet metal or other sharp objects.
- Do not make or alter any open holes in an enclosure of wiring or electrical components during kit installation.
- Turn off electrical power at fuse or circuit breaker box before wiring fixture to the power supply.
- Turn off the power when you perform any maintenance.
- Verify that supply voltage is correct by comparing it with the luminaire label information.
- All wiring connections should be capped with UL approved wire connectors.

CAUTION

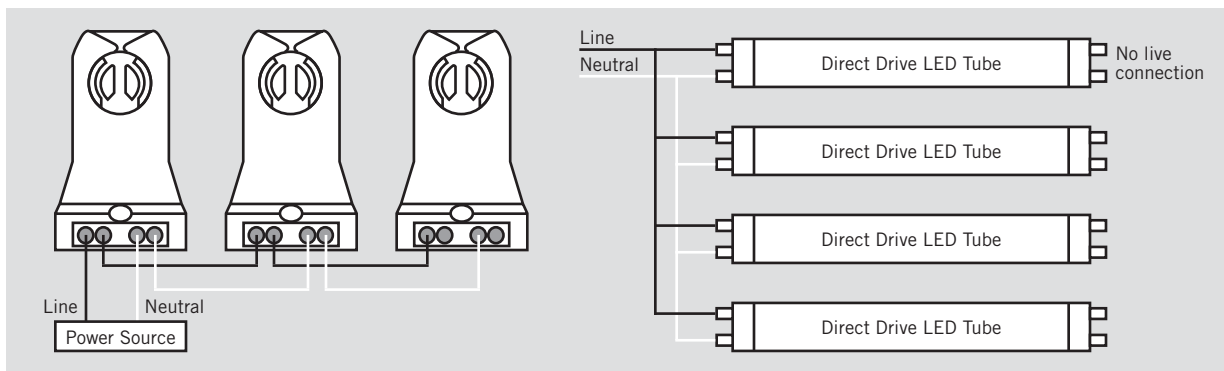
- Risk of shock. Disconnect power before servicing.
- Avoid direct eye exposure to the light source while it is on.
- Account for small parts and destroy packing material, as these may be hazardous to children.
- Risk of burn. Disconnect power and allow fixture to cool before changing bulb or handling fixture.
- This luminaire operates LED lamps only.
- Do not attempt to install or operate fluorescent lamps in this luminaire.

NOTE

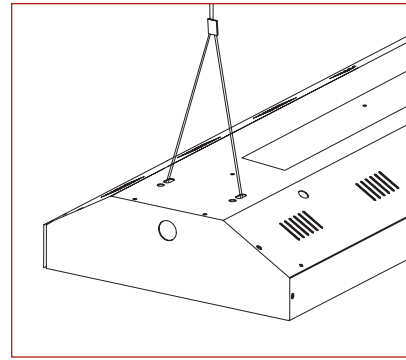
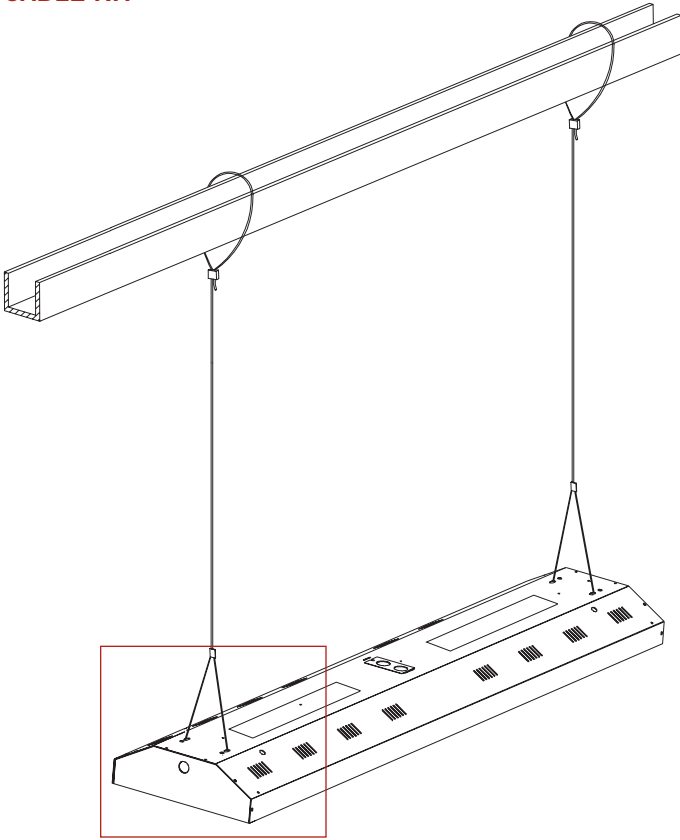
- Green ground screw provided in proper location. Do not relocate.
- Minimum 90° supply conductors.
- Specifications and dimensions subject to change without notice.
- Suitable for damp locations.
- Relamp only with the following Keystone Technologies lamps:

– KT-LED12.5T8-48GC-8XX-D	– KT-LED18.5T8-48GC-8XX-DX2	– KT-LED18.5T8-48GC-8XX-DX2 /G2
– KT-LED15T8-48GC-8XX-D /G3	– KT-LED9T8-48G-8XX-DX2	– KT-LED10.5T8-48G-8XX-DX2
– KT-LED18.5T8-48GC-8XX-D	– KT-LED15T8-48GC-8XX-DX2	– KT-LED25T8-48G-8XX-DX2
– KT-LED9T8-48G-8XX-D	– KT-LED10.5T8-48G-8XX-D	– KT-LED10.5T8-48G-8XX-DX2 /USA
– KT-LED12.5T8-48GC-8XX-DX2	– KT-LED10.5T8-48GC-8XX-D	– KT-LED18.5T8-48G-8XX-DX2 /USA
– KT-LED14.5T8-48G-8XX-DX2	– KT-LED18.5T8-48GC-8XX-D /G2	

GENERAL WIRING DIAGRAM



CABLE KIT



Note: Ensure lamps are installed in proper orientation for electrical connection with sockets.

CHAIN KIT

