



ESSENTIAL SERIES

GENERAL PURPOSE LED BULBS

KT-LED5PAR20-F-8XX /G2

50W REPLACEMENT LAMP

DESCRIPTION

5.5W PAR20 Lamp | 2700–5000K | > 80 CRI | Standard Flood



Enclosed
Fixture Rated



RoHS
Compliant



3YEAR
WARRANTY

LAMP TYPE: PAR20

BASE TYPE: E26 (Medium)

WATTAGE: 5.5W

COLOR TEMPERATURE: 2700–5000K

COLOR RENDERING INDEX (CRI): > 80

WARRANTY: 3 Years

RATED LIFE: L70 (25,000 Hours)



TYPICAL APPLICATIONS

- Track-lighting
- Display
- Flood- and spot-lighting
- Outdoor fixtures

PRODUCT FEATURES

- 80%+ energy savings and less heat generation vs legacy equivalents
- 25,000 hr lifetime means fewer replacements and lower maintenance cost
- Precision crafted optics for beam angle control
- Durable plastic housing for lower risk of breakage
- ANSI compliant construction ensures fit for intended applications
- UL & Energy Star listed
- Suitable for use in enclosed, recessed fixtures
- Suitable for dry, damp, and wet locations
- Suitable for use with dimmers
- PF > 0.90
- Operating temperature range: 4°F/–20°C to 95°F/35°C
- Complies with FCC Part 15

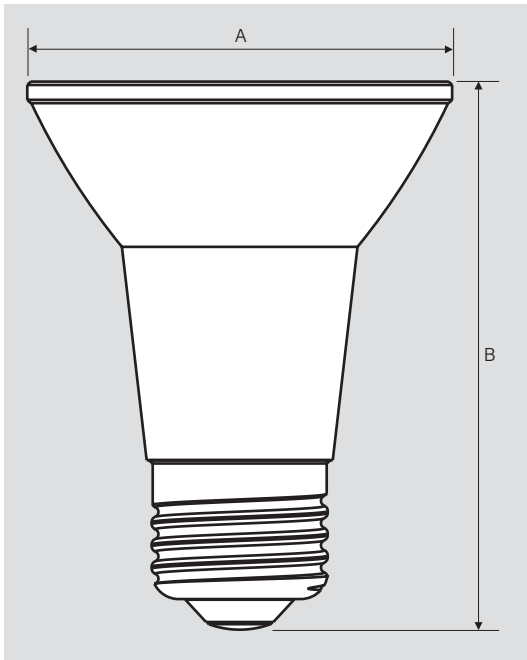
ELECTRICAL AND PERFORMANCE SPECIFICATIONS

Keystone Catalog Number	Base Type	Input Voltage	Rated Lamp Wattage	Legacy Equivalent Wattage	Lumens	Efficacy	CRI	Beam Angle	Dimmable	Color Temp
KT-LED5PAR20-F-827 /G2	E26	120V	5.5W	50W halogen	500	91 lm/W	> 80	40°	Yes	2700K
KT-LED5PAR20-F-830 /G2	E26	120V	5.5W	50W halogen	500	91 lm/W	> 80	40°	Yes	3000K
KT-LED5PAR20-F-840 /G2	E26	120V	5.5W	50W halogen	500	91 lm/W	> 80	40°	Yes	4000K
KT-LED5PAR20-F-850 /G2	E26	120V	5.5W	50W halogen	500	91 lm/W	> 80	40°	Yes	5000K

KT-LED5PAR20-F-8XX /G2

50W REPLACEMENT LAMP

PHYSICAL SPECIFICATIONS



LAMP DIMENSIONS

A (Diameter)	2.52"
B (Length)	3.23"

BASE TYPE: E26 (Medium)

PACKAGING

Carton Quantity	72 pcs
Carton Dimensions	19.37" x 8.66" x 8.31"

ORDERING INFORMATION

CATALOG NUMBER	UPC	EASY CODE	ENERGY STAR UNIQUE ID
KT-LED5PAR20-F-827 /G2	843654150772	YYM-80	2409653
KT-LED5PAR20-F-830 /G2	843654150789	LOC-49	2409655
KT-LED5PAR20-F-840 /G2	843654150796	XQU-95	2409656
KT-LED5PAR20-F-850 /G2	843654150802	YFE-29	2409657

CATALOG NUMBER BREAKDOWN

KT-LED5PAR20-F-8XX /G2

1 2 3 4 5 6 7 8

- 1 Keystone Technologies
- 2 LED Lamp
- 3 Wattage
- 4 Lamp Shape
- 5 Standard Flood
- 6 80 CRI
- 7 Color Temperature
- 8 Second Generation