



KT-EC-TP2-XX3RGW-SU

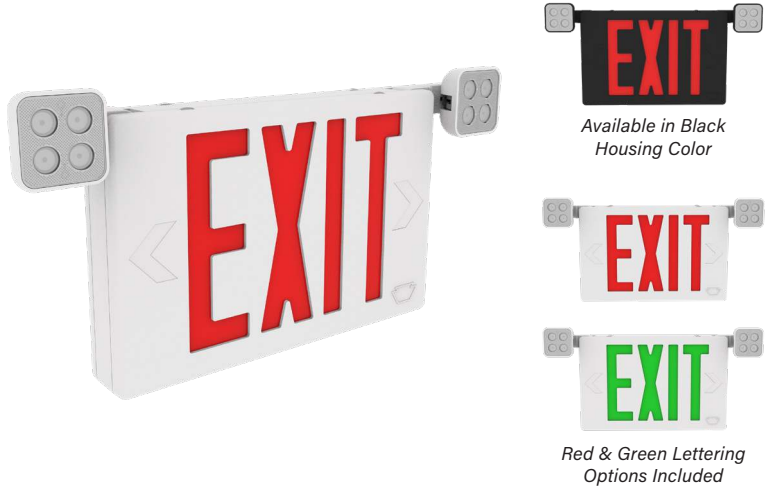
EXIT COMBO

DESCRIPTION

LED Exit Combo | Single or Double Facing | Dual Heads |
 Switchable Red and Green Lettering |
 White or Black Finish | 6500K White Light | Surface Mount |
 Battery Backup | Built-in Test Switch | 120-277V Input

APPLICATION

UL 924 Compliant Exit Combo with Built-in Red or Green Switchable Lettering. Provides 90+ Minutes of Emergency Power.



PRODUCT FEATURES

- Red or Green Switchable LED and Diffuser Color
- Includes Single or Double Facing Configurations
- Surface Mount - Back, Side, or Top
- Integrated Backup Battery - NiCad 1000mAh
- 90 Minutes of Emergency Power
- Integrated Test Switch & Charge Indicator
- Adjustable Dual Heads
- Thermoplastic Housing - UL 94V-0 Flame Rating
- Ambient Operating Temperature: 0°C/32°F to 40°C/104°F
- UL Certified for Damp Locations
- Universal J-Box Mounting Pattern

PERFORMANCE SPECIFICATIONS

Catalog Number	Input Voltage	Input Power	CCT	Lumens	Letter Color	Housing Color	Mounting	Battery Type	Battery Capacity	Recharge Time	Remote Capable
KT-EC-TP2-WH3RGW-SU	120-277V	2W	6500K	160	Red & Green	White	Surface: Top, Side, and Back Mount	Nickel-Cadmium	1000mAh	24 Hours	No
KT-EC-TP2-BL3RGW-SU						Black					

* See Ordering Information and Catalog Number Breakdown for more details.

PHYSICAL SPECIFICATIONS

Weight

Fixture Weight	Carton Weight
2.4 lbs	16.8 lbs

KT-EC-TP2-XX3RGW-SU
EXIT COMBO

FIELD-ADJUSTABLE FEATURES: LED COLOR, DIFFUSER COLOR, CHEVRONS, FACINGS & MOUNTING ORIENTATION

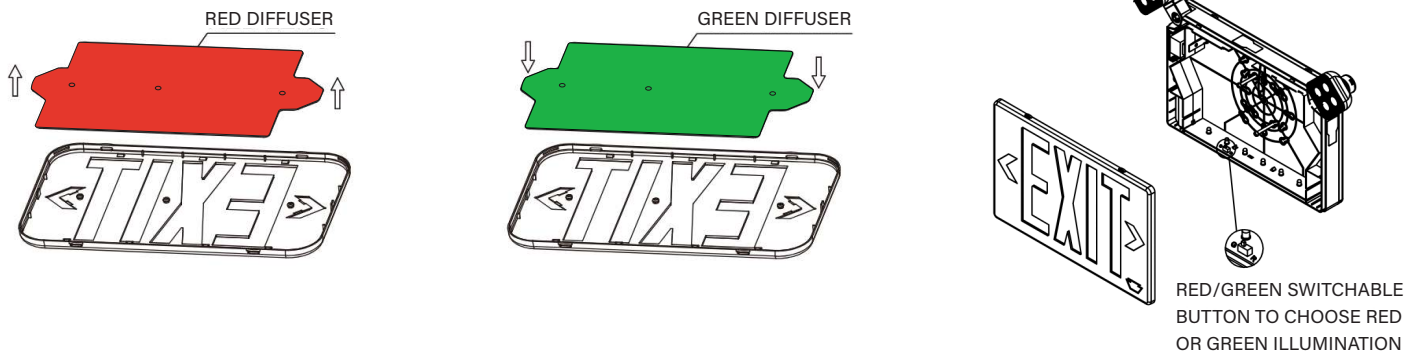
This fixture is equipped with field-adjustable red or green LED color and colored diffusers, removable chevrons, single (front only) or double (front and back) facings, and three mounting options (top, side, or back).

Note: Ensure power is off to the fixture and rechargeable battery is disconnected before making any adjustments.

Selectable Color

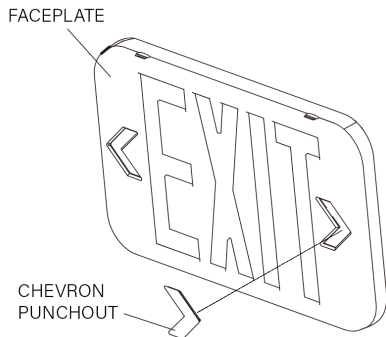
Select the diffuser color of choice. Face plates ship with Red Diffuser already installed. To use Green Diffuser, remove the Red Diffuser and secure the Green Diffuser to Face Plate(s).

Toggle the switchable button to choose red or green illumination.



Use of Chevrons

Remove punchout chevron(s) on faceplate, as needed. The diffuser would need to be removed to allow chevron removal. Re-secure diffuser after chevron removal.



Single or Double-Sided Facing

This fixture ships with two "EXIT" sign faceplates and one back/solid faceplate to allow for either single- or double-sided Exit Sign. Single-sided Exit Sign will use one "EXIT" faceplate and the back/solid faceplate, while double-sided Exit Sign will use two "EXIT" faceplates. All three faceplates are included.

KT-EC-TP2-XX3RGW-SU

EXIT COMBO

MOUNTING OPTIONS

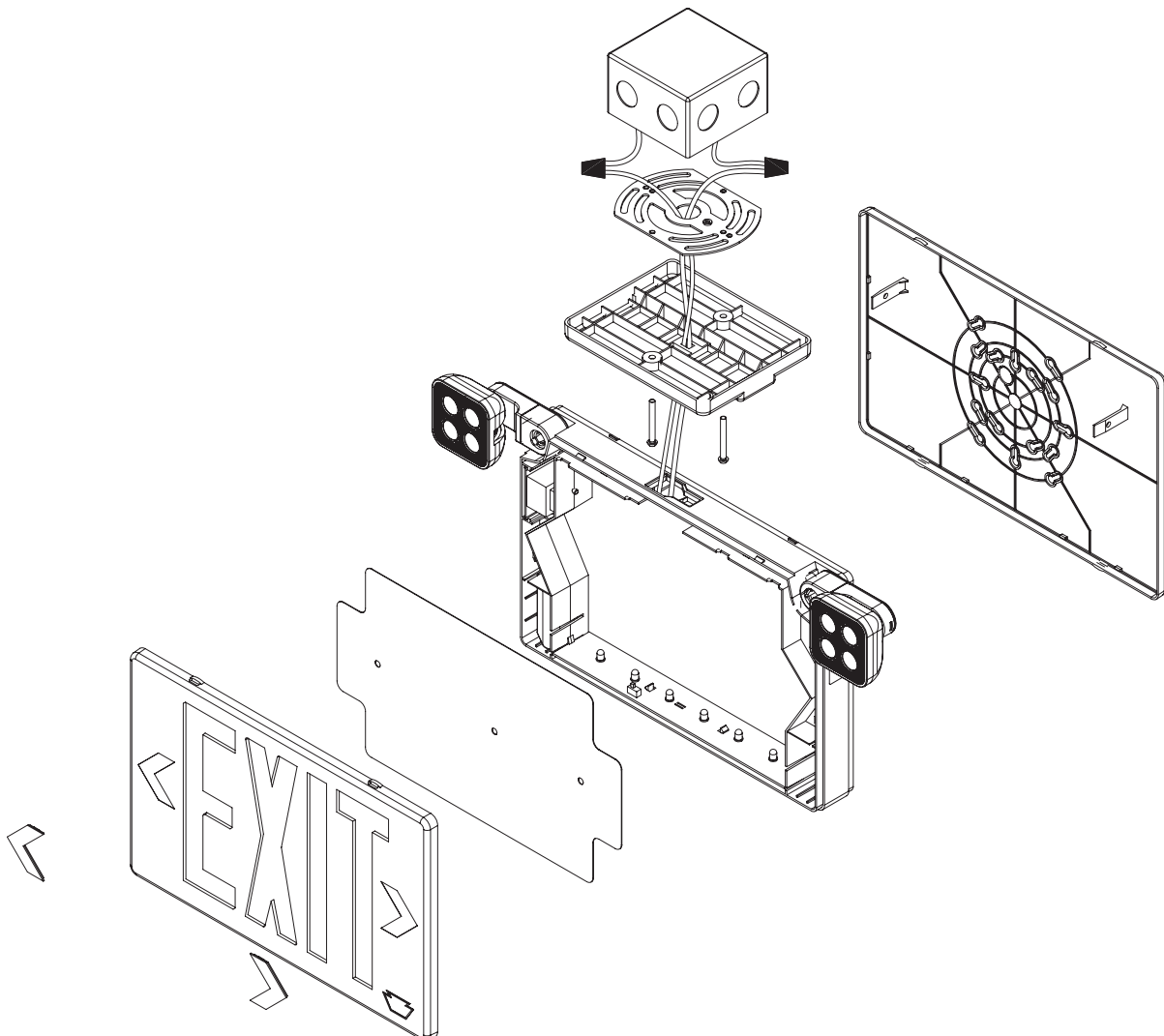
BACK MOUNT



TOP MOUNT



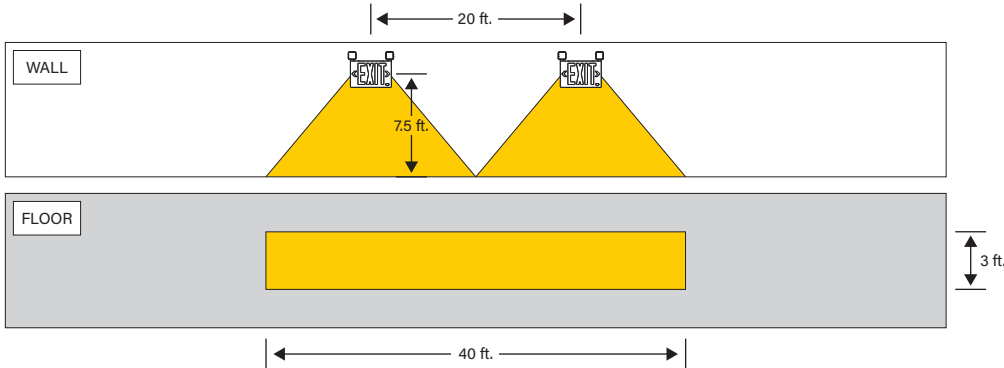
SIDE MOUNT



KT-EC-TP2-XX3RGW-SU

EXIT COMBO

SPACING GUIDELINES



Multiple Unit Spacing	
Room Description	8' x 12' Hallway
Head Orientation	30° Rotation, 40° Tilt
Path of Egress	3' Wide
Illumination	1fc average, 0.1fc minimum

*Spacing guidelines provided are for general reference only. Actual performance will vary based on each installations unique dimensions, wall colors, floor type, and other factors. Please contact lightinglayouts@keystonetech.com for detailed layout assistance needs.

MOUNTS/BRACKETS

Field-Installable (purchased separately)

Catalog number	Description	UPC	Easy Code
KT-EX-5CC-2-F-KIT	Canopy Cover Feed Kit for Exit Signs J-Box Mount 5" Round White Includes 6in & 18in Rigid 3/8 IPS Stems, 24in total (1) 5" Canopy Cover & Additional Hardware	843654177090	FFO-55
KT-EX-5CC-2-F-KIT-B	Canopy Cover Feed Kit for Exit Signs J-Box Mount 5" Round Black Includes 6in & 18in Rigid 3/8 IPS Stems, 24in total (1) 5" Canopy Cover & Additional Hardware	843654177113	YOP-89
KT-5CC-2-18-3/8IPS	18in Rigid 3/8 IPS Stem (5/8in OD) 1/4 IPS x 1/4 IPS Internal Thread Both Ends White	843654177106	MLV-42
KT-5CC-2-18-3/8IPS-B	18in Rigid 3/8 IPS Stem (5/8in OD) 1/4 IPS x 1/4 IPS Internal Thread Both Ends Black	843654177120	WDX-71





KT-EC-TP2-XX3RGW-SU

EXIT COMBO

ORDERING INFORMATION

Catalog Number	Finish	UPC	Easy Code
KT-EC-TP2-WH3RGW-SU	White	843654165240	DDY-20
KT-EC-TP2-BL3RGW-SU	Black	843654165257	HTR-84

CATALOG NUMBER BREAKDOWN

KT-EC-TP2-XX3RGW-SU

1 2 3 4 5 6 7 8 9 10

- 1 Keystone Technologies
- 2 Exit Combo
- 3 Thermo Plastic
- 4 Form Factor 2
- 5 Housing Color

- 6 Facings
- 7 Lettering Color
- 8 Light Color
- 9 Mounting
- 10 Input Voltage

5 Housing Color

WH	White
BL	Black

8 Light Color

W	White
---	-------

6 Facings

3	Single and Double
---	-------------------

9 Mounting

S	Surface Mount
---	---------------

7 Lettering Color

RG	Red and Green Lettering
----	-------------------------

10 Input Voltage

D	120/277V
---	----------