



**EXTERNAL DRIVE LED**  
TYPE C LED TUBES



# KT-LED11.5T8-48G-840-E

## T8 LED LAMP

### DESCRIPTION

T8 LED | 11.5W | 120-277Vac Input | 4' Length | 4000K | Type C  
>82 CRI | 0-10V Dimming | G13 (Medium Bi-Pin)



RoHS  
Compliant



**10 YEAR**  
LIMITED WARRANTY



### PRODUCT FEATURES

- Keystone Power Select technology (see *Performance Specifications* for details)
- Compatible with Keystone external drive LED drivers
- Bi-Level Dimming:
  - Toggle Between Partial & Full Brightness using Wall Switch
- Replacement for conventional fluorescent lamps
- 70,000+ hour lifetime
- Type C application for custom installations and maximum efficiency
- Environmentally friendly: No mercury used
- Instant startup
- Frosted glass eliminates pixelation
- UL Classified
- Operating temperature: -20°C/-4°F to 45°C/113°F
- Humidity: 10-90%
- 0-10V Dimming
- Power Factor >0.9
- 12V Aux Output, 100mA Max. Current

### PERFORMANCE SPECIFICATIONS

#### BARE LAMP

Lumens	Wattage	Efficacy	CRI
1,895	11.5W	165 lm/W	>82

#### SYSTEM - 100% POWER

Lamp Configuration	System Total Lumens	System Total Power	System Efficacy	System Per Lamp Lumens	System Per Lamp Power	Type C Driver
1-Lamp	13W	1,895	146 lm/W	1,895	13W	KTLD-2LT8-UV-PS15C-BL-VDIM
2-Lamp	26W	3,790	146 lm/W	1,895	13W	
3-Lamp	39W	5,685	146 lm/W	1,895	13W	KTLD-4LT8-UV-PS15C-BL-VDIM
4-Lamp	52W	7,580	146 lm/W	1,895	13W	

(Performance Specifications continued on next page)



# KT-LED11.5T8-48G-840-E

## T8 LED LAMP

### PERFORMANCE SPECIFICATIONS (continued)

#### 11.5W LAMP SYSTEM

System Wattage	1-Lamp			2-Lamp			3-Lamp			4-Lamp		
	300mA	240mA	180mA	300mA	240mA	180mA	300mA	240mA	180mA	300mA	240mA	180mA
100%	13W	10.4W	7.8W	26W	20.8W	15.6W	39W	31.2W	23.4W	52W	41.6W	31.2W
70%	9.1W	7.3W	5.5W	18.2W	14.6W	10.9W	27.3W	21.8W	16.4W	36.4W	29.1W	21.8W
50%	6.5W	5.2W	3.9W	13W	10.4W	7.8W	19.5W	15.6W	11.7W	26W	20.8W	15.6W
System Lumens	1-Lamp			2-Lamp			3-Lamp			4-Lamp		
	300mA	240mA	180mA	300mA	240mA	180mA	300mA	240mA	180mA	300mA	240mA	180mA
100%	1,895	1,430	1,050	3,790	3,000	2,245	5,685	4,475	3,330	7,580	6,025	4,540
70%	1,235	970	695	2,615	2,090	1,530	3,915	3,110	2,275	5,280	4,225	3,120
50%	850	655	455	1,850	1,450	1,035	2,760	2,165	1,570	3,780	2,985	2,170
System Efficacy	1-Lamp			2-Lamp			3-Lamp			4-Lamp		
	300mA	240mA	180mA	300mA	240mA	180mA	300mA	240mA	180mA	300mA	240mA	180mA
100%	146 lm/W	137 lm/W	135 lm/W	146 lm/W	144 lm/W	144 lm/W	146 lm/W	144 lm/W	142 lm/W	146 lm/W	145 lm/W	145 lm/W
70%	136 lm/W	133 lm/W	127 lm/W	144 lm/W	143 lm/W	140 lm/W	143 lm/W	142 lm/W	139 lm/W	145 lm/W	145 lm/W	143 lm/W
50%	131 lm/W	126 lm/W	117 lm/W	142 lm/W	139 lm/W	133 lm/W	142 lm/W	139 lm/W	134 lm/W	145 lm/W	143 lm/W	139 lm/W

\* Keystone Power Select Technology (300/240/180mA)

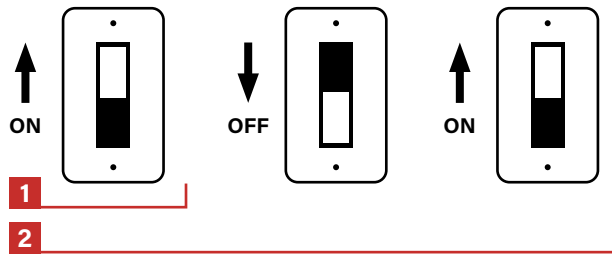
\* Keystone Bi-Level Dimming (100/70/50%)

### KEY FEATURES

#### BI-LEVEL DIMMING

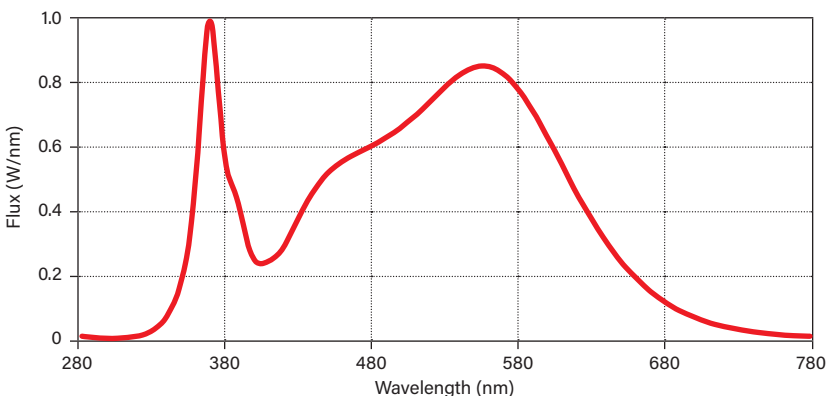
**MODE 1** Partial Brightness (settable to 100/70/50%)  
Flip wall switch to ON position

**MODE 2** Full Brightness (100%)  
Flip wall switch twice within 5 seconds



### PHOTOMETRIC SPECIFICATIONS

#### SPECTRAL DISTRIBUTION



#### RATED LIFE

L70 (Hours) 70,000

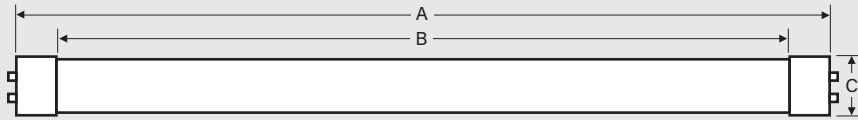
BEAM ANGLE: 160°

# KT-LED11.5T8-48G-840-E

## T8 LED LAMP

### PHYSICAL SPECIFICATIONS

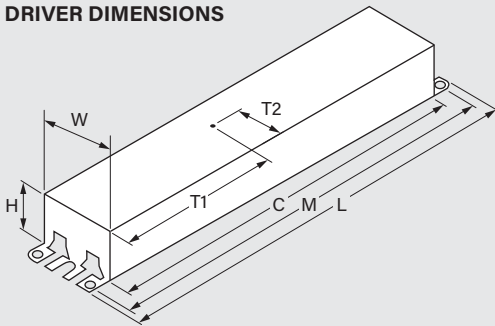
#### LAMP DIMENSIONS



KT-LED11.5T8-48G-840-E	
A (Body Length)	47.22"
B (Illuminated Length)	43.48"
C (Diameter)	1.10"

BASE TYPE: G13 (MEDIUM BI-PIN)

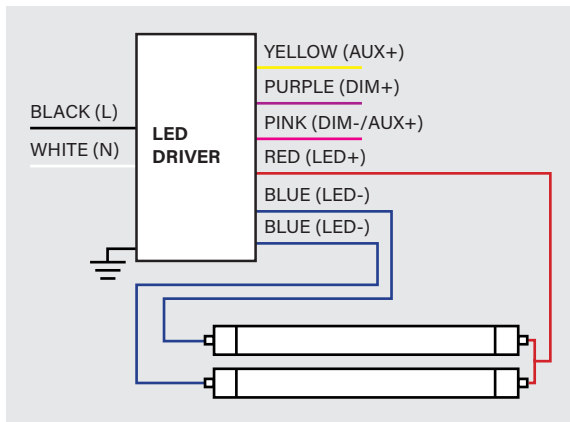
#### DRIVER DIMENSIONS



KTLD-XLT8-UV-PS15C-BL-VDIM	
Length (L)	11.02"
Mounting Length (M)	10.49"
Case Length (C)	9.58"
Width (W)	1.18"
Height (H)	0.87"
Tc Point (T1)	4.50"
Tc Point (T2)	0.59"

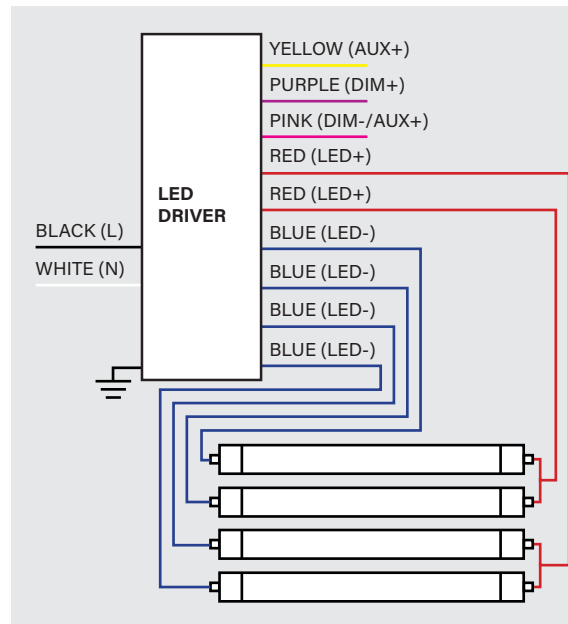
### WIRING SPECIFICATIONS

#### KTLD-2LT8-UV-PS15C-BL-VDIM



\*For 1 Lamp application, cap off 1 blue lead

#### KTLD-4LT8-UV-PS15C-BL-VDIM



\*For 3 Lamp application, cap off 1 blue lead

#### STANDARD LEAD LENGTHS\*

Input	Black	30.00"
	White	30.00"
Output	Red	30.00"
	Blue	30.00"
	Purple	30.00"
	Pink	30.00"
	Yellow	30.00"

Input Wires are 18 AWG  
105°C / 600V

Output Wires are 20 AWG  
105°C / 300V

\*Consult Keystone for special lead length requirements.



# KT-LED11.5T8-48G-840-E

## T8 LED LAMP

### ORDERING INFORMATION

Catalog Number	Carton QTY	Item Status	UPC	Easy Code
KT-LED11.5T8-48G-840-E	25	Quick Ship	843654177335	YEL-20

### CATALOG NUMBER BREAKDOWN

# KT-LED11.5T8-48G-840-E

1
2
3
4
5
6
7
8
9

- 1** Keystone Technologies
- 2** LED Lamp
- 3** Wattage
- 4** Lamp Type
- 5** Nominal Length (Inches)
- 6** Glass
- 7** 80 CRI
- 8** Color Temperature
- 9** External Drive Series

#### 8 Color Temperature

40	4000K
----	-------