

KT-RKITXXPS-XS-8CSA-VDIM /CR

CONTROL READY LED STRIP RETROFIT

DESCRIPTION

LED Strip Retrofit | 120-277V Input | 0-10V Dimming | 3500/4000/5000K



PRODUCT FEATURES

- Features Keystone Color Select technology Adjust CCT between 3500/4000/5000K
- Features Keystone Power Select technology (see *Performance Specifications* for details)
- Features Controls Ready Design
- Used to upgrade existing 4" - 5.25" wide strip fixtures without modifying the existing fixture mounting
- Powered by Keystone 0 -10V dimming LED drivers with 12V Aux
- Ambient operating temperature: -20°C/-4°F to 50°C/122°F
- Compatible with Keystone SmartSafe emergency backups
- Power factor > 0.95
- THD: < 20%
- Meets FCC Part 15, Class B
- LED chip lifetime: L70 >100,000 hours @ 25°C/77°F ambient fixture temperature

PERFORMANCE SPECIFICATIONS DETAILED

Catalog Number	Selectable Wattage	Selectable CCT	Lumens	Efficacy	Input Voltage	Dimmable	CRI	Lifetime
KT-RKIT30PS-4S-8CSA-VDIM /CR	30W	3500K	4,370	146 lm/W	120-277V	0-10V	>80	50,000hrs
		4000K	4,540	151 lm/W				
		5000K	4,450	148 lm/W				
	20W	3500K	3,110	156 lm/W				
		4000K	3,190	160 lm/W				
		5000K	3,150	158 lm/W				
	16W	3500K	2,430	152 lm/W				
		4000K	2,470	154 lm/W				
		5000K	2,460	154 lm/W				
KT-RKIT50PS-8S-8CSA-VDIM /CR	50W	3500K	7,360	147 lm/W	120-277V	0-10V	>80	50,000hrs
		4000K	7,570	151 lm/W				
		5000K	7,510	150 lm/W				
	40W	3500K	6,010	150 lm/W				
		4000K	6,170	154 lm/W				
		5000K	6,150	154 lm/W				
	32W	3500K	4,660	146 lm/W				
		4000K	4,760	149 lm/W				
		5000K	4,770	149 lm/W				

* Preset to (5000K)
 * Color Uniformity: CCT (Correlated Color Temperature) range as per guidelines outlined in ANSI C78.377-2017.

CONTROL READY FEATURE HIGHLIGHT



Controls Ready End Cap with preinstalled cover

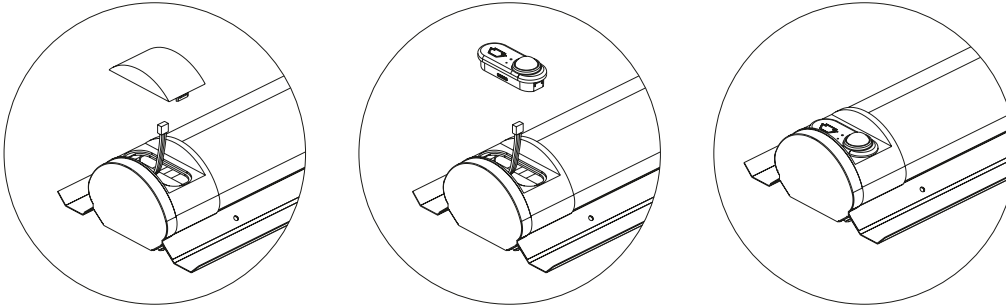
With FC5 Sensor Installed

KT-RKITXXPS-XS-8CSA-VDIM /CR

CONTROL READY LED STRIP RETROFIT

SENSOR INSTALLATION

1. Remove the sensor base cover. Un-hook the sensor wire from the cover.
2. Insert the connector into the desired sensor.
3. Install the sensor and make sure it snaps into place.

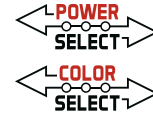


PRODUCT IMAGES



KT-RKIT30PS-4S-8CSA-VDIM /CR

KT-RKIT50PS-8S-8CSA-VDIM /CR

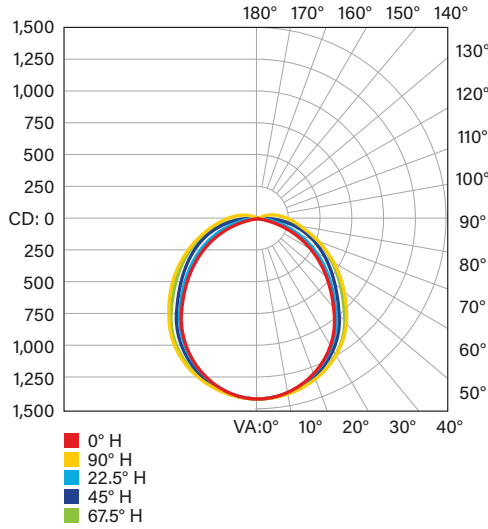


KT-RKITXXPS-XS-8CSA-VDIM /CR

CONTROL READY LED STRIP RETROFIT

PHOTOMETRIC SPECIFICATIONS (KT-RKIT30PS-4S-8CSA-VDIM /CR)

POLAR CANDELA DISTRIBUTION

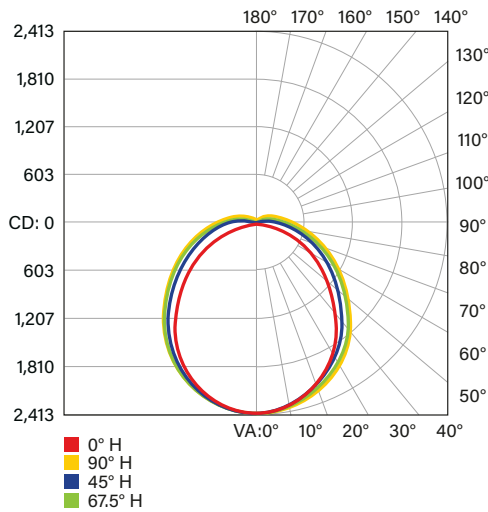


ZONAL LUMEN SUMMARY

Zone	Lumens	% Luminaire
0-30	1,112.6	24.7%
0-40	1,808.2	40.2%
0-60	3,151.6	70.1%
60-90	1,092.3	24.3%
70-100	730.4	16.2%
90-120	249.7	5.6%
0-90	4,243.9	94.3%
90-180	254.8	5.7%
0-180	4,498.7	100%

PHOTOMETRIC SPECIFICATIONS (KT-RKIT50PS-8S-8CSA-VDIM /CR)

POLAR CANDELA DISTRIBUTION



ZONAL LUMEN SUMMARY

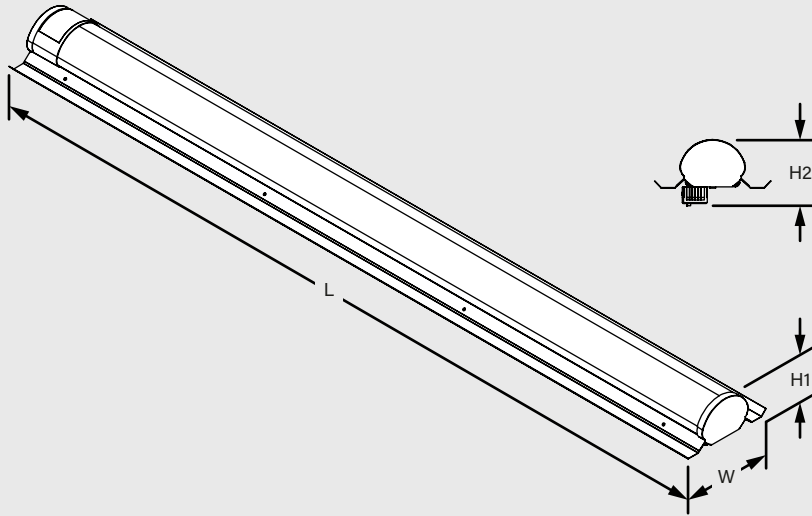
Zone	Lumens	% Luminaire
0-30	1,854.34	24.7%
0-40	3,013.95	40.2%
0-60	5,253.36	70.1%
60-90	2,415.56	32.2%
70-100	1,344.08	17.9%
90-120	416.14	5.5%
0-90	7,073.64	94.3%
90-180	424.61	5.7%
0-180	7,498.26	100%

KT-RKITXXPS-XS-8CSA-VDIM /CR

CONTROL READY LED STRIP RETROFIT

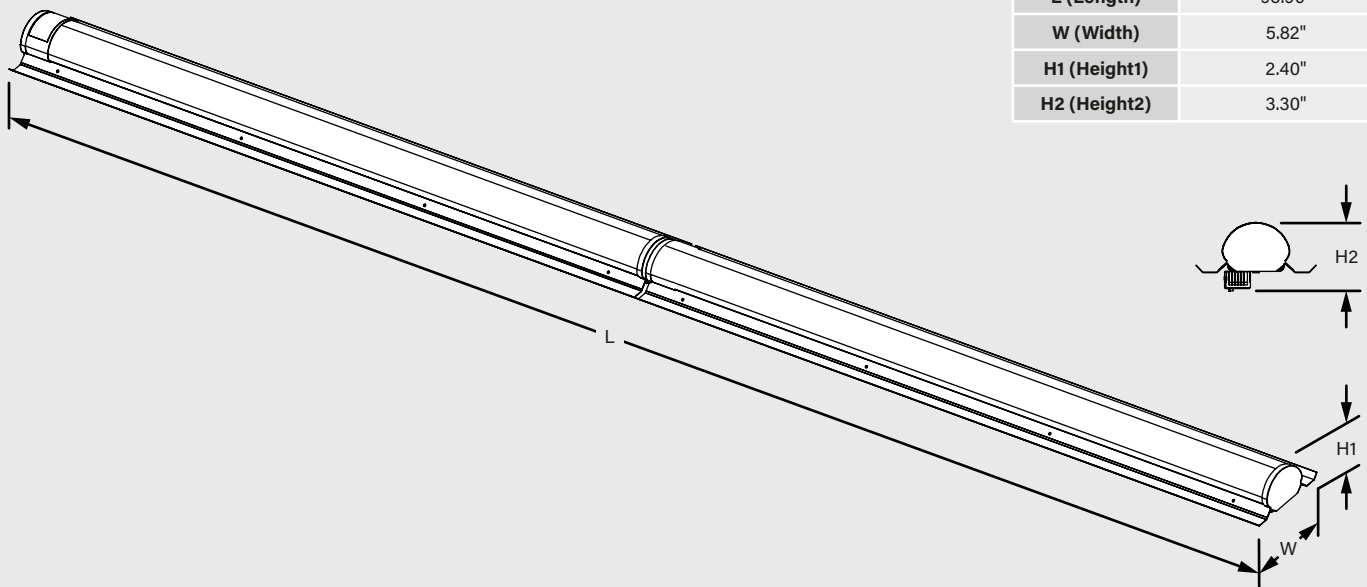
PHYSICAL SPECIFICATIONS

KT-RKIT30PS-4S-8CSA-VDIM /CR



KT-RKIT30PS-4S-8CSA-VDIM /CR	
L (Length)	47.95"
W (Width)	5.82"
H1 (Height1)	2.42"
H2 (Height2)	3.30"

KT-RKIT50PS-8S-8CSA-VDIM /CR



KT-RKIT50PS-8S-8CSA-VDIM /CRV	
L (Length)	95.90"
W (Width)	5.82"
H1 (Height1)	2.40"
H2 (Height2)	3.30"

KT-RKITXXPS-XS-8CSA-VDIM /CR

CONTROL READY LED STRIP RETROFIT

ACCESSORIES

SENSORS/CONTROLLERS

Factory-Installable OR Field-Installable (field-installable purchased separately)

✓	SUFFIX*	CATALOG NUMBER	DESCRIPTION	UPC	EASY CODE
	/FC5	KTSL-FC5-12V-IM-PIR	Bluetooth mesh wireless low voltage individual fixture controller for SmartLoop system with integrated daylight and PIR motion sensors.	843654164342	ODF-32
	/FC5N	KTSL-FC5-12V-IM	Bluetooth mesh wireless low voltage individual fixture controller for SmartLoop system.	843654176314	UBB-00



SmartLoop PIR Sensor
KTSL-FC1-UV-KO-PIR



SmartLoop PIR Sensor
KTSL-FC5-12V-IM

* For factory installation of accessory, add suffix to fixture part number (see ordering examples and instructions on last page of spec sheet).

Note: Keystone SmartLoop is a DLC Qualified Network Lighting Control solution, offering advanced functions such as complete wireless control, zoning, high-end trim, occupancy/vacancy sensing, scene setting, and scheduling. To learn more about SmartLoop, please visit <http://www.keystonetech.com/smartloop>.

EMERGENCY BACKUPS

Factory-Installable OR Field-Installable (field-installable purchased separately)

✓	SUFFIX*	CATALOG NUMBER	DESCRIPTION	UPC	EASY CODE
	/EM12	KT-EMRG-LED-12C-1200	LED Emergency Back-Up, 12W Constant Wattage Design. Approx 1200 Lumens. 120-277V Input. Remote Compact Battery Pack. CEC T20 Compliant.	843654103112	OJQ-32

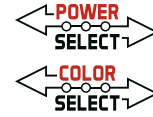


12W, 1200 lumen Battery Backup
KT-EMRG-LED-12C-1200

* For factory installation of accessory, add suffix to fixture part number (see ordering examples and instructions on last page of spec sheet).

Note: Factory installation of emergency backup units will automatically include any relevant mounting bracket.

(Accessories continued on next page)



KT-RKITXXPS-XS-8CSA-VDIM /CR

CONTROL READY LED STRIP RETROFIT

ORDERING INFORMATION

Catalog Number	Carton QTY	Upc	Easy Code	DLC ID
KT-RKIT30PS-4S-8CSA-VDIM /CR	2	843654175768	EUS-03	TBD
KT-RKIT50PS-8S-8CSA-VDIM /CR	1	843654175775	CIR-80	TBD

CATALOG NUMBER BREAKDOWN

KT-RKITXXPS-XS-8CSA-VDIM /CR

- 1
- 2
- 3
- 4
- 5
- 6
- 7
- 8
- 9
- 10
- 11

- 1** Keystone Technologies
- 2** Retrofit Kit
- 3** Max Wattage
- 4** Power Select
- 5** Nominal Size
- 6** Strip
- 7** 80 CRI
- 8** Color Select
- 9** Color Select Designation
- 10** 0-10V Dimming
- 11** Control Ready

3 Max Wattage	
30	30W
50	50W

5 Nominal Size	
4	4ft
8	8ft

9 Color Select Designation	
A	3500/4000/5000K
B	3000/4000/5000K

ORDERING EXAMPLES

FIXTURE WITH MULTIPLE FACTORY-INSTALLED ACCESSORIES*

KT-RKIT30PS-4S-8CSA-VDIM /CR /FC5 /EM12

FIXTURE WITH SINGLE FACTORY-INSTALLED ACCESSORY*

KT-RKIT30PS-4S-8CSA-VDIM /CR /FC5

FIXTURE WITH NO FACTORY-INSTALLED ACCESSORIES*

KT-RKIT30PS-4S-8CSA-VDIM /CR

KEYSTONE FIXTURE	
CATALOG NUMBER	
KT-RKIT30PS-4S-8CSA-VDIM /CR	

SENSORS/CONTROLLERS		
✓	SUFFIX*	CATALOG NUMBER
	/FC5	KTSL-FC5-12V-IM-PIR

EMERGENCY BACKUPS		
✓	SUFFIX*	CATALOG NUMBER
	/EM12	KT-EMRG-LED-12C-1200

* When ordering more than one factory-installed accessory, use multiple suffixes as shown in the ordering examples above.
Note: All accessories can also be ordered separately for field installation using just their regular Catalog Number, UPC, or Easy Code.