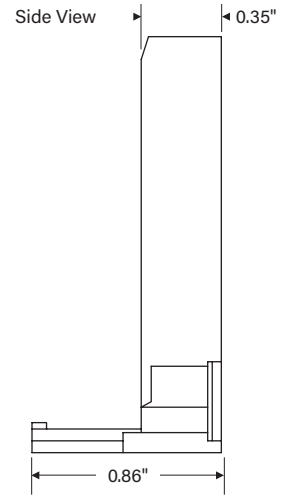
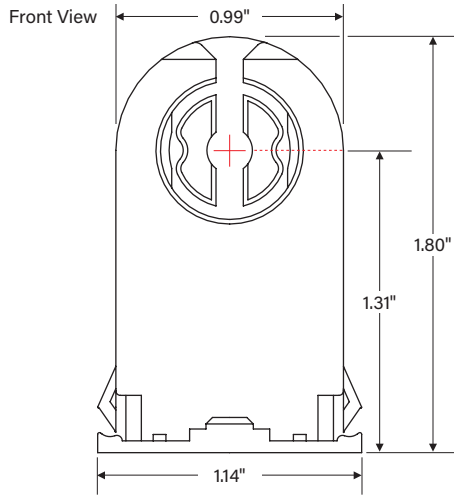
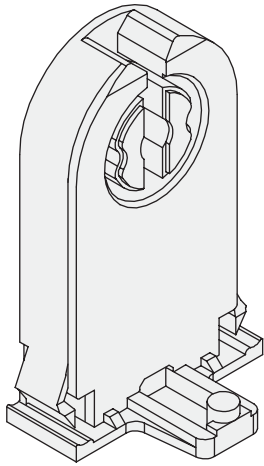




NON-SHUNTED MEDIUM BI-PIN SOCKETS

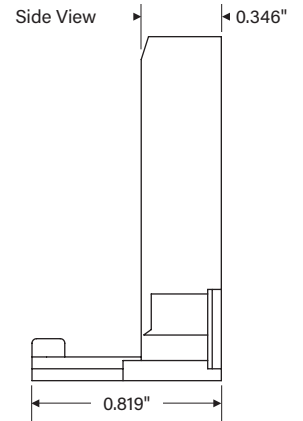
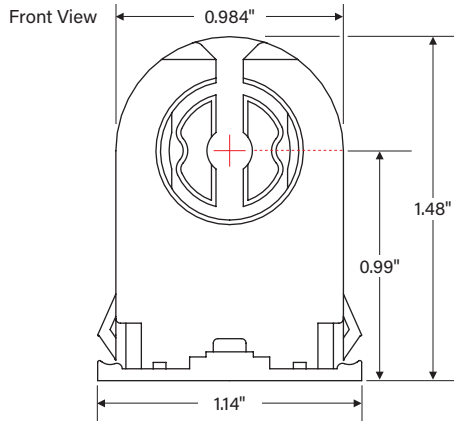
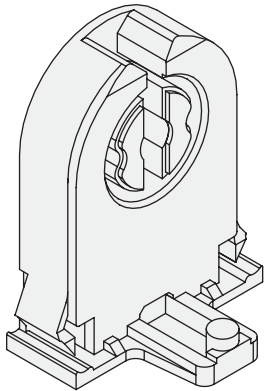
KT-SOCKET-T8-U-T

Tall Medium Bi-Pin Socket | Snap-In with Nib | Non-Shunted | For T8 and T12 Lamps



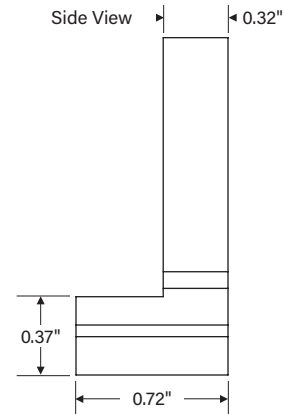
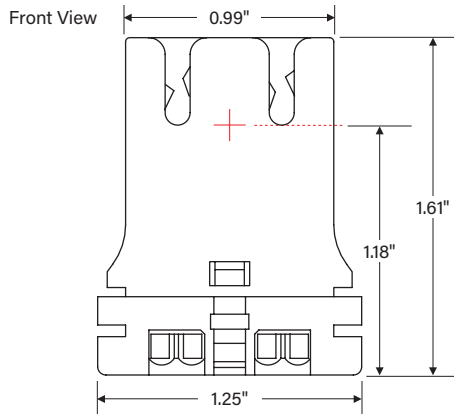
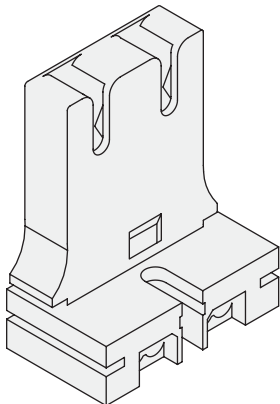
KT-SOCKET-T8-U-S

Standard Medium Bi-Pin Socket | Snap-In with Nib | Non-Shunted | For T8 and T12 Lamps



KT-SOCKET-T8-U-SI

Standard Medium Bi-Pin Socket | Slide-On / Snap-In | Non-Shunted | For T8 U-Bend Lamps





NON-SHUNTED MEDIUM BI-PIN SOCKETS

KT-SOCKET-T8S-U-S

Short Medium Bi-Pin Socket | Slide-On No Nib | Non-Shunted | For T8 Lamps

