

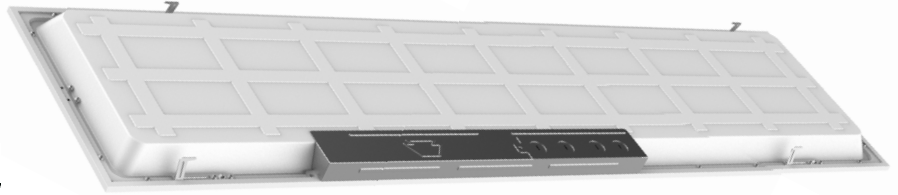


# KT-BPLED40-14-8XX-VDIM

## BACKLIT LED PANEL LIGHT

### DESCRIPTION

1'x4' LED panel light | 40W | 120-277V input | 0-10V dimming



**10 YEAR LIMITED WARRANTY**

### PRODUCT FEATURES

- Aluminum frame featuring stepped edge design detail and gloss white paint for improved aesthetics
- New backlit style design; fits standard T-grid ceilings
- Suitable for recessed or surface mount (with optional accessories)\*
- Construction features precise optical lenses over each individual LED, offering optimal light diffusion and consistent surface illumination, with no risk of yellowing over product lifetime
- Suitable for damp locations
- Powered by Keystone 0-10V dimmable LED driver with built-in junction box
- Compatible with Keystone SmartSafe LED emergency backup
- Over 50% energy savings compared to traditional fluorescent troffers
- Operating temp range -20°C/-4°F to 40°C/104°F

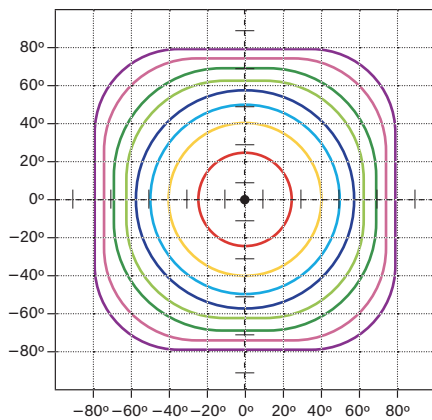
\* For use in non-fire rated installations only

### PERFORMANCE SPECIFICATIONS

Catalog Number	Input Voltage	Wattage	Color Temperature	Lumen Output	CRI	Power Factor	Efficacy	Lifetime
KT-BPLED40-14-835-VDIM	120-277V	40W	3500K	4,400	>80	>0.9	110 lm/W	50,000 Hours
KT-BPLED40-14-840-VDIM	120-277V	40W	4000K	4,400	>80	>0.9	110 lm/W	50,000 Hours
KT-BPLED40-14-850-VDIM	120-277V	40W	5000K	4,400	>80	>0.9	110 lm/W	50,000 Hours

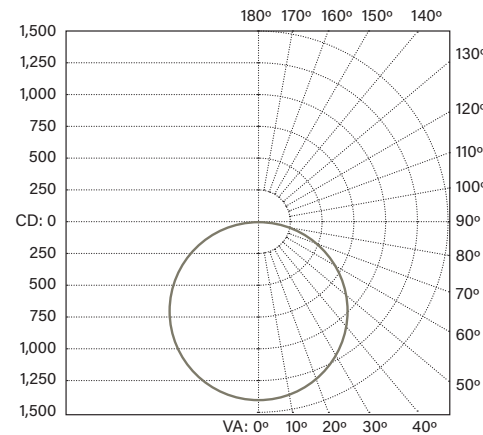
### PHOTOMETRIC SPECIFICATIONS

#### ISOCANDELA PLOT



- Cd: 1,271, 90%
- Cd: 1,059, 75%
- Cd: 848, 60%
- Cd: 706, 50%
- Cd: 565, 40%
- Cd: 424, 30%
- Cd: 283, 20%
- Cd: 141, 10%

#### POLAR CANDELA DISTRIBUTION



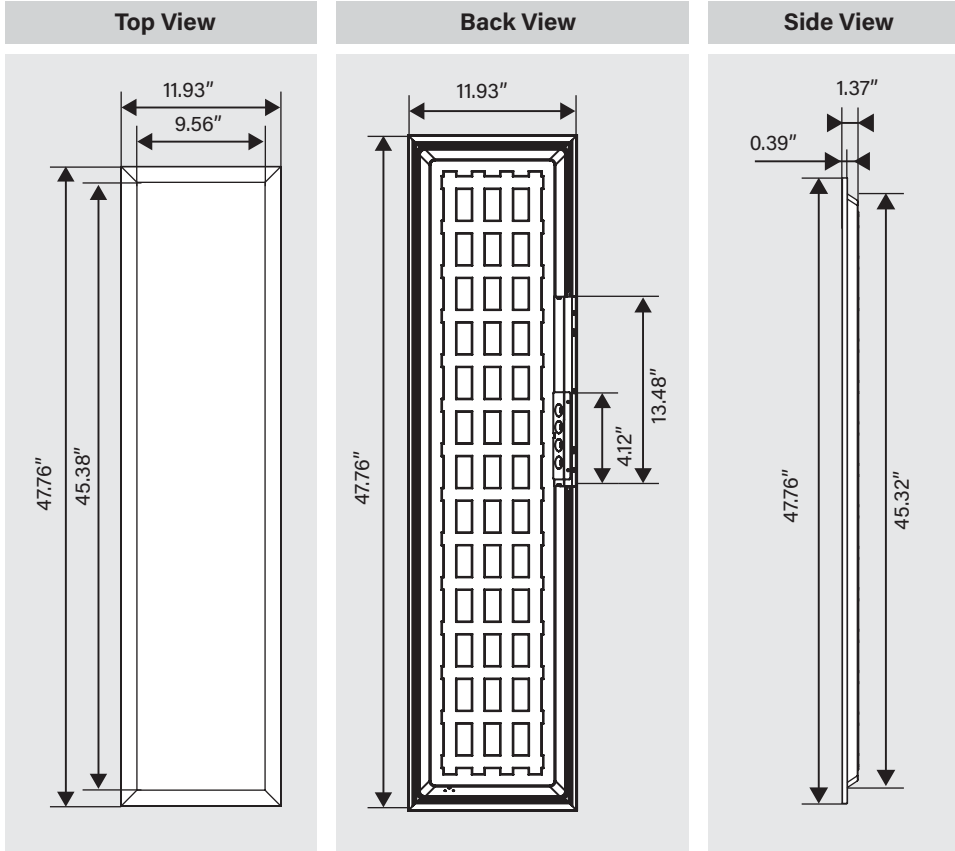
- 0° H
- 90° H
- 22.5° H
- 45° H
- 67.5° H

#### ZONAL LUMEN SUMMARY

Zone	Lumens	% Luminaire
0-30	1,105.0	26.4%
0-40	1,818.0	43.4%
0-60	3,244.7	77.5%
60-90	934.3	22.3%
70-100	408.1	9.7%
90-120	3.9	0.1%
0-90	4,179.0	99.8%
90-180	9.8	0.2%
0-180	4,188.8	100%

**KT-BPLED40-14-8XX-VDIM**  
BACKLIT LED PANEL LIGHT

**PHYSICAL SPECIFICATIONS**

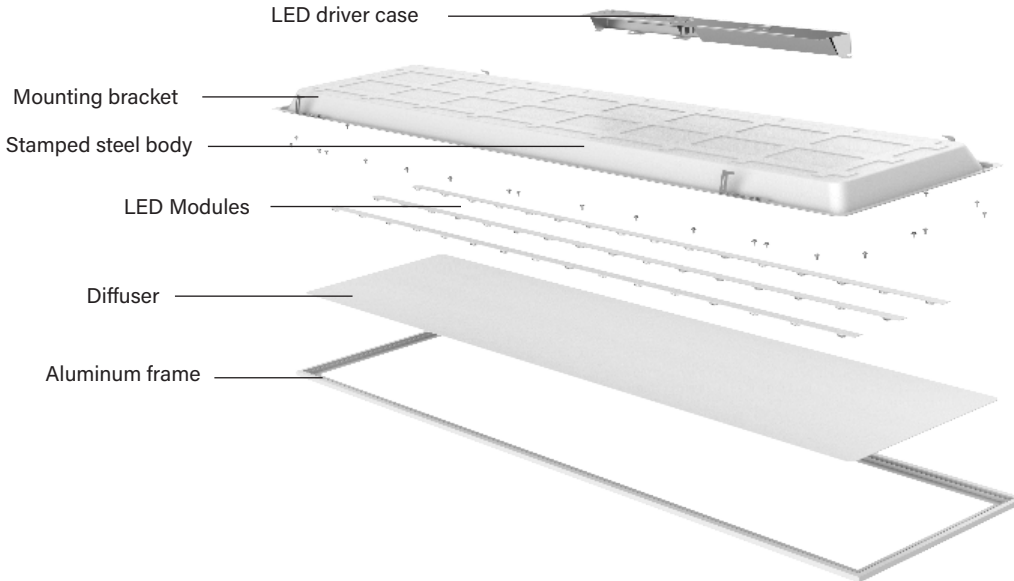


**WEIGHT INFORMATION**

1 Piece	1 Carton
6.2 lbs	12.4 lbs

**EXPLODED VIEW**

**CONSTRUCTION FEATURES**



# KT-BPLED40-14-8XX-VDIM

## BACKLIT LED PANEL LIGHT

**ACCESSORIES**

**SENSORS**

**Factory-Installable OR Field-Installable** (field-installable purchased separately)

✓	SUFFIX*	CATALOG NUMBER	DESCRIPTION	UPC	EASY CODE
	/FC1-PIR	KTSL-FC1-UV-KO-PIR	Bluetooth Mesh Wireless Fixture Controller for SmartLoop System with emote mountable daylight and PIR motion sensor. 120-277V. 3A Max Load with 0-10V Dimming	843654129259	MGZ-59



Smart Loop PIR Sensor  
KTSL-FC1-UV-KO-PIR

\* For factory installation of accessory, add suffix to fixture part number (see ordering examples and instructions on last page of spec sheet).

**CORD SETS**

**Factory-Installable OR Field-Installable** (field-installable purchased separately)

✓	SUFFIX*	CATALOG NUMBER	DESCRIPTION	UPC	EASY CODE
	/515P6	KT-CS-515P-6-18/3	Cord set for high bay; 125V NEMA 5-15P; straight blade plug; 6' SJTOW cable; 18/3 wire	843654140124	UKH-26
	/NP10	KT-CS-NP-10-16/3	Cord for high bays; no plug; inners 1/2" strip on both ends; 10' SJTOW cable; 16/3 wire	843654140193	YOH-90
	/NP6	KT-CS-NP-6-16/3	Cord for high bays; no plug; inners 1/2" strip on both ends; 6' SJTOW cable; 16/3 wire	843654140216	HUB-73
	/NP15	KT-CS-NP-15-16/3	Cord for high bays; no plug; inners 1/2" strip on both ends; 15' SJTOW cable; 16/3 wire	843654140209	EYD-18
	/MC13	KT-MC-NP-1-18/3	Metal clad cable for fixtures, No Plug, 1ft long, 18/3 wire (L,N,G)	843654139777	AYT-71
	/MC63	KT-MC-NP-6-18/3	Metal clad cable for fixtures. No Plug. 6ft long. 18/3 wire (L,N,G)	843654134505	EYP-82
	/MC65	KT-MC-NP-6-18/5	Metal clad cable for fixtures. No Plug. 6ft long. 18/5 wire (L,N,G, LV)	843654134512	CBU-56
	/MC66	KT-MC-NP-6-18/6	Metal clad cable for fixtures. No Plug. 6ft long. 18/6 wire (L,S,N,G, LV)	843654164229	KFF-99

\* For factory installation of accessory, add suffix to fixture part number (see ordering examples and instructions on last page of spec sheet).

**Note:** For cord sets not listed here, please contact your Keystone sales rep.

(Accessories continued on next page)



# KT-BPLED40-14-8XX-VDIM

## BACKLIT LED PANEL LIGHT

### ACCESSORIES (continued)

#### EMERGENCY BACKUP

Factory-Installable OR Field-Installable (field-installable purchased separately)

✓	SUFFIX*	CATALOG NUMBER	DESCRIPTION	UPC	EASY CODE
	/EM5†	KT-EMRG-LED-5C-500-EN /DF	5W, 500 lumen Smart Safe emergency backup with dual flex cables	843654132433	RAR-74
	/EM12†	KT-EMRG-LED-12C-1200-EN /DF	12W, 1200 lumen Smart Safe emergency backup with dual flex cables	890949019900	YCV-23



5W, 500 lumen Battery Backup  
KT-EMRG-LED-5C-500-EN /DF

12W, 1200 lumen Battery Backup  
KT-EMRG-LED-12C-1200-EN /DF

\* For factory installation of accessory, add suffix to fixture part number (see ordering examples and instructions on last page of spec sheet).  
† Factory installation of emergency backup units will automatically include any relevant mounting bracket.

Field-Installable / Field-Use ONLY (purchased separately)

CATALOG NUMBER	DESCRIPTION	UPC	EASY CODE
KT-BPLED-EM-14-KIT	Emergency LED backup mounting bracket kit for LED high bay fixtures	843654128054	HHL-04



Emergency Backup Mounting  
Bracket  
KT-BPLED-EM-14-KIT

(Accessories continued on next page)

# KT-BPLED40-14-8XX-VDIM

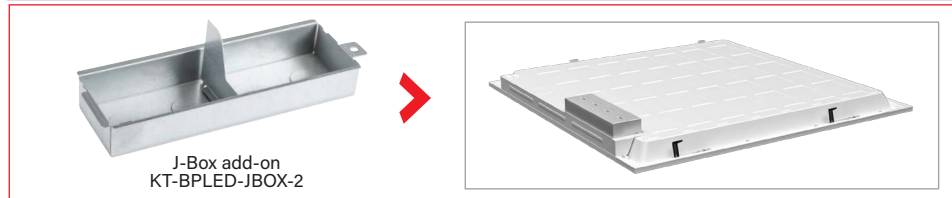
## BACKLIT LED PANEL LIGHT

**ACCESSORIES (continued)**

**MOUNTS AND BRACKETS**

**Factory-Installable OR Field-Installable** (field-installable purchased separately)

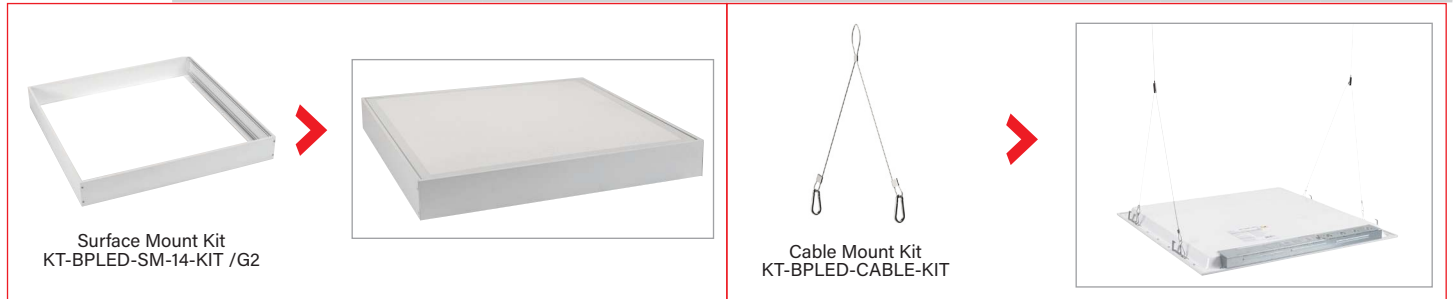
✓	SUFFIX*	CATALOG NUMBER	DESCRIPTION	UPC	EASY CODE
	/JBOX	KT-BPLED-JBOX-1	Larger J-Box add-on for LED Backlit Panels	843654128092	MYW-25



\* For factory installation of accessory, add suffix to fixture part number (see ordering examples and instructions on last page of spec sheet).

**Field-Installable / Field-Use ONLY** (purchased separately)

CATALOG NUMBER	DESCRIPTION	UPC	EASY CODE
KT-BPLED-SM-14-KIT /G2	Surface Mount Kit 1x4 Backlit panels	843654134529	GAD-66
KT-BPLED-CABLE-KIT	Aircraft cable hanging kit for LED high bay fixtures	843654133423	JLB-77





# KT-BPLED40-14-8XX-VDIM

## BACKLIT LED PANEL LIGHT

**ORDERING INFORMATION**

CATALOG NUMBER	CARTON QTY.	UPC	EASY CODE	DLC PRODUCT ID
KT-BPLED40-14-835-VDIM	2	843654127835	PIM-68	PC3HFE6H
KT-BPLED40-14-840-VDIM	2	843654127842	PYY-43	PMP1PYE4
KT-BPLED40-14-850-VDIM	2	843654127859	PEB-32	P6M9RF2Y

**CATALOG NUMBER BREAKDOWN**

# KT-BPLED40-14-8XX-VDIM

- 1
- 2
- 3
- 4
- 5
- 6
- 7
- 8

- 1** Keystone Technologies
- 2** Backlit Panel Light LED Fixture
- 3** Wattage
- 4** 1' x 4' Nominal Size
- 5** 800 Series
- 6** Color Temperature
- 7** 0-10V Dimming
- 8** Sensor Options

**8 Sensor Options**

	No option
/FC1-PIR	Occupancy sensor included

**ORDERING EXAMPLES**

FIXTURE WITH MULTIPLE FACTORY-INSTALLED ACCESSORIES\*

**KT-BPLED40-14-8XX-VDIM /FC1-PIR/L715P6/EM5/JBOX**

FIXTURE WITH MULTIPLE FACTORY-INSTALLED ACCESSORIES\*

**KT-BPLED40-14-8XX-VDIM /FC1-PIR/EM5/JBOX**

FIXTURE WITH TWO FACTORY-INSTALLED ACCESSORIES\*

**KT-BPLED40-14-8XX-VDIM /FC1-PIR/L715P6**

FIXTURE WITH SINGLE FACTORY-INSTALLED ACCESSORY

**KT-BPLED40-14-8XX-VDIM /FC1-PIR**

FIXTURE WITH NO FACTORY-INSTALLED ACCESSORIES

**KT-BPLED40-14-8XX-VDIM**

**KEYSTONE FIXTURE**

CATALOG NUMBER
KT-BPLED40-14-8XX-VDIM

**SENSORS**

✓ SUFFIX	CATALOG NUMBER
✓ /FC1-PIR	KTSL-FC1-UV-KO-PIR

**CORD SETS**

✓ SUFFIX	CATALOG NUMBER
✓ /L715P6	KT-CS-L715P-6-16/3

**EMERGENCY BACKUP**

✓ SUFFIX	CATALOG NUMBER
✓ /EM5	KT-EMRG-LED-5C-500-EN /DF

**MOUNTS AND BRACKETS**

✓ SUFFIX	CATALOG NUMBER
✓ /JBOX	KT-BPLED-JBOX-1

\*When ordering more than one factory-installed accessory, use multiple suffixes as shown in the ordering examples above.  
 Note: All accessories can also be ordered separately for field installation using just their regular Catalog Number, UPC, or Easy Code.