

## 400W HIGH VOLTAGE ROUND LED HIGH BAY FIXTURE

### INSTALLATION INSTRUCTIONS

**PLEASE FIND A QUALIFIED ELECTRICIAN FOR INSTALLATION. Please read the instructions before you install and use the fixture.**

#### APPLICATION

Used for commercial and industrial high bay lighting applications (including warehouses, factories, workshops, highway toll stations, gas stations, exhibition halls, gymnasiums, supermarkets, and other general area lighting requirements).

**Caution:** Before installing, make certain that AC power to the fixture is off.

#### SAFETY AND ELECTRICAL PARAMETERS

##### Warning

- To reduce the risk of death, personal injury or property damage from fire, electric shock, falling parts, cuts/abrasions, and other hazards, read all warnings and instructions included with and or the fixture box and fixture labels.
- Before installing, servicing, or performing routine maintenance upon this equipment, follow these general precautions.
- Commercial installation, service, and maintenance of luminaires should be performed by a qualified licensed electrician.
- If you are unsure about the installation or maintenance of the luminaires, consult a qualified licensed electrician. **Please abide by all relevant country, regional and local code requirements and regulations when installing this luminaire.** Wiring must be in accordance with NEC and all applicable local codes.
- Do not make or alter any unnecessary holes in an enclosure of wiring or electrical components during the installation.

##### Warning

- Turn off electrical power at the fuse or circuit breaker box before wiring fixture to the pole/site/building power.
- Turn off the electrical power when you perform any maintenance.
- Verify that supply voltage is correct by comparing it with the luminaire label information. Do not install with supply voltage that exceeds the rated input voltage of the luminaire.
- All wiring connections should be capped with UL approved wire connectors.

##### Caution

- Can not use the electric generator to test the LED light
- Please abide by related country, regional and local laws and regulations when installing fixture.
- Please turn off the power before installation or maintenance.
- Proper earth grounding is required to ensure safety.

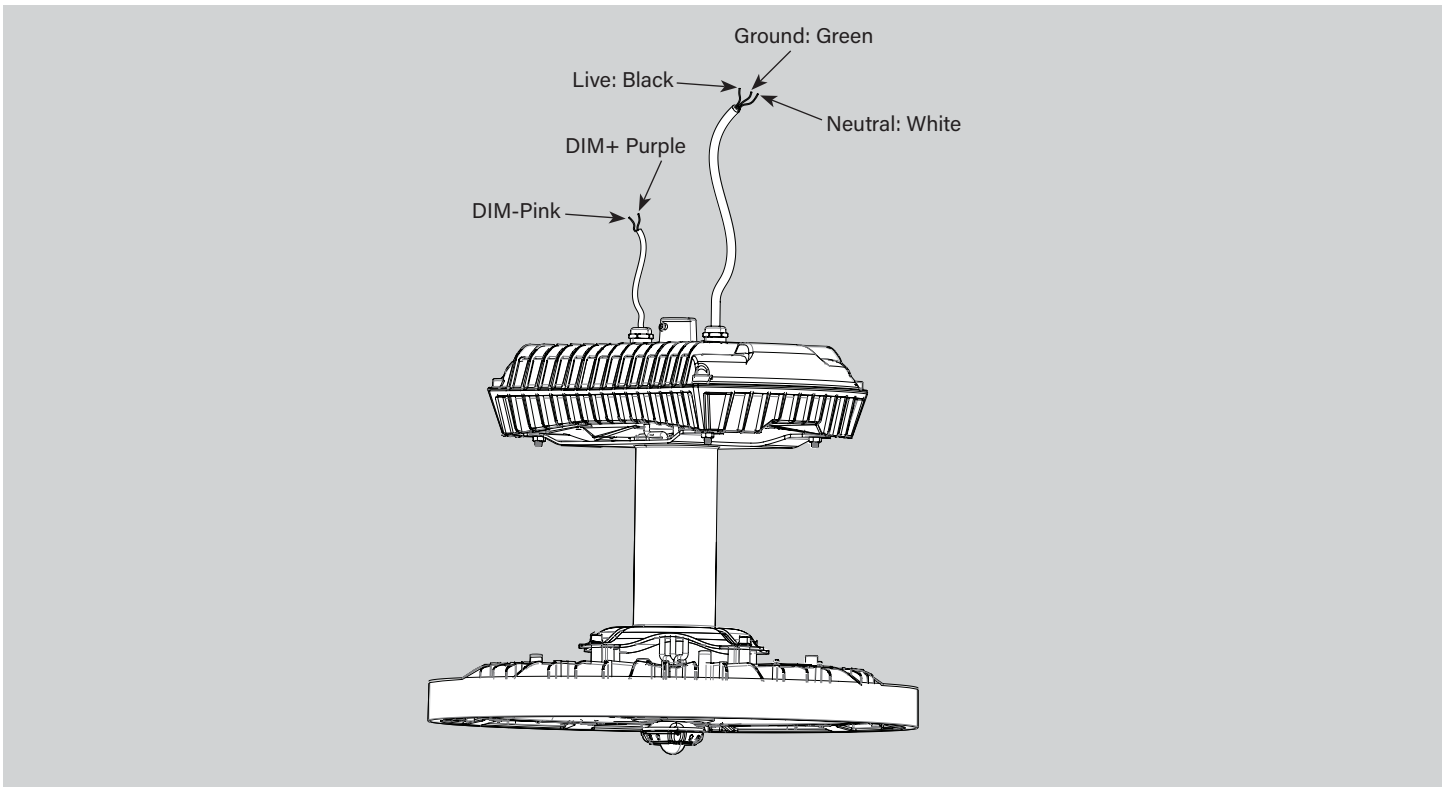
##### Notice

- All fixture installs must be properly grounded.
- Minimum of 75°C/167°F supply conductors.
- Specifications and dimensions subject to change without notice. Consult Keystone with any questions or concerns.
- Fixture is IP65 Rated. Suitable for WET LOCATION.
- Ensure ambient operating temperature is maintained:
  - without sensor: -40°C/-40°F to 60°C/140°F
  - with sensor: -30°C/-22°F to 60°C/140°F

Exceeding these temperature ranges will void warranty and may reduce lifetime or cause performance issues.

- Inspect fixture for any damages before installing. If there is any damage, please do not install and contact Keystone or authorized distributor for resolution.

## WIRING DIAGRAM



- All fixtures come pre-wired. Make input connections as needed and ensure connections are protected from exposure to the elements.
- Keystone round LED high bay input voltage: 277-480V
- Ensure that input voltage on site matches the fixture you intend to install.

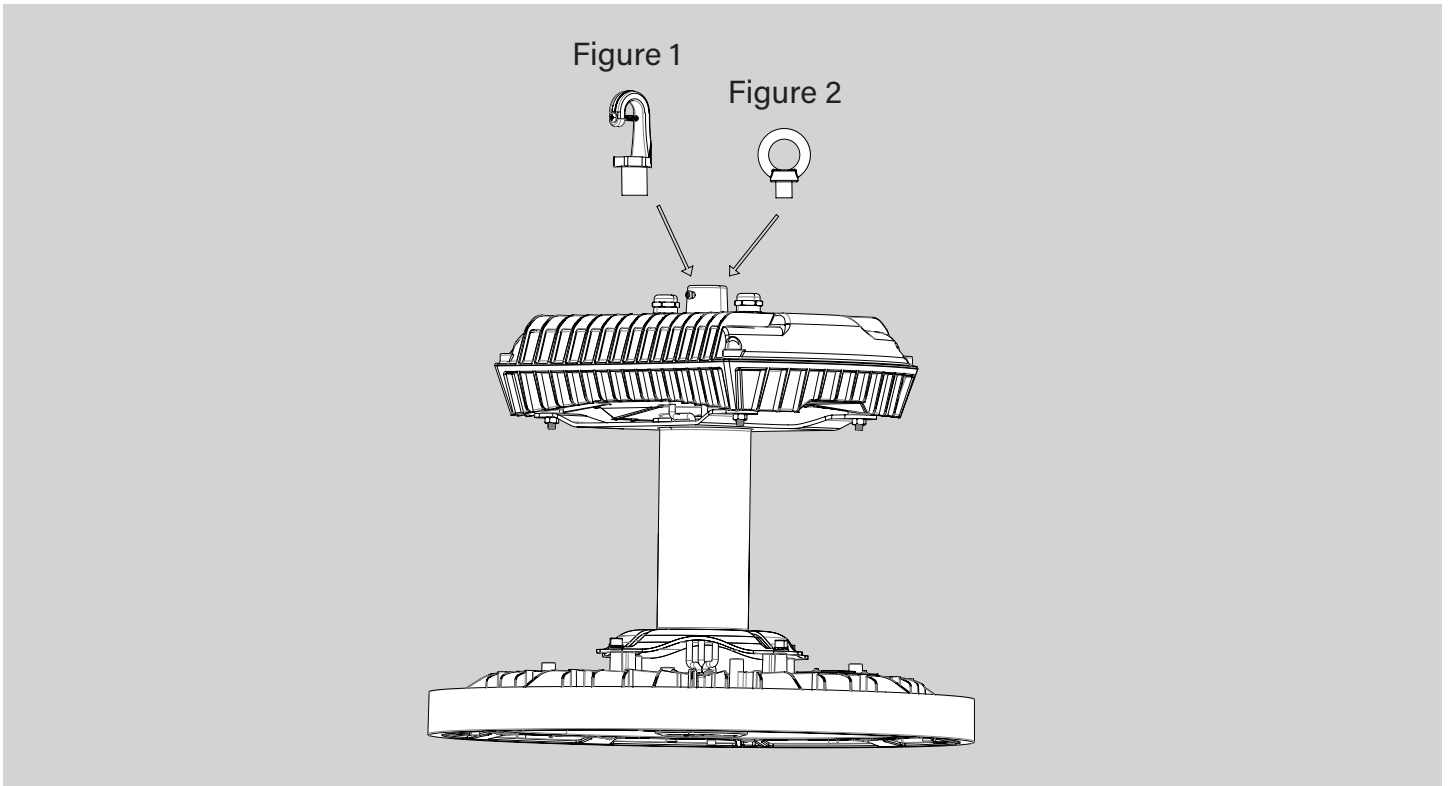
**Installation methods: Hook Mount, Surface Mount. (Please choose the most suitable installation method for the purchased product as per your needs)**

### Description:

This product is 0-10V dimming, below dimmers are recommended:

Brand	Model
LUTON	NTSTV-DV
LEVITON	DS710-10Z / IP710
LEGRAND	RH4FBL3PW

- This LED high bay can be equipped with low voltage motion sensors via the threaded sensor receptacle in the center of the LED light source. Tool and wire-free install.
- 0-10V dimming
- Please use the dimming+, dimming-(DC 10V) marking leads to connect to outside dimmer.
- The pink wire and black wire with shrinkable tubing shall not be damaged (no connection) Class one wiring only.
- Please assure cumulative leakage current of less than 3.5MA on control circuit.

**INSTALLATION INSTRUCTIONS:****HOOK MOUNT**

1. Ensure power is off to fixture.
2. Screw the hook into the fixture, tighten and fix it. (Figure 1)
3. Fix screws into the holes with a hammer. (Figure 4)
4. Align the bracket hole with screw hole (Figure 5), and push the fixture to one side (Figure 6) and fix it.
5. After installation, connect the wire of the fixture to the mains according to local wiring rules, ensure the connection is table and make good protection on the connection. By adjusting the brackets screws, users can adjust 50 to the left or right vertically. (Figure 7) (see *Wiring Diagram page*)
6. Reconnect power when ready.

**INSTALLATION INSTRUCTIONS (CONTINUED):****SURFACE MOUNT**

Figure 3

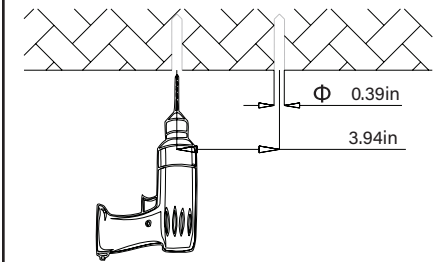


Figure 4

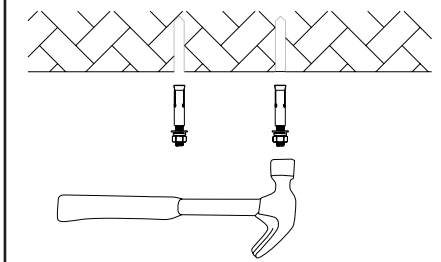


Figure 5

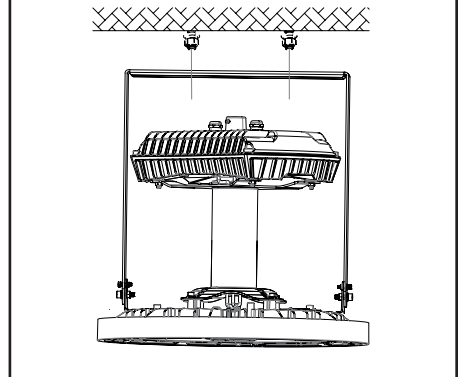


Figure 6

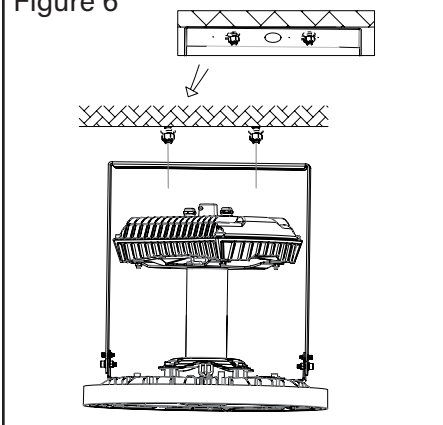
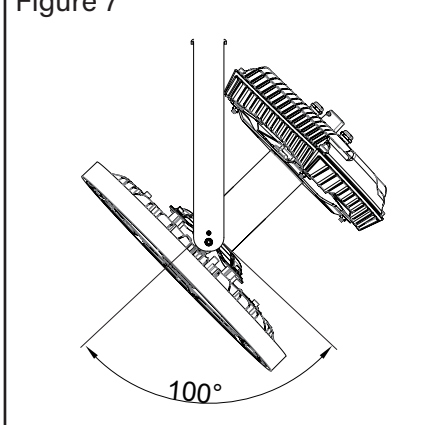


Figure 7



1. Ensure power is off to fixture.
2. Prepare surface as needed to be suitable for fixture mounting bracket. Different surfaces will require different preparations. Ensure the intended mounting area can support the weight of the fixture. (Figure 3 & 4)
3. Align the bracket hole with screw hold (Figure 5), and push the fixture to one side (Figure 6) and complete all necessary hardware fastening.
4. After installation, connect the wire of the fixture to the mains according to local wiring rules, ensure the connection is stable and properly secured protection on the connection. By adjusting the brackets screws, users can adjust 50 degrees to the left or right vertically. (Figure 7) (see *Wiring Diagram* page)
5. Reconnect power when ready.

**INSTALLATION INSTRUCTIONS (CONTINUED):**

**INSTALLATION OF DC MOTION SENSOR**

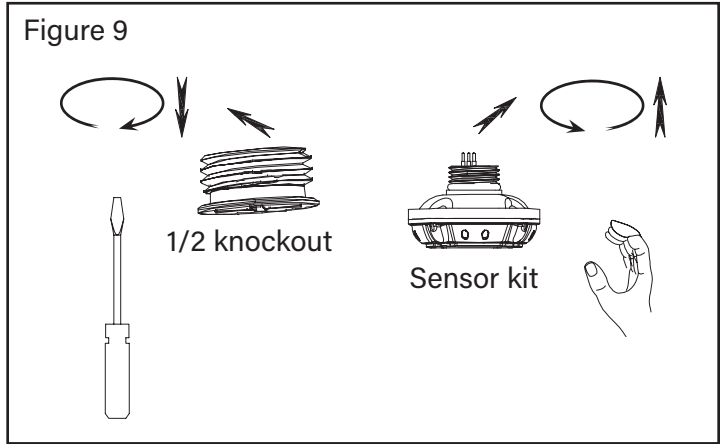
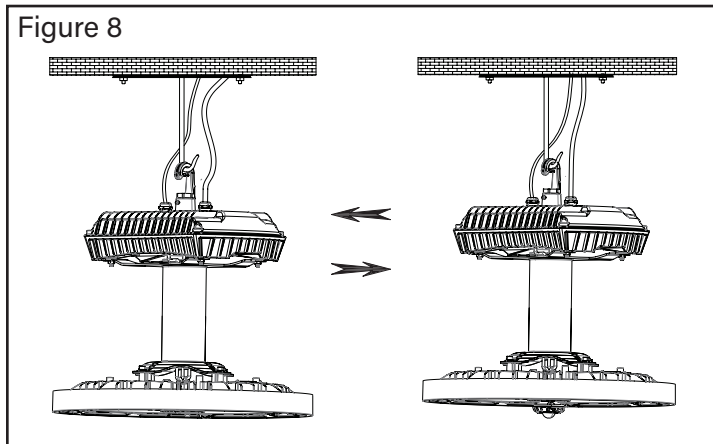


Figure 8 If fixture has sensor receptacle installed, unscrew the 1/2" knockout out with screw driver by illustrated direction, and screw the sensor kit on. The sensor is set as universal mode (refer to sensor spec sheet), the setting is programable via remote control (the remote control is not included in standard packing).

**SELECTABILITY**

**POWER SELECT (WATTAGE) AND COLOR SELECT (CCT) ADJUSTMENT**

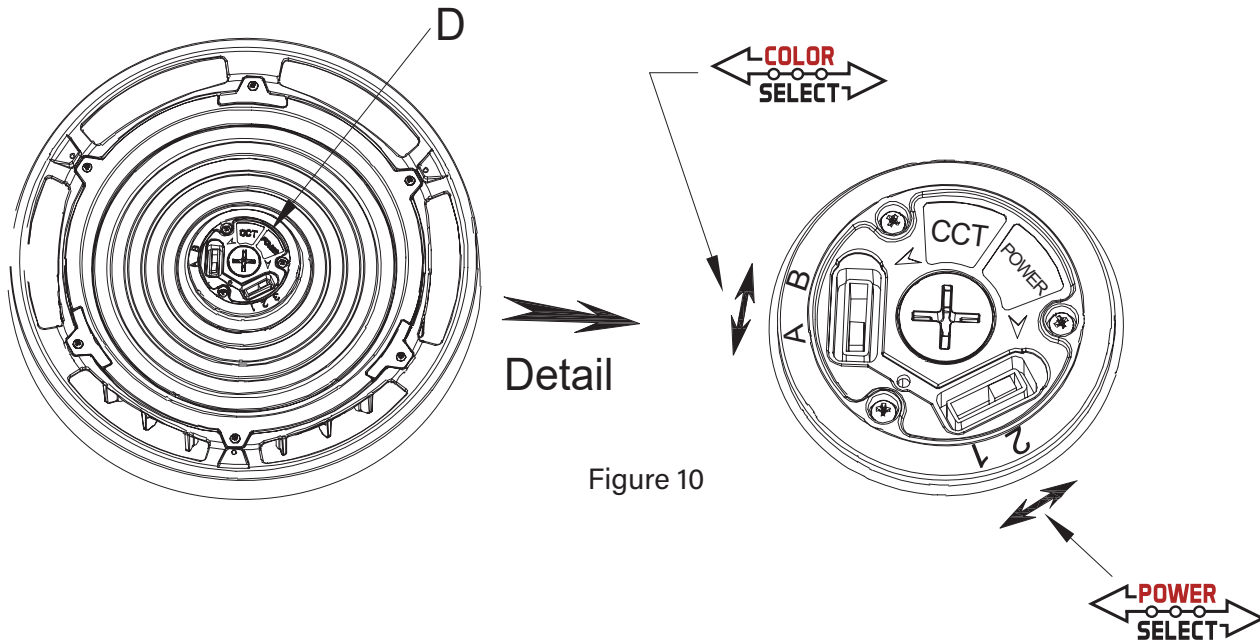


Figure 10

This Fixture features Power Select and Color Select Technology. This allows for (3) field selectable wattages and (2) field selectable CCTs. Remove the water-proof gasket and adjust the dip switch to choose desired settings as per markings on the fixture. Factory settings default to highest power and CCT. (Figure 10).

**ORDERING INFORMATION**

CATALOG NUMBER	PACK QTY.	UPC	EASY CODE
KT-RHLED400PSHV-18C-8CSD-VDIM-P	1	843654156361	DRR-76
KT-RHLED400PSHV-18C-8CSD-VDIM-P /TAA	1	843654158648	MOM-25

**ACCESORIES**

CATALOG NUMBER	DESCRIPTION	UPC	EASY CODE
KT-RHLED-5CC-1-F-KIT	Canopy Cover Feed Kit for Round Highbay   J-Box Mount   5" Round   White   Includes 5ft aircraft cable with adjustable gripper and Hook End. (1)5" canopy cover with Dual Feeds and strain reliefs, & additional hardware.	843654165677	CBD-33
KT-RHLED-5CC-1-F-KIT-B	Canopy Cover Feed Kit for Round Highbay   J-Box Mount   5" Round   Black   Includes 5ft aircraft cable with adjustable gripper and Hook End. (1)5" canopy cover with Dual Feeds and strain reliefs, & additional hardware.	843654165684	ERB-06