



# KT-LED25T8-48G-8XX-DX2

## T8 LED LAMP

### DESCRIPTION

25W T8 LED | 3000–6500K | >83 CRI | High-Efficiency | Single- or Double-ended Wiring



RoHS Compliant



**10 YEAR**  
LIMITED WARRANTY

<b>LAMP TYPE:</b> Linear
<b>BULB TYPE:</b> T8
<b>BASE TYPE:</b> G13 (Medium Bi-Pin)
<b>WATTAGE:</b> 25W
<b>COLOR TEMPERATURE:</b> 3000–6500K
<b>COLOR RENDERING INDEX (CRI):</b> > 83
<b>WARRANTY:</b> 10 Years



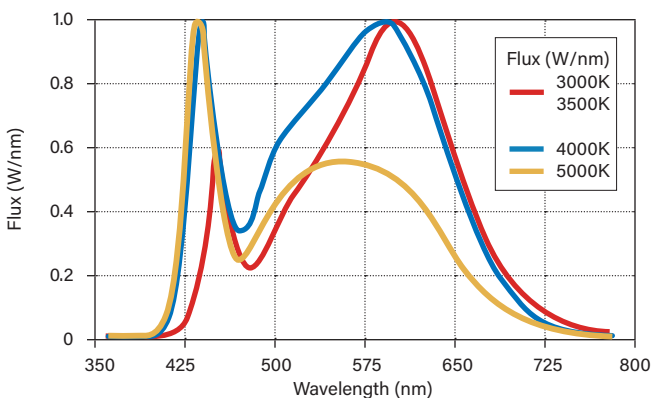
### PRODUCT FEATURES

- Replacement for conventional fluorescent lamp
- Single- or double-ended wiring
- 50,000+ hour lifetime
- Approximately 40% more energy efficient than standard F32T8 lamps
- Environmentally friendly: No mercury used
- Instant startup
- Frosted lens eliminates pixelation
- UL Classified
- Operating temperature: -20°C/-4°F to 45°C/113°F
- Integral driver (isolated) eliminates the need for external driver or ballast
- 110+ Lumens per Watt
- Lamp is dimmable when used with an appropriate dimming accessory (purchased separately). Contact Keystone for more details to find out what is best for the intended application.

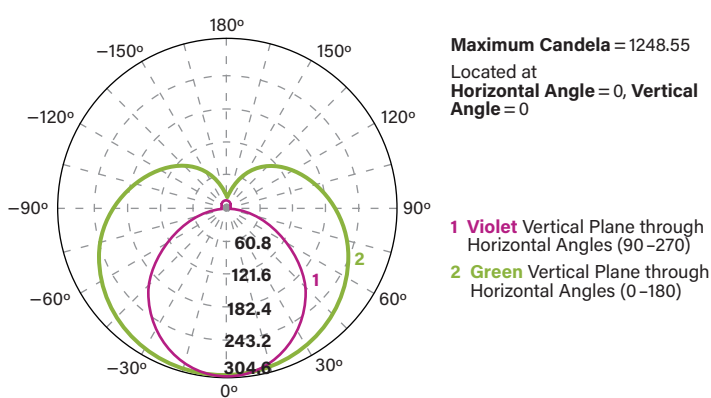
### ELECTRICAL AND PERFORMANCE SPECIFICATIONS

Catalog Number	Input Voltage	Power Consumption	Color Temperature (CCT)	Luminous Flux	Efficacy	Beam Angle	Visible Light Area	Power Factor	Input Current	Rated Life
KT-LED25T8-48G-830-DX2	120–277 Vac	25W	3000K	3000 lm	120 lm/W	240°	325°	>0.9	0.20A @ 120V 0.09A @ 277V	L70 (Hours) 50,000
KT-LED25T8-48G-835-DX2			3500K	3000 lm	120 lm/W					
KT-LED25T8-48G-840-DX2			4000K	2900 lm	116 lm/W					
KT-LED25T8-48G-850-DX2			5000K	3000 lm	120 lm/W					
KT-LED25T8-48G-865-DX2			6500K	-	-					

### SPECTRAL DISTRIBUTION



### POLAR CANDELA DISTRIBUTION





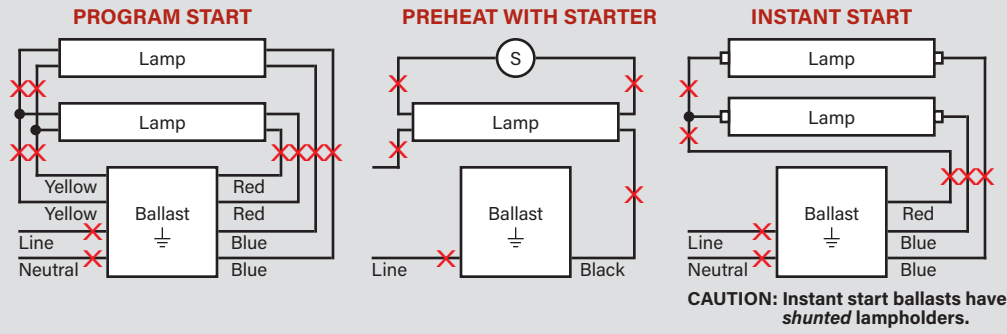
# KT-LED25T8-48G-830-DX2

## T8 LED LAMP

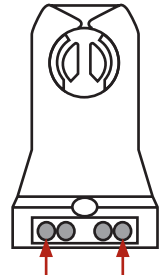
### SINGLE-ENDED WIRING DIAGRAM

1. Cut all existing connections to ballast as shown below and remove ballast. See *Figure A* for typical ballast configurations. **Note: Single-ended wiring requires non-shunted lampholders.**

**FIGURE A** TYPICAL BALLAST CONFIGURATIONS



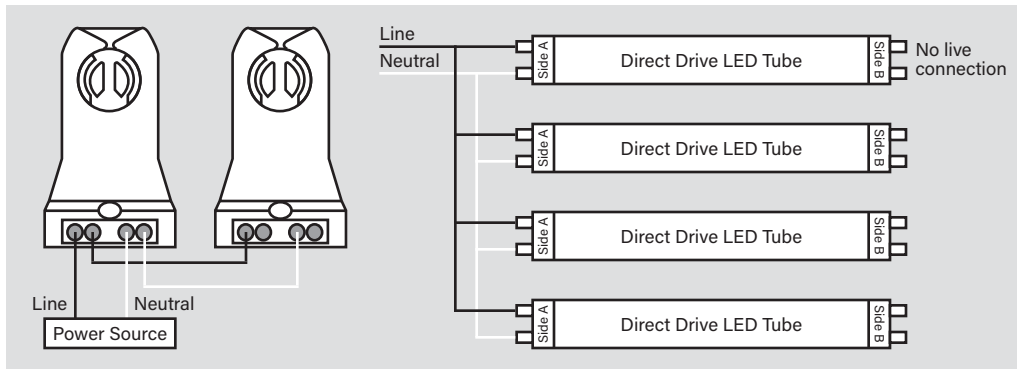
**TYPICAL NON-SHUNTED LAMPHOLDER**



Connect wires directly to these terminals

**CAUTION: FOR SINGLE-ENDED WIRING USE ONLY NON-SHUNTED LAMP HOLDERS.**

2. Rewire fixture as shown below.

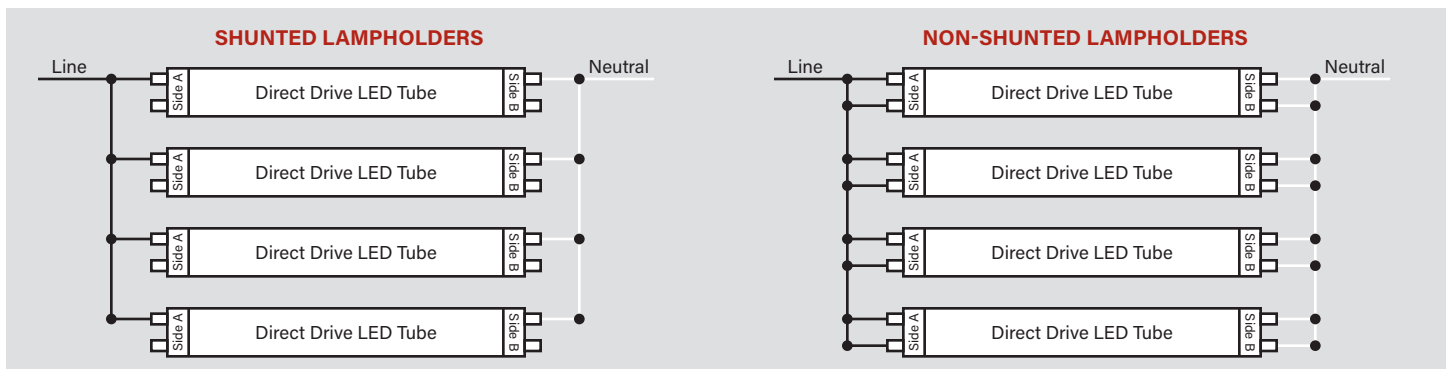


For Single-ended wiring, do not install product in a fixture with shunted lampholders (found in all fixtures using instant start ballasts). If the current lampholders are shunted, remove them and replace them with non-shunted lampholders. Make new connections directly to terminals as indicated above. Keystone can provide any style replacement lampholders. Call us at 800-464-2680.

### DOUBLE-ENDED WIRING DIAGRAM

1. Cut all existing connections to ballast as shown below and remove ballast. See *Figure A* above for typical ballast configurations.
2. Re-wire fixture as shown below. For double-ended wiring, use either shunted or non-shunted lampholders.

**NOTE: There should not be any exposed wires at the end of installation.**

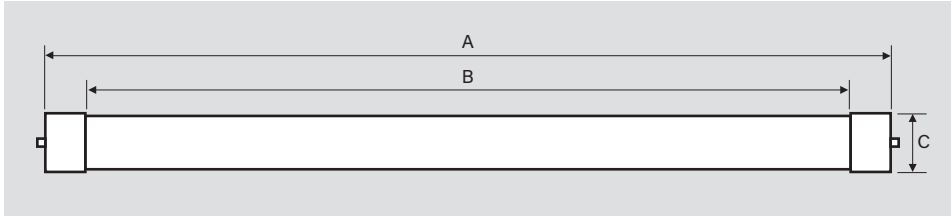




# KT-LED25T8-48G-830-DX2

## T8 LED LAMP

### PHYSICAL SPECIFICATIONS



### LAMP DIMENSIONS

A (Body Length)	47.15"
B (Illuminated Length)	42.63"
C (Diameter)	1.10"

NOMINAL LENGTH: 48"

BASE TYPE: G13 (Medium Bi-Pin)

### ORDERING INFORMATION

ORDER CODE	PACK QTY.	UPC	EASY CODE	DLC PRODUCT ID
KT-LED25T8-48G-830-DX2-CP	25	TBD	TBD	PL3XW0KX0HOB
KT-LED25T8-48G-835-DX2-CP	25	843654123219	KIG-04	PL6OFVN3TWZ2
KT-LED25T8-48G-840-DX2-CP	25	843654123226	EPY-41	PL8DJCDUWUD0
KT-LED25T8-48G-850-DX2-CP	25	843654123233	TME-40	PL1X888X4SI1
KT-LED25T8-48G-865-DX2-CP	25	TBD	TBD	PLU5BG0A4Q6A

### CATALOG NUMBER BREAKDOWN

# KT-LED25T8-48G-8XX-DX2-CP

1 2 3 4 5 6 7 8 9 10

- 1 Keystone Technologies
- 2 LED Lamp
- 3 Wattage
- 4 Lamp Type
- 5 Nominal Length (Inches)
- 6 Glass Construction
- 7 80 CRI
- 8 Color Temperature
- 9 Single- or Double-Ended Wiring
- 10 Packaging Style