



FUTURE FIT
LINEAR LED KITS WITH ALUMAGROOVE

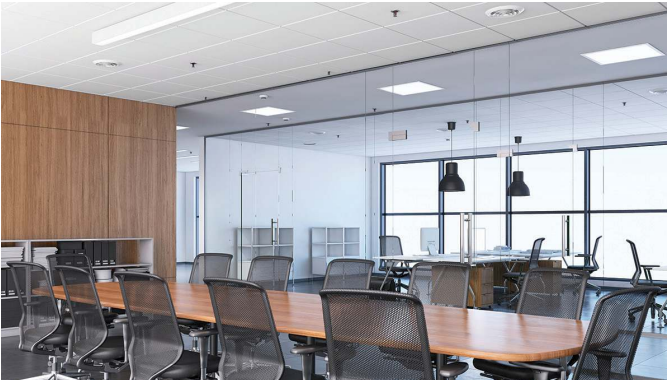


KT-RKIT31PS-2AG22-8XX-VDIM

POWER-SELECTABLE LED RETROFIT KIT



10 YEAR
LIMITED WARRANTY



DESCRIPTION

UL 1598C Classified LED retrofit kit. Includes the following components:

- **(1) Power-Selectable LED Driver • (2) 22" Alumagroove LED Modules • (2) Lenses**
- **Mounting Accessories (Jumper Wires, Tek Screws, Power Quick-Disconnect)**

APPLICATION

Suitable for use in troffers, wraps, strips, vapor tights, and other fixture types

SYSTEM FEATURES

- Power/lumens are selectable via DIP switch
- For use in Class 2 lighting systems
- High lumen density design
- Completely heat sunked; No additional heat sinking needed to maintain LED lifetime
- UL classified for field installation
- 2835 LED chip package
- Beam angle: 120°
- Low-profile WAGO push connectors located on bottom of modules to eliminate dark spots on end-to-end connections
- 120-277V input; High power factor; 0-10V dimming
- Meets FCC Part 15 Class B (consumer) limit for EMI
- Operating temperature: -20°C/-4°F to 55°C/131°F
- THD: < 20%
- Low flicker LED driver



KT-RKIT31PS-2AG22-8XX-VDIM

POWER-SELECTABLE LED RETROFIT KIT

PERFORMANCE SPECIFICATIONS

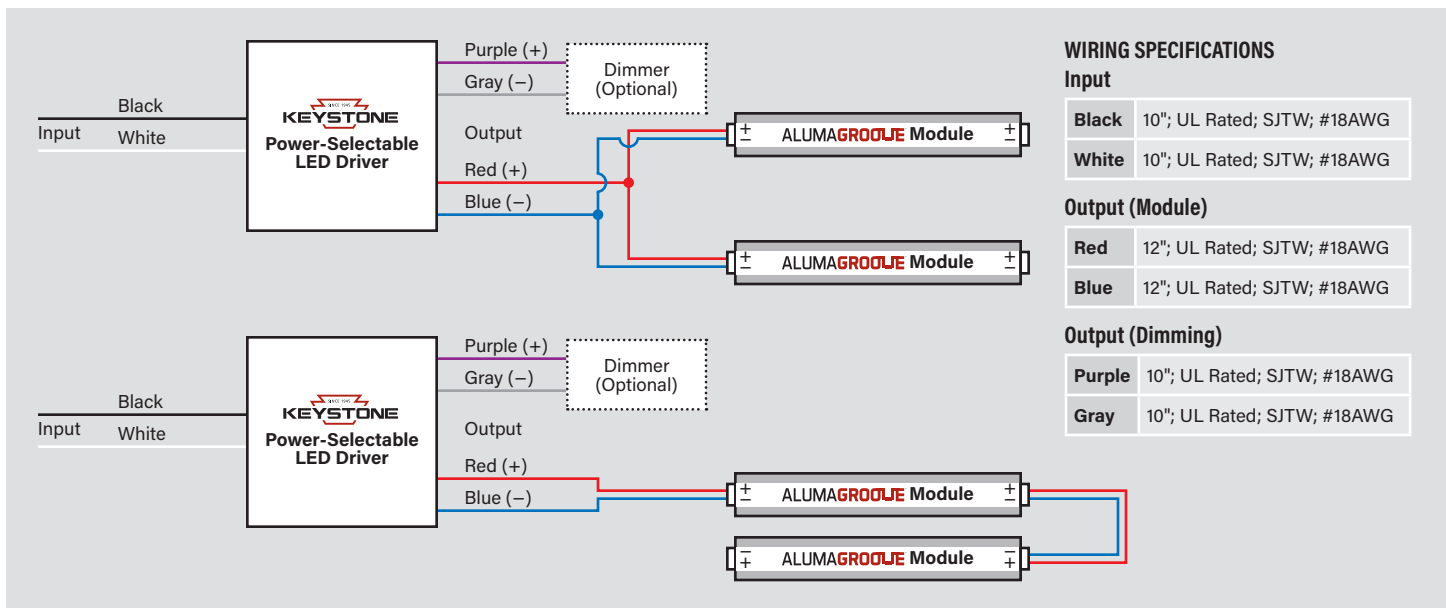
2' LINEAR KIT - 80 CRI - SWITCHABLE BETWEEN 3,000 LM, 4,000 LM, AND 5,000 LM - 0-10V DIMMING

KIT SPECIFICATIONS: **Driver:** KTLD-34-UV-PS1000-34-VDIM-LA1
Module: KTAG-22L-700-30-8XX-RJ
Lens: KTAG-22L-LENS

Color Temp	Input Voltage	CRI	No. of Modules	Total System Drive Current	Drive Current per Module	Total System Lumens	Total Module Power	Module Efficacy	Driver Efficiency	Total System Power	Total System Efficacy
Set at 3,000 lm											
3500K	120-277V	>80	2	570mA	285mA	2907 lm	15.1W	194 lm/W	86%	17.6W	165 lm/W
4000K	120-277V	>80	2	570mA	285mA	2936 lm	15.1W	196 lm/W	86%	17.6W	167 lm/W
5000K	120-277V	>80	2	570mA	285mA	2997 lm	15.1W	199 lm/W	86%	17.6W	170 lm/W
Set at 4,000 lm											
3500K	120-277V	>80	2	780mA	390mA	3868 lm	21.0W	184 lm/W	86%	24.4W	159 lm/W
4000K	120-277V	>80	2	780mA	390mA	3909 lm	21.0W	186 lm/W	86%	24.4W	160 lm/W
5000K	120-277V	>80	2	780mA	390mA	3989 lm	21.0W	190 lm/W	86%	24.4W	164 lm/W
Set at 5,000 lm*											
3500K	120-277V	>80	2	990mA	495mA	4964 lm	27.1W	184 lm/W	86%	31.5W	158 lm/W
4000K	120-277V	>80	2	990mA	495mA	5014 lm	27.1W	186 lm/W	86%	31.5W	159 lm/W
5000K	120-277V	>80	2	990mA	495mA	5116 lm	27.1W	190 lm/W	86%	31.5W	162 lm/W

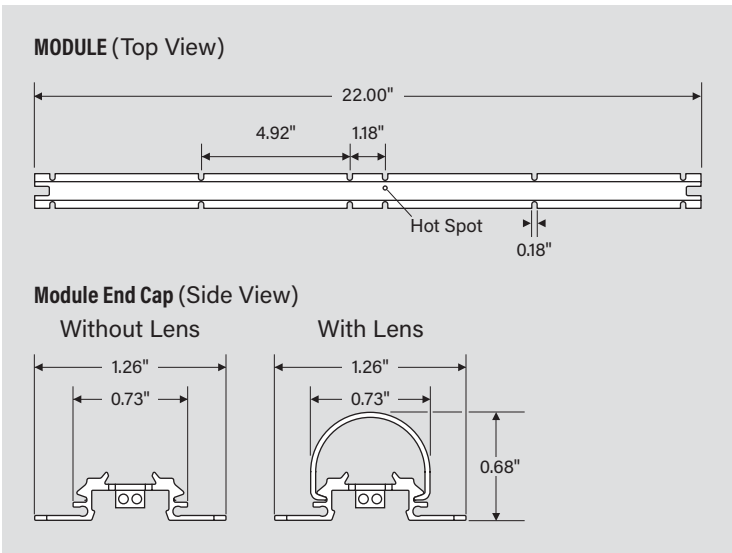
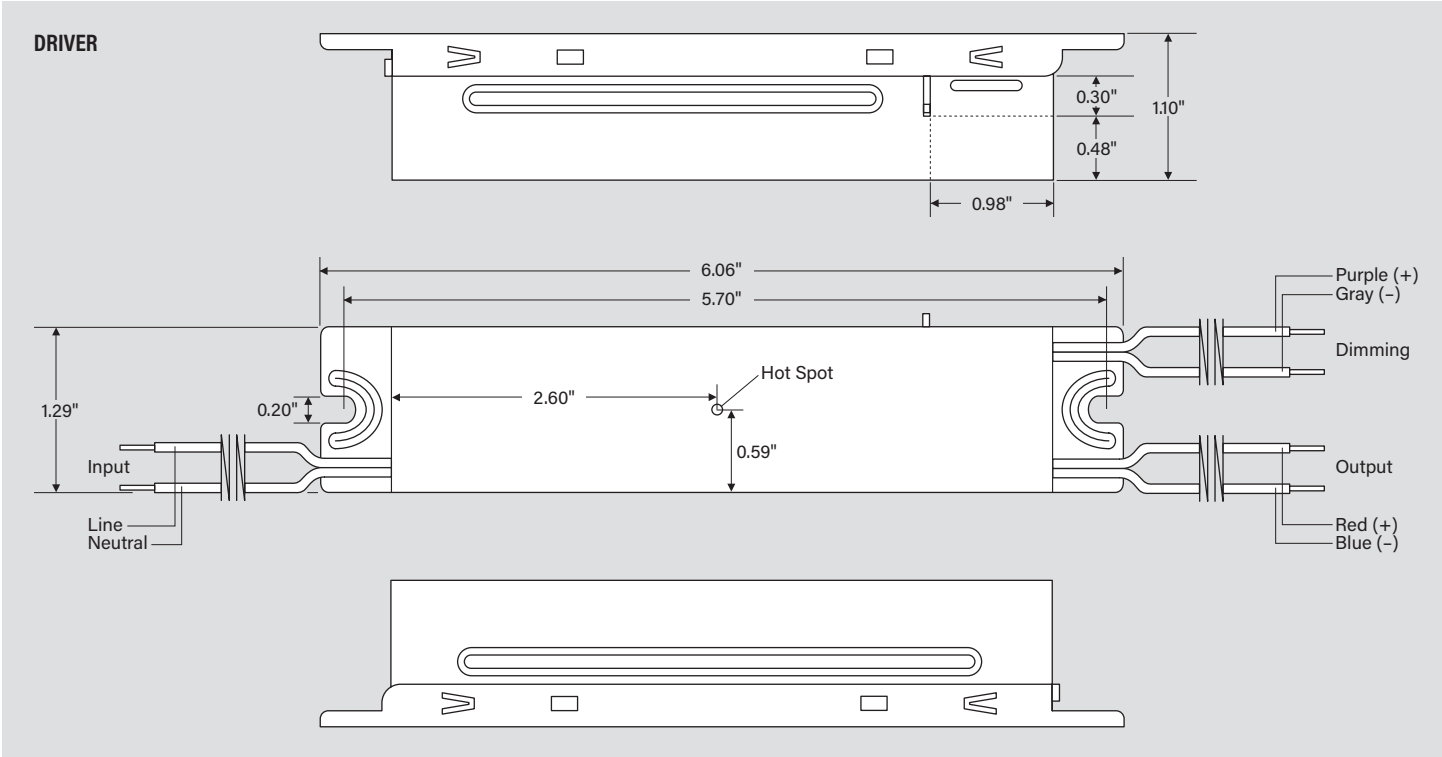
* Default setting

WIRING



KT-RKIT31PS-2AG22-8XX-VDIM
POWER-SELECTABLE LED RETROFIT KIT

PHYSICAL SPECIFICATIONS





KT-RKIT31PS-2AG22-8XX-VDIM

POWER-SELECTABLE LED RETROFIT KIT

ORDERING INFORMATION

ORDER CODE	PACK QTY.	UPC	EASY CODE	DLC PRODUCT ID
KT-RKIT31PS-2AG22-835-VDIM	20	843654128177	FON-37	PZ08OLP1
KT-RKIT31PS-2AG22-840-VDIM	20	843654128184	PWZ-45	PWGBH6U8
KT-RKIT31PS-2AG22-850-VDIM	20	843654128191	KOU-99	PD574P01

CATALOG NUMBER BREAKDOWN

KT-RKIT31PS-2AG22-8XX-VDIM

1
2
3
4
5
6
7
8
9

- 1** Keystone Technologies
- 2** Retrofit Kit
- 3** Wattage
- 4** Power Select
- 5** Number of Modules
- 6** 22" Alumagroove Modules
- 7** 80 CRI
- 8** Color Temperature
- 9** 0-10V Dimming