

TRK-LED-14B-35PS-8CSA

DOORFRAME RETROFIT KIT



1x4 LED DoorFrame Retrofit Kit,
120-277V, Frosted Lens, 0-10V Dimming

PRODUCT FEATURES

- CCT Selection: Adjust CCT between 3500K, 4000K, or 5000K
- Wattage Selection: Adjust power between 35W, 30W, and 24W
- Used to Upgrade existing 1X4 fluorescent recessed troffer, without modifying existing fixture mounting.
- Powered by 0 -10V dimming LED drivers with 12V Aux
- Ambient operating temperature: -20°C/-4°F to 50°C/122°F
- Available with optional integral occupancy sensor accessory
- Low optical flicker
- THD: < 20%
- Power factor > 0.95



10 YEAR
LIMITED WARRANTY

POWER AND COLOR TEMPERATURE SELECTABILITY

- Adjustable CCT (3500K/4000K/5000K)
- Adjustable Wattage (35W/30W/24W)

PRODUCT SPECIFICATIONS

Catalog Number	Input Voltage	Wattage	CCT	Lumen Output	Efficacy	CRI	Power Factor	Lifetime
TRK-LED-14B-35PS-8CSA	120-277V	35W	3500K	4,375	125 lm/W	> 80	> 0.90	50,000 hrs
			4000K	4,410	126 lm/W			
			5000K	4,445	127 lm/W			
		30W	3500K	3,840	128 lm/W			
			4000K	3,870	129 lm/W			
			5000K	3,900	130 lm/W			
		24W	3500K	3,144	131 lm/W			
			4000K	3,168	132 lm/W			
			5000K	3,192	133 lm/W			

ONE CATALOG NUMBER WITH 9 DIFFERENT OPTIONS

* Preset to highest lumen output (35W / 5000K)

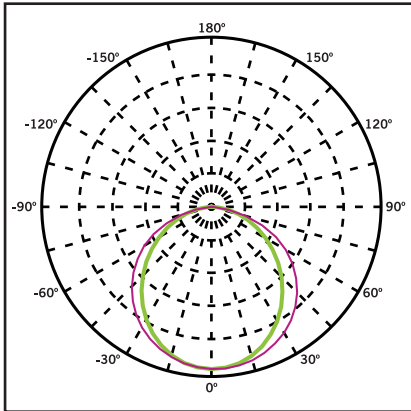
* Color Uniformity: CCT (Correlated Color Temperature) range as per guidelines outlined in ANSI C78.377-2017

TRK-LED-14B-35PS-8CSA

DOORFRAME RETROFIT KIT

PHOTOMETRIC SPECIFICATIONS

POLAR CANDELA DISTRIBUTION



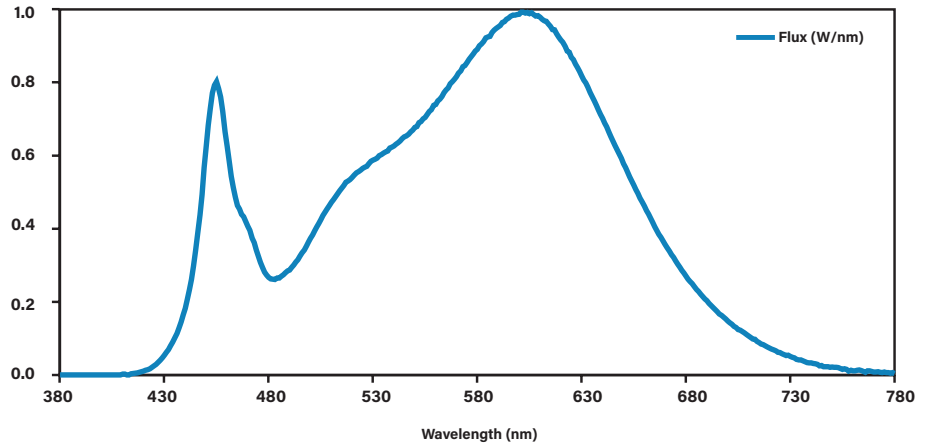
Maximum Candela = 1525.2
 Located at Horizontal Angle = 0,
 Vertical Angle 0

1. **Violet** Vertical Plane through Horizontal Angles (90-270)
2. **Green** Vertical Plane through Horizontal Angles (0-180)

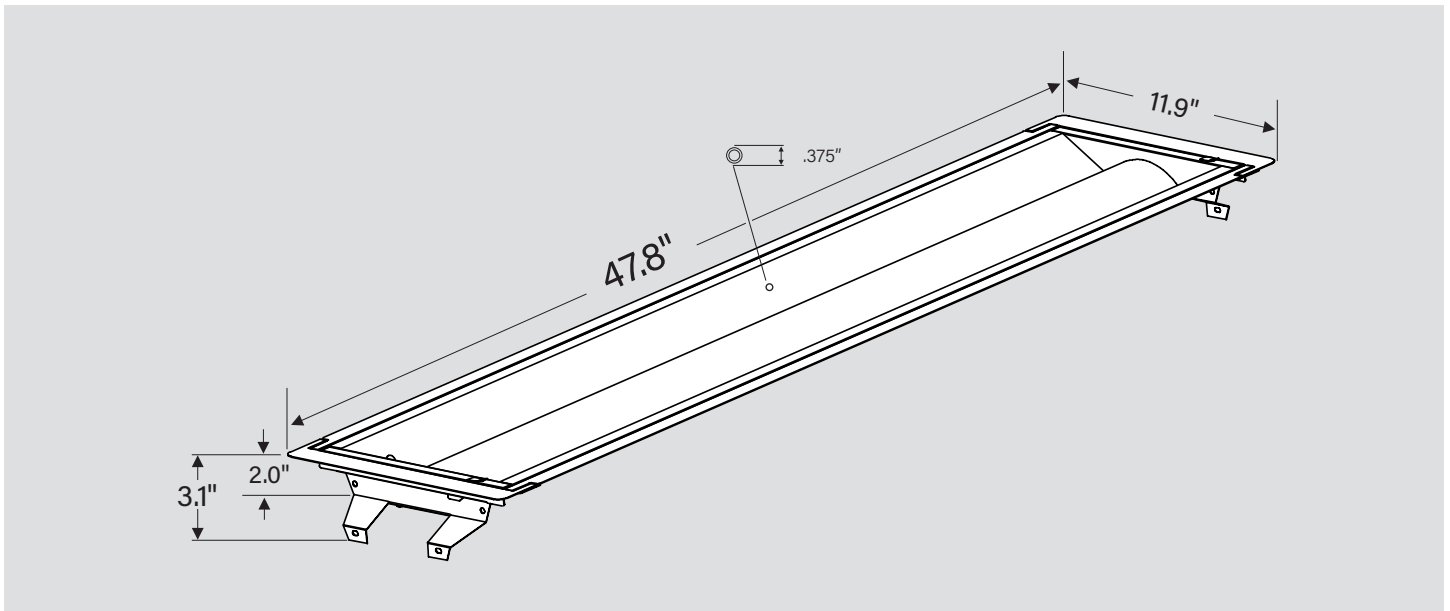
Beam Angle: 220°

Visible Light Area: 325°

RELATIVE SPECTRAL POWER DISTRIBUTION



PHYSICAL SPECIFICATIONS



ORDERING INFORMATION

Catalog Number	Pack Quantity	UPC	Easy Code
TRK-LED-14B-35PS-8CSA	TBD	843654136875	HAE-26