

KTAG-11L-350-28-8XX-RJ /G2 HIGH EFFICACY LINEAR LED MODULE

DESCRIPTION

High efficacy linear LED modules pre-mounted into aluminum extrusion via a patented manufacturing method, 11" Long.



RoHS
 Compliant

5 YEAR
 WARRANTY

| |
|--|
| MODULE TYPE: Linear |
| MAX MODULE POWER: 9.8W |
| MAX DRIVE CURRENT: 350mA |
| COLOR RENDERING INDEX (CRI): >80 |
| RECOMMENDED WIRING: Parallel Connection |
| WARRANTY: 5 Years |

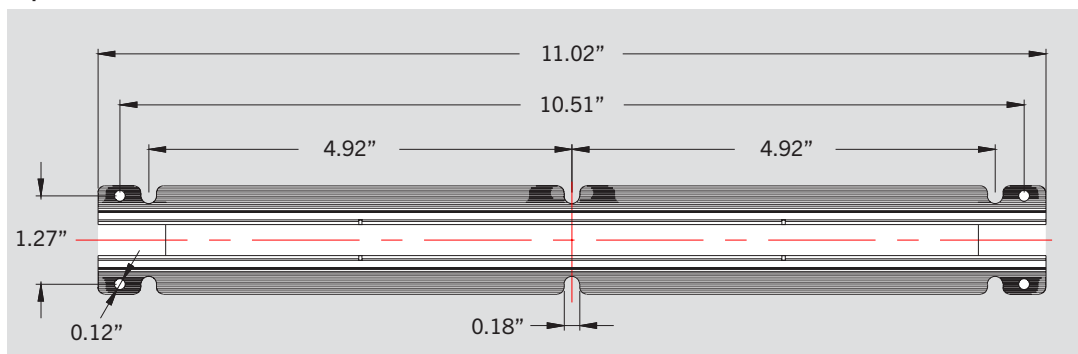


PRODUCT FEATURES

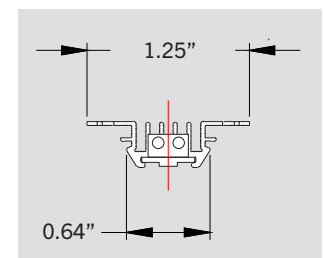
- For use in class 2 lighting systems only
- High lumen density design, approx 1650 lm/ft
- Optional lens accessory
- Completely heat sunked, no additional heat sinking needed to maintain LED lifetime
- Low profile, push-in connectors
- Made with UL recognized components
- 3-Step color binning
- 2835 LED chip package
- Reported life expectancy: L70 >54,000 hours at 85C° | L90 48,000 hours at 85C°
- Calculated life expectancy: L70 >160,000 hours at 85C° | L90 48,000 hours at 85C°
- Linkable in parallel with different length AlumaGroove modules

PHYSICAL SPECIFICATIONS

Top View



Side View





ALUMAGROOVE®

KTAG-11L-350-28-8XX-RJ /G2 HIGH EFFICACY LINEAR LED MODULE

PERFORMANCE SPECIFICATIONS

| Drive Current mA | Volts | Watts | 3000K | | | | 3500K | | | | 4000K | | | | 5000K | | | |
|------------------|-------|-------|--------------|---------------|-----------|---------------|--------------|---------------|-----------|---------------|--------------|---------------|-----------|---------------|--------------|---------------|-----------|---------------|
| | | | WITHOUT LENS | | WITH LENS | | WITHOUT LENS | | WITH LENS | | WITHOUT LENS | | WITH LENS | | WITHOUT LENS | | WITH LENS | |
| | | | Flux | Efficacy lm/W | Flux | Efficacy lm/W | Flux | Efficacy lm/W | Flux | Efficacy lm/W | Flux | Efficacy lm/W | Flux | Efficacy lm/W | Flux | Efficacy lm/W | Flux | Efficacy lm/W |
| 350 | 28 | 9.80 | 1595 | 159 | 1385 | 134 | 1667 | 166 | 1437 | 140 | 1696 | 171 | 1455 | 143 | 1697 | 169 | 1465 | 143 |
| 330 | 28 | 9.24 | 1516 | 161 | 1304 | 135 | 1573 | 168 | 1352 | 141 | 1602 | 173 | 1376 | 145 | 1610 | 171 | 1384 | 144 |
| 310 | 28 | 8.68 | 1425 | 162 | 1230 | 137 | 1483 | 170 | 1276 | 142 | 1511 | 174 | 1299 | 146 | 1512 | 172 | 1306 | 145 |
| 290 | 28 | 8.12 | 1339 | 164 | 1155 | 138 | 1392 | 171 | 1199 | 144 | 1420 | 176 | 1222 | 148 | 1418 | 174 | 1227 | 147 |
| 270 | 28 | 7.56 | 1251 | 166 | 1082 | 140 | 1304 | 173 | 1123 | 146 | 1329 | 178 | 1144 | 150 | 1326 | 176 | 1148 | 149 |
| 250 | 28 | 7.00 | 1163 | 168 | 1007 | 142 | 1214 | 175 | 1045 | 147 | 1237 | 180 | 1066 | 151 | 1233 | 178 | 1068 | 150 |
| 230 | 28 | 6.44 | 1076 | 170 | 932 | 143 | 1123 | 177 | 967 | 149 | 1144 | 182 | 984 | 153 | 1141 | 179 | 988 | 152 |
| 210 | 28 | 5.88 | 988 | 172 | 856 | 145 | 1031 | 179 | 889 | 151 | 1051 | 184 | 906 | 155 | 1047 | 182 | 907 | 154 |
| 190 | 28 | 5.32 | 899 | 174 | 777 | 147 | 939 | 181 | 807 | 152 | 957 | 186 | 823 | 157 | 953 | 184 | 824 | 155 |
| 170 | 28 | 4.76 | 808 | 176 | 700 | 149 | 845 | 184 | 726 | 154 | 862 | 189 | 741 | 159 | 856 | 186 | 741 | 157 |
| 150 | 28 | 4.20 | 718 | 178 | 621 | 151 | 750 | 186 | 645 | 156 | 765 | 191 | 658 | 161 | 761 | 188 | 657 | 159 |
| 130 | 28 | 3.64 | 626 | 181 | 541 | 153 | 653 | 188 | 562 | 158 | 667 | 194 | 574 | 163 | 662 | 191 | 573 | 161 |
| 110 | 28 | 3.08 | 532 | 183 | 461 | 155 | 556 | 191 | 479 | 161 | 568 | 196 | 489 | 166 | 563 | 193 | 487 | 164 |
| 90 | 28 | 2.52 | 438 | 186 | 379 | 157 | 457 | 193 | 394 | 163 | 468 | 199 | 403 | 168 | 463 | 195 | 401 | 166 |
| 70 | 28 | 1.96 | 342 | 188 | 297 | 160 | 358 | 196 | 308 | 165 | 366 | 202 | 316 | 171 | 362 | 198 | 314 | 168 |
| 50 | 28 | 1.40 | 246 | 191 | 212 | 162 | 257 | 199 | 221 | 168 | 263 | 205 | 227 | 173 | 260 | 199 | 225 | 171 |

* Nominal Values Shown. Actual Values May Vary Based on Tolerances and Ambient Temperature.

| Circuit Layout | |
|------------------------|--------------------------|
| No. of LED's in Series | No. of LED's in Parallel |
| 10 | 4 |

ACCESSORIES

| Lens | KTAG-11L-LENS* |
|------|----------------|
| | |

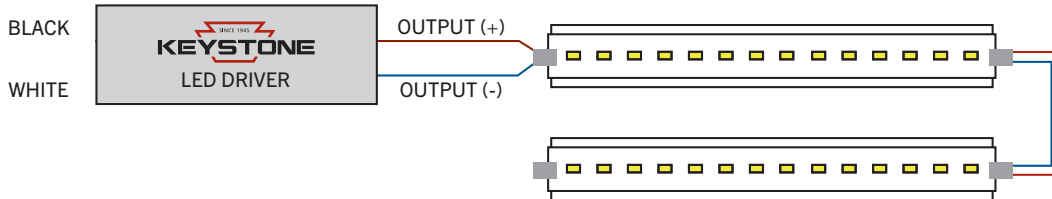
*Polycarbonate, Flammability Rating V-2



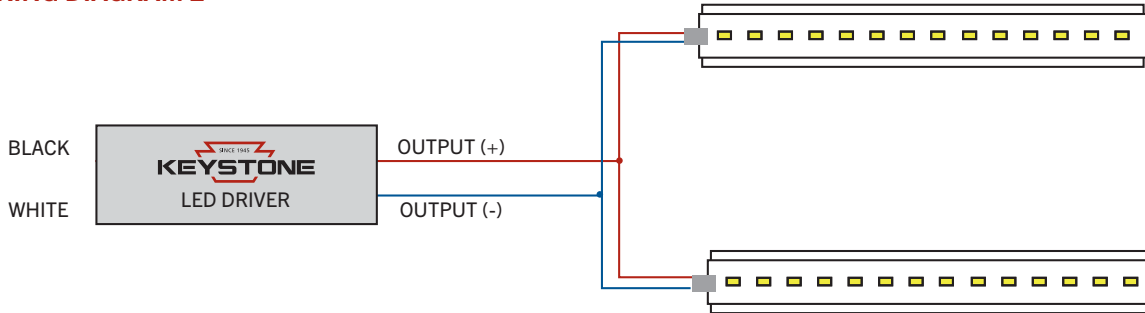
KTAG-11L-350-28-8XX-RJ /G2

HIGH EFFICACY LINEAR LED MODULE

WIRING DIAGRAM 1*



WIRING DIAGRAM 2*



* Not to exceed a total of 8' total length for end-to-end parallel connections and not to exceed 2A input into any one connector.

ORDERING INFORMATION

| Catalog Number | UPC | Easy Code |
|----------------------------|--------------|-----------|
| KTAG-11L-350-28-830-RJ /G2 | 843654140223 | AQT-64 |
| KTAG-11L-350-28-835-RJ /G2 | 843654140230 | WHN-84 |
| KTAG-11L-350-28-840-RJ /G2 | 843654140247 | VRT-33 |
| KTAG-11L-350-28-850-RJ /G2 | 843654140254 | NFA-05 |

CATALOG NUMBER BREAKDOWN

KTAG-11L-350-28-8XX-RJ /G2

1
2
3
4
5
6
7
8

- | | |
|---|---|
| <p>1 Keystone Technologies AlumaGroove</p> <p>2 Nominal Length</p> <p>3 Max. Drive Current</p> <p>4 Nominal Forward Voltage</p> | <p>5 80 CRI</p> <p>6 Color Temperature</p> <p>7 Rear-Junction Connection</p> <p>8 Second Generation</p> |
|---|---|