



KT-LED15T8-48GC-8XX-D / G3

T8 LED LAMP

DESCRIPTION

15W T8 LED | 3000-6500K | >83 CRI | High Efficiency



10 YEAR LIMITED WARRANTY

LAMP TYPE: Linear
BULB TYPE: T8 LED
BASE TYPE: G13 (Medium Bi-Pin)
WATTAGE: 15W
COLOR TEMPERATURE: 3000-6500K
COLOR RENDERING INDEX (CRI): >83
WARRANTY: 10 Years



PRODUCT FEATURES

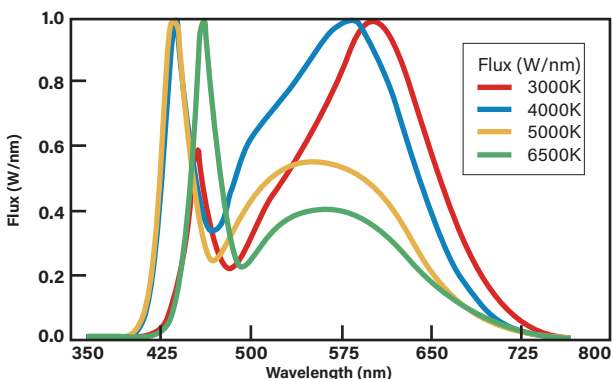
- Replacement for Conventional Fluorescent Lamp
- 50,000+ Hour Lifetime
- Approx. 40% More Energy Efficient than Standard F32T8 Lamps
- Environmentally Friendly: No Mercury Used
- Instant Startup
- Frosted Lens Eliminates Pixelation
- UL Classified; Listed on DLC Qualified Product List
- Operating Temperature: -20°C/-4°F to 45°C/113°F
- Integral Driver (Isolated), Eliminates the Need for External Driver or Ballast
- 110+ Lumens per Watt
- Improved Lamp Durability with Shatterproof Coated Glass, designed to pass drop tests of 6' on hard surface
- ETL Sanitation Listed NSF/ANSI Standard 2 - Food Equipment, Splash Zone (Not for Direct Food Zone without additional fixture considerations)
- UL Flicker Free Design from date code 1903F
- Lamp is dimmable when used with an appropriate dimming accessory (purchased separately). Contact Keystone for more details to find out what is best for the intended application.

ELECTRICAL AND PERFORMANCE SPECIFICATIONS

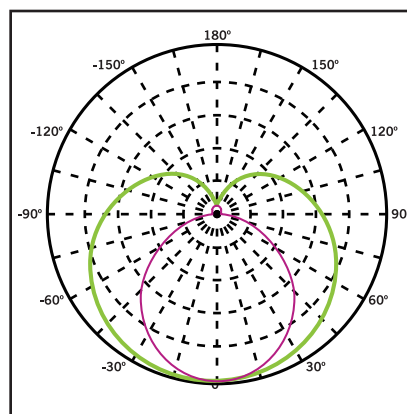
Catalog Number	Input Voltage	Power Consumption	Color Temperature (CCT)	Luminous Flux	Efficacy	Beam Angle	Visible Light Area	Power Factor	Input Current	Rated Life
KT-LED15T8-48GC-830-D / G3	120-277 Vac	15W	3000K	1750 lm	114 lm/W	240°	325°	>0.9	0.16A @ 120V 0.07A @ 277V	L70 (Hours) 50,000
KT-LED15T8-48GC-835-D / G3			3500K	1800 lm	117 lm/W					
KT-LED15T8-48GC-840-D / G3			4000K	1850 lm	121 lm/W					
KT-LED15T8-48GC-850-D / G3			5000K	1930 lm	127 lm/W					
KT-LED15T8-48GC-865-D / G3			6500K	1900lm	127 lm/W					

PHOTOMETRIC SPECIFICATIONS

SPECTRAL DISTRIBUTION



POLAR CANDELA DISTRIBUTION



- Maximum Candela = 1248.55**
Located at Horizontal Angle = 0,
Vertical Angle 0
- Violet** Vertical Plane through Horizontal Angles (90-270)
 - Green** Vertical Plane through Horizontal Angles (0-180)



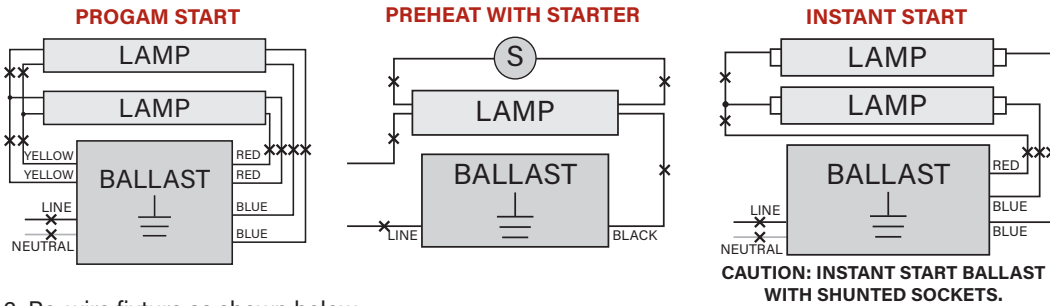
KT-LED15T8-48GC-8XX-D / G3

T8 LED LAMP

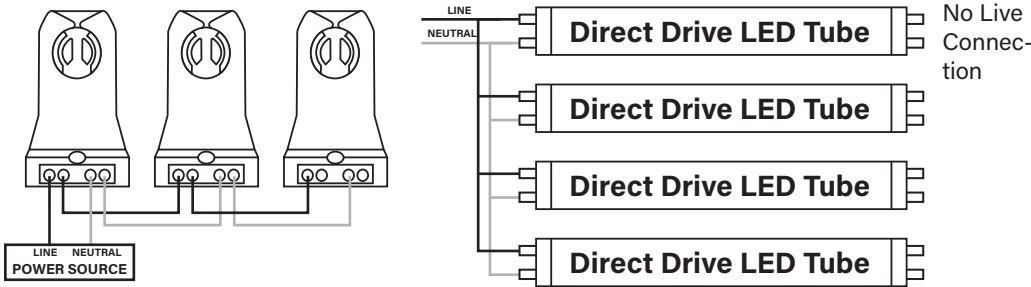
WIRING DIAGRAMS

1. Cut all existing connections to ballast as shown below and remove ballast.

Typical Ballast Configurations:



2. Re-wire fixture as shown below.



Typical Non-Shunted Lampholder

Connect wires directly to these terminals

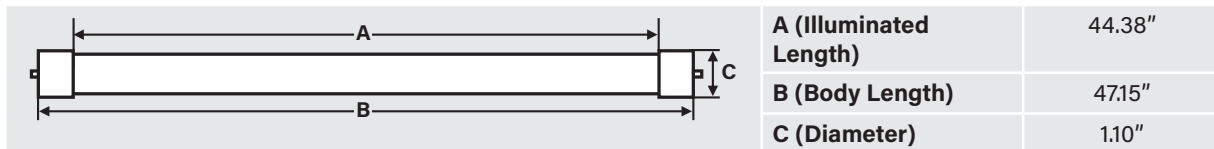
CAUTION: Use only non-shunted lampholders.

Do not install product in a fixture with shunted lampholders (found in all fixtures using instant start ballasts). If the current lampholders are shunted, remove them and replace them with non-shunted lampholders. Make new connections directly to terminals as indicated above.

Keystone can provide any style replacement lampholders. Call us at 800-464-2680.

PHYSICAL SPECIFICATIONS

LAMP DIMENSIONS



NOMINAL LENGTH: 48" BASE TYPE: G13 (Medium Bi-Pin)

ORDERING INFORMATION

ORDER CODE	PACK QTY.	UPC	EASY CODE
KT-LED15T8-48GC-830-D /G3-CP	25	89094901330	DGE-06
KT-LED15T8-48GC-835-D /G3-CP	25	89094901331	SVN-43
KT-LED15T8-48GC-840-D /G3-CP	25	89094901332	WRC-98
KT-LED15T8-48GC-850-D /G3-CP	25	89094901333	ACU-77
KT-LED15T8-48GC-865-D /G3-CP	25	89094901334	SWD-29

CATALOG NUMBER BREAKDOWN

KT-LED15T8-48GC-8XX-D /G3-CP

1	2	3	4	5	6	7	8	9	10	11
1 Keystone Technologies	2 LED Lamp	3 Max Output Wattage	4 Lamp Type	5 Nominal Length (inches)	6 Shatter-Proof Coated Glass	7 80 CRI	8 Color Temp.	9 Direct Drive Series	10 3rd Generation	11 Packaging Style