

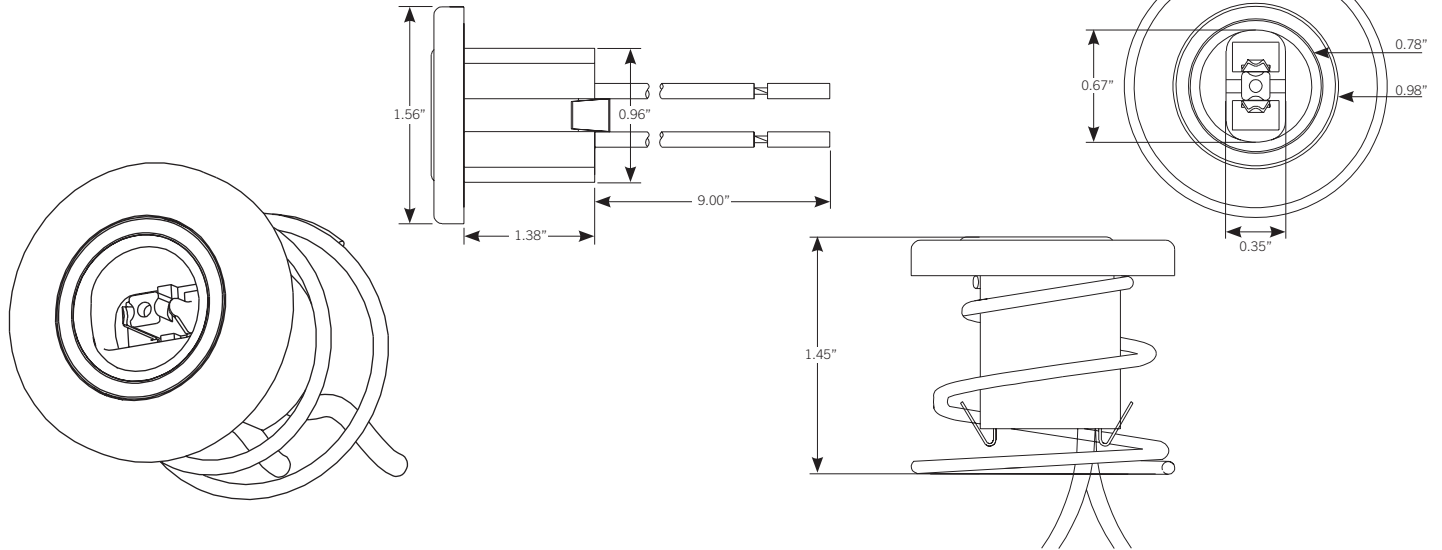


RECESSED DOUBLE CONTACT SOCKET



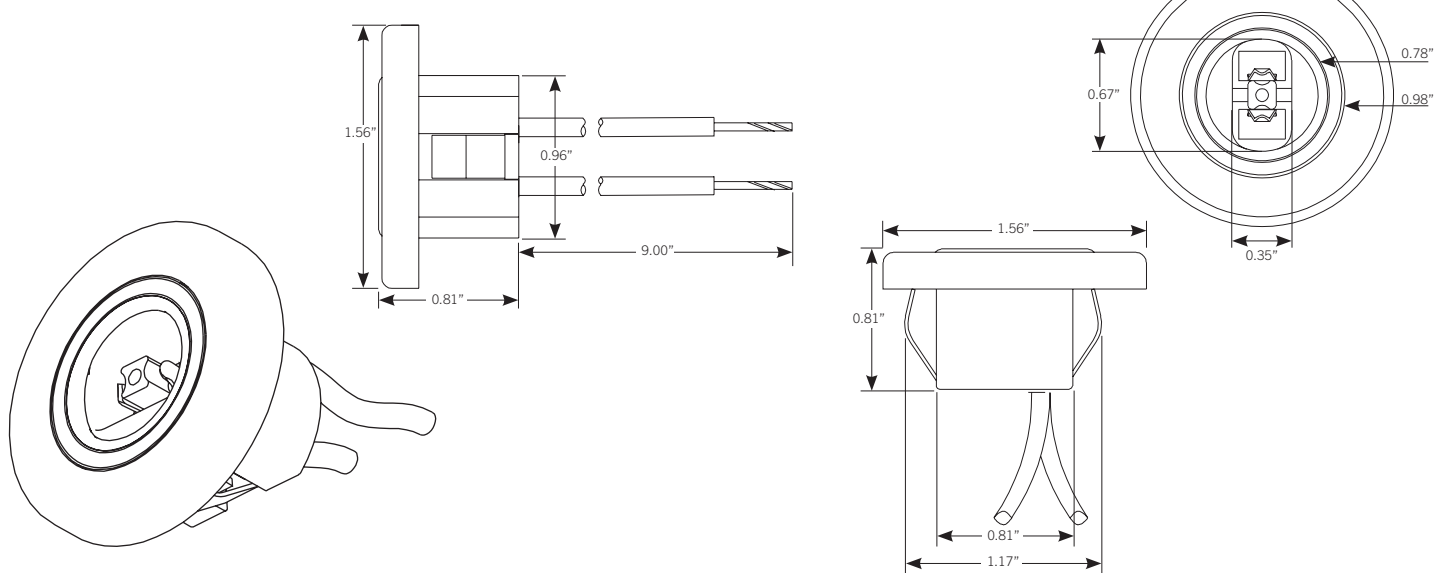
KT-SOCKET-RDC-SPR-SIGN-1

Recessed Double Contact Socket with Spring End | For HO Lamp Sign Applications



KT-SOCKET-RDC-SE-SIGN-1

Recessed Double Contact Socket with Stationary End | For HO Lamp Sign Applications





RECESSED DOUBLE CONTACT SOCKET

ORDERING INFORMATION

ORDER CODE	PACK QTY.	EASY CODE	UPC
KT-SOCKET-RDC-SPR-SIGN-1	1	VWC-84	843654141763
KT-SOCKET-RDC-SE-SIGN-1	1	TWZ-03	843654141770

CATALOG NUMBER BREAKDOWN

KT-SOCKET-RDC-SPR-SIGN-1

1 2 3 4 5 6

- 1 Keystone Technologies
- 2 Socket
- 3 Recessed Double Contact
- 4 Spring End
- 5 Lamp Sign Applications
- 6 Construction Type Designation

CATALOG NUMBER BREAKDOWN

KT-SOCKET-RDC-SE-SIGN-1

1 2 3 4 5 6

- 1 Keystone Technologies
- 2 Socket
- 3 Recessed Double Contact
- 4 Stationary End
- 5 Lamp Sign Applications
- 6 Construction Type Designation