



DIRECT DRIVE LED
LINE VOLTAGE T8 TUBES

KT-LED7T8-24GC-8XX-D-VDIM

T8 LED LAMP

DESCRIPTION

7W T8 LED | 3500/4000/5000K | > 83 CRI | High-Efficiency |

Single-Ended Wiring

LAMP TYPE: Linear
BULB TYPE: T8 LED
BASE TYPE: G13 (Medium Bi-Pin)
WATTAGE: 7W
COLOR TEMPERATURE: 3500/4000/5000K
COLOR RENDERING INDEX (CRI): > 83
WARRANTY: 10 Years



PRODUCT FEATURES

- Replacement for conventional F17T8 fluorescent lamp
- Single-ended wiring
- Instant startup
- Frosted lens eliminates pixelation
- Improved lamp durability with shatterproof coated glass
- Integral driver (isolated) eliminates the need for external driver or ballast
- Approximately 40% more energy efficient than standard F17T8 lamps
- ETL Sanitation Listed NSF/ANSI Standard 2—Food equipment
- 0–10V dimming to below 10%
- Environmentally friendly: No mercury used
- Operating temperature: $-20^{\circ}\text{C}/-4^{\circ}\text{F}$ to $45^{\circ}\text{C}/113^{\circ}\text{F}$
- 50,000+ hour lifetime
- UL Classified
- Lamp is dimmable when used with an appropriate dimming accessory (purchased separately). Contact Keystone for more details to find out what is best for the intended application.

ELECTRICAL SPECIFICATIONS

Catalog Number	Normal Length	Base Type	Wattage	Lumens	Efficacy	Construction	Length Spread	CRI	Color Temperature
KT-LED7T8-24GC-835-D-VDIM	2ft	G13	7W	950	136 lm/W	Glass Coated	220°	>80	3500K
KT-LED7T8-24GC-840-D-VDIM				1000	143 lm/W				4000K
KT-LED7T8-24GC-850-D-VDIM				1000	143 lm/W				5000K

PHOTOMETRIC SPECIFICATIONS

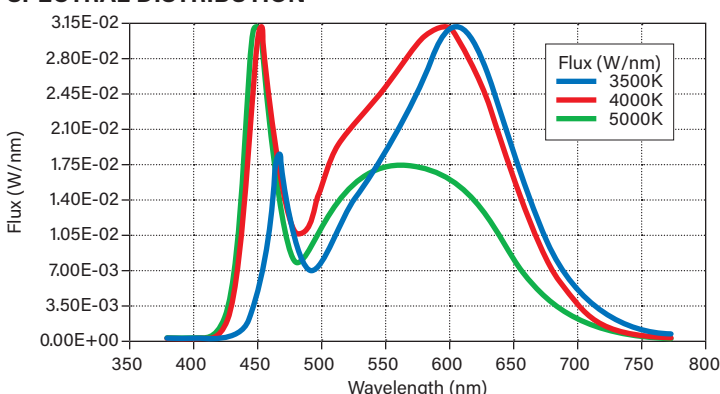
PHOTOMETRIC SPECIFICATIONS

Beam Angle 161.0° Visible Light Area 325°

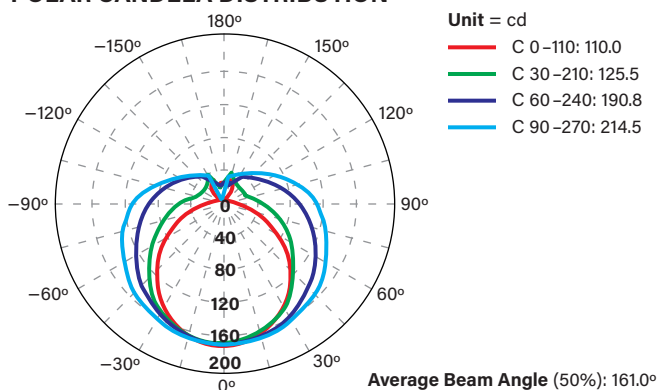
MECHANICAL SPECIFICATIONS

Length 24" Wiring Single-ended Rated Life (L70) 50,000 hours

SPECTRAL DISTRIBUTION



POLAR CANDELA DISTRIBUTION





KT-LED7T8-24GC-8XX-D-VDIM

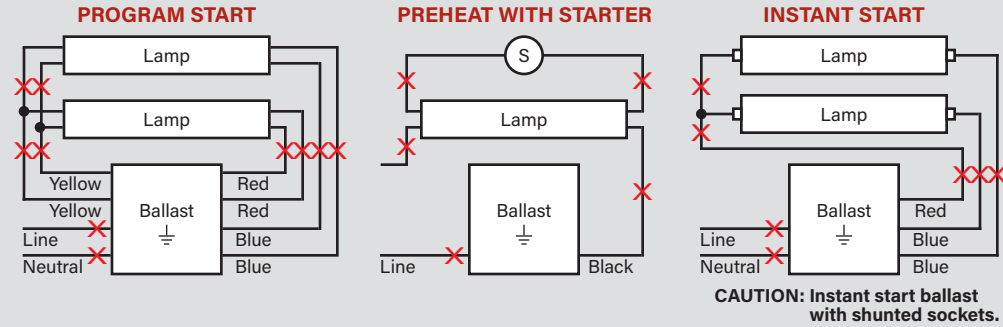
T8 LED LAMP

WIRING DIAGRAMS

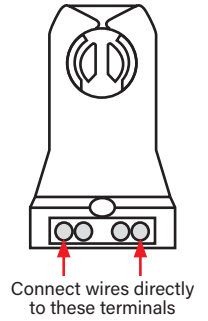
Cut all existing connections to ballast as shown below and remove ballast.

Note: Both single-ended wiring without dimming and single-ended wiring with dimming require non-shunted lampholders.

Typical Ballast Configurations

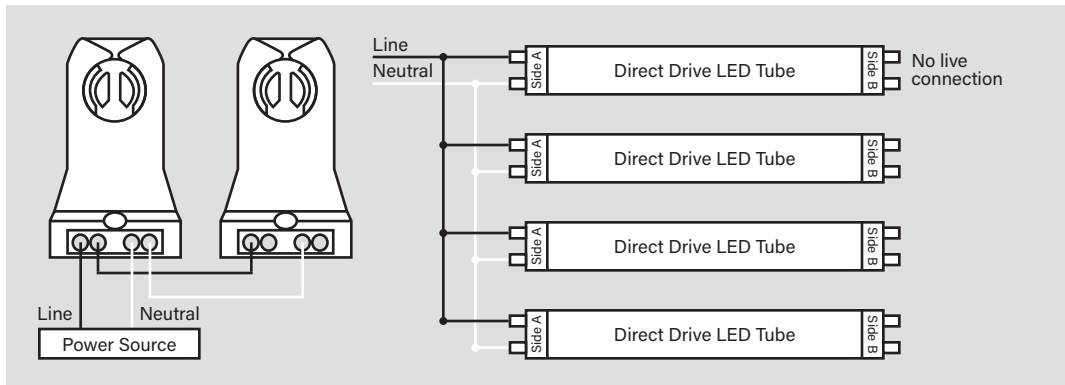


TYPICAL NON-SHUNTED LAMPHOLDER



CAUTION: USE ONLY NON-SHUNTED LAMPHOLDERS.

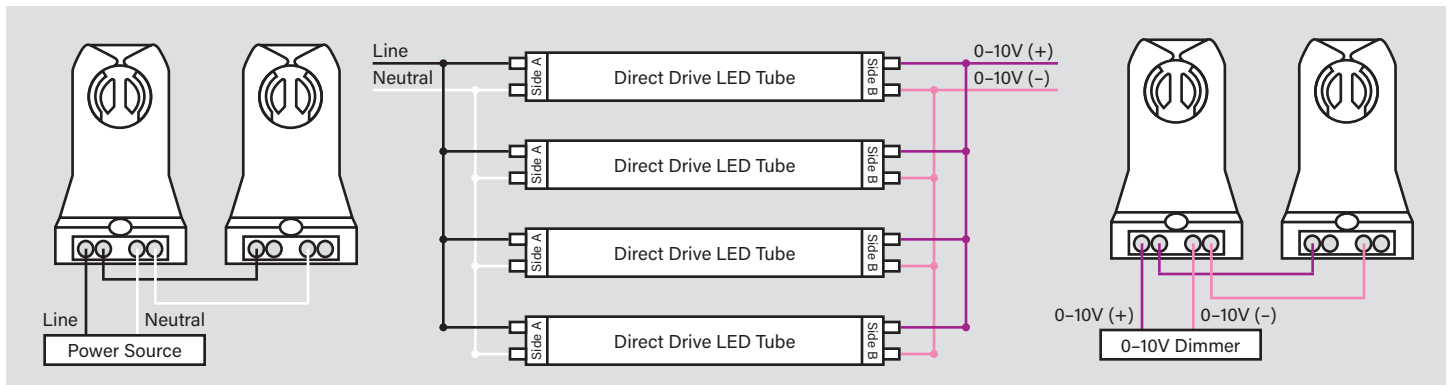
Single-ended wiring without dimming: Re-wire fixture as shown below.



Do not install product in a fixture with shunted lampholders (found in all fixtures using instant start ballasts). If the current lampholders are shunted, remove them and replace them with non-shunted lampholders. Make new connections directly to terminals as indicated in wiring diagrams.

Keystone can provide any style replacement lampholders. Call us at 800-464-2680.

Single-ended wiring with dimming: Re-wire fixture as shown below.



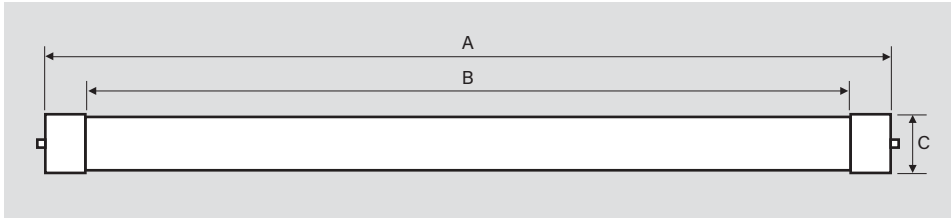
Note: There should not be any exposed wires at the end of installation.



KT-LED7T8-24GC-8XX-D-VDIM

T8 LED LAMP

PHYSICAL SPECIFICATIONS



LAMP DIMENSIONS

A (Body Length)	23.19"
B (Illuminated Length)	20.96"
C (Diameter)	1.10"

NOMINAL LENGTH: 24"

BASE TYPE: G13 (Medium Bi-Pin)

ORDERING INFORMATION

ORDER CODE	CARTON QUANTITY	UPC	EASY CODE	DLC PRODUCT ID
KT-LED7T8-24GC-835-D-VDIM	25	843654136400	ELC-91	PXGKAASJ
KT-LED7T8-24GC-840-D-VDIM	25	843654136417	NAT-91	PYDNDRA7
KT-LED7T8-24GC-850-D-VDIM	25	843654136424	PSX-77	PHX4OXLG

CATALOG NUMBER BREAKDOWN

KT-LED7T8-24GC-8XX-D-VDIM

1 2 3 4 5 6 7 8 9 10

- 1 Keystone Technologies
- 2 LED Lamp
- 3 Wattage
- 4 Lamp Type
- 5 Nominal Length (Inches)
- 6 Coated Glass
- 7 80 CRI
- 8 Color Temperature
- 9 Direct Drive Series
- 10 0-10V Dimming