



EXTERNAL DRIVE LED
TYPE C LED TUBES



KT-LED14T8-48G-840-E

T8 LED LAMP

DESCRIPTION

T8 LED | 14W | 120-277Vac Input | 4' Length | 4000K | Type C
>82 CRI | 0-10V Dimming | G13 (Medium Bi-Pin)



RoHS
Compliant



10 YEAR
LIMITED WARRANTY



PRODUCT FEATURES

- Keystone Power Select technology (see *Performance Specifications* for details)
- Compatible with Keystone external drive LED drivers
- Bi-Level Dimming:
 - Toggle Between Partial & Full Brightness using Wall Switch
- Replacement for conventional fluorescent lamps
- 70,000+ hour lifetime
- Type C application for custom installations and maximum efficiency
- Environmentally friendly: No mercury used
- Instant startup
- Frosted glass eliminates pixelation
- UL Classified
- Operating temperature: -20°C/-4°F to 45°C/113°F
- Humidity: 10-90%
- 0-10V Dimming
- Power Factor >0.9
- 12V Aux Output, 100mA Max. Current

PERFORMANCE SPECIFICATIONS

BARE LAMP

Lumens	Wattage	Efficacy	CRI
2,310	14W	165 lm/W	>82

SYSTEM - 100% POWER

Lamp Configuration	System Total Lumens	System Total Power	System Efficacy	System Per Lamp Lumens	System Per Lamp Power	Type C Driver
1-Lamp	15.6W	2,310	148 lm/W	2,310	15.6W	KTLD-2LT8-UV-PS15C-BL-VDIM
2-Lamp	31.2W	4,620	148 lm/W	2,310	15.6W	
3-Lamp	46.8W	6,930	148 lm/W	2,310	15.6W	
4-Lamp	62.4W	9,240	148 lm/W	2,310	15.6W	KTLD-4LT8-UV-PS15C-BL-VDIM

(Performance Specifications continued on next page)

KT-LED14T8-48G-840-E

T8 LED LAMP

PERFORMANCE SPECIFICATIONS (continued)

14W LAMP SYSTEM

System Wattage	1-Lamp			2-Lamp			3-Lamp			4-Lamp		
	300mA	240mA	180mA	300mA	240mA	180mA	300mA	240mA	180mA	300mA	240mA	180mA
100%	15.6W	12.5W	9.4W	31.2W	25W	18.7W	46.8W	37.4W	28.1W	62.4W	49.9W	37.4W
70%	10.9W	8.7W	6.6W	21.8W	17.5W	13.1W	32.8W	26.2W	19.7W	43.7W	34.9W	26.2W
50%	7.8W	6.2W	4.7W	15.6W	12.5W	9.4W	23.4W	18.7W	14W	31.2W	25W	18.7W
System Lumens	1-Lamp			2-Lamp			3-Lamp			4-Lamp		
	300mA	240mA	180mA	300mA	240mA	180mA	300mA	240mA	180mA	300mA	240mA	180mA
100%	2,310	1,770	1,310	4,620	3,715	2,785	6,930	5,600	4,240	9,240	7,525	5,705
70%	1,540	1,210	875	3,255	2,585	1,900	4,880	3,920	2,880	6,610	5,295	3,940
50%	1,065	825	585	2,310	1,815	1,315	3,470	2,740	2,000	4,695	3,735	2,740
System Efficacy	1-Lamp			2-Lamp			3-Lamp			4-Lamp		
	300mA	240mA	180mA	300mA	240mA	180mA	300mA	240mA	180mA	300mA	240mA	180mA
100%	148 lm/W	142 lm/W	140 lm/W	148 lm/W	149 lm/W	149 lm/W	148 lm/W	150 lm/W	151 lm/W	148 lm/W	151 lm/W	152 lm/W
70%	141 lm/W	139 lm/W	134 lm/W	149 lm/W	148 lm/W	145 lm/W	149 lm/W	149 lm/W	147 lm/W	151 lm/W	152 lm/W	150 lm/W
50%	137 lm/W	132 lm/W	125 lm/W	148 lm/W	146 lm/W	140 lm/W	148 lm/W	146 lm/W	142 lm/W	150 lm/W	150 lm/W	146 lm/W

* Keystone Power Select Technology (300/240/180mA)

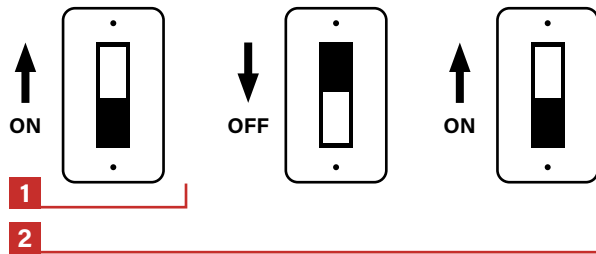
* Keystone Bi-Level Dimming (100/70/50%)

KEY FEATURES

BI-LEVEL DIMMING

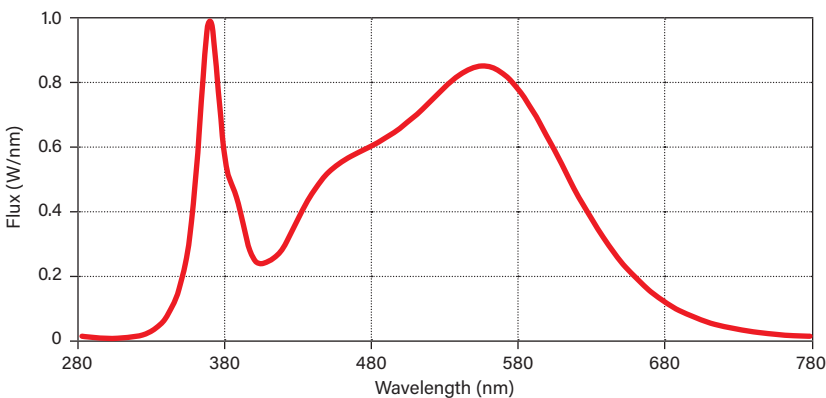
MODE 1 Partial Brightness (settable to 100/70/50%)
Flip wall switch to ON position

MODE 2 Full Brightness (100%)
Flip wall switch twice within 5 seconds



PHOTOMETRIC SPECIFICATIONS

SPECTRAL DISTRIBUTION



RATED LIFE

L70 (Hours) 70,000

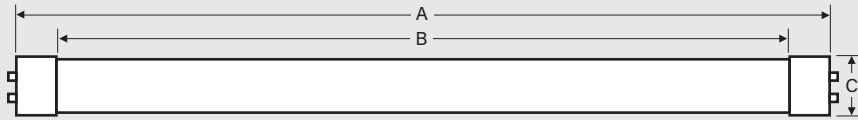
BEAM ANGLE: 160°

KT-LED14T8-48G-840-E

T8 LED LAMP

PHYSICAL SPECIFICATIONS

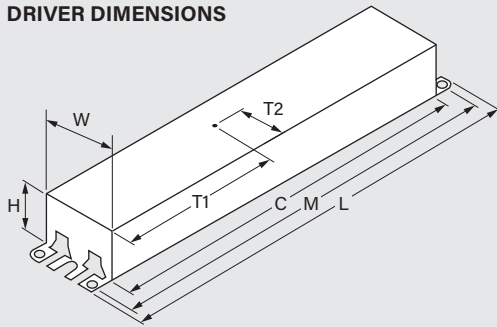
LAMP DIMENSIONS



KT-LED14T8-48G-840-E	
A (Body Length)	47.22"
B (Illuminated Length)	43.48"
C (Diameter)	1.10"

BASE TYPE: G13 (MEDIUM BI-PIN)

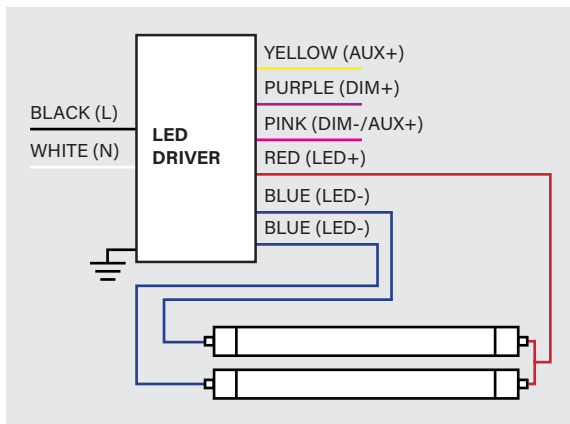
DRIVER DIMENSIONS



KTLD-XLT8-UV-PS15C-BL-VDIM	
Length (L)	11.02"
Mounting Length (M)	10.49"
Case Length (C)	9.58"
Width (W)	1.18"
Height (H)	0.87"
Tc Point (T1)	4.50"
Tc Point (T2)	0.59"

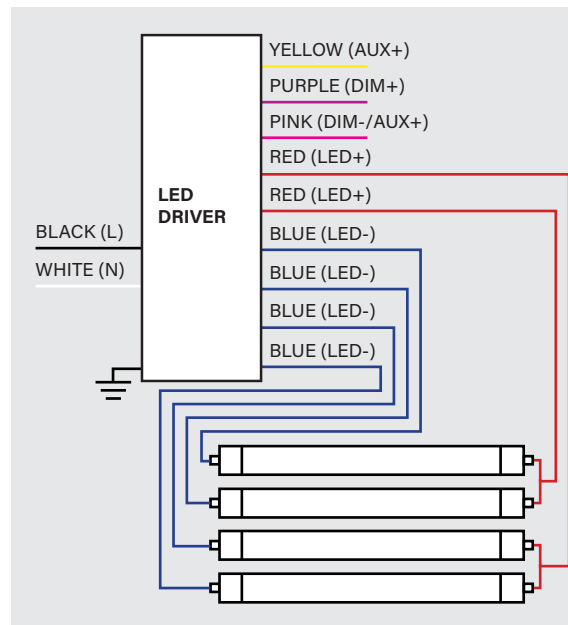
WIRING SPECIFICATIONS

KTLD-2LT8-UV-PS15C-BL-VDIM



*For 1 Lamp application, cap off 1 blue lead

KTLD-4LT8-UV-PS15C-BL-VDIM



*For 3 Lamp application, cap off 1 blue lead

STANDARD LEAD LENGTHS*

Input	Black	30.00"
	White	30.00"
Output	Red	30.00"
	Blue	30.00"
	Purple	30.00"
	Pink	30.00"
	Yellow	30.00"

Input Wires are 18 AWG
105°C / 600V

Output Wires are 20 AWG
105°C / 300V

*Consult Keystone for special lead length requirements.



KT-LED14T8-48G-840-E

T8 LED LAMP

ORDERING INFORMATION

Catalog Number	Carton QTY	Item Status	UPC	Easy Code
KT-LED14T8-48G-840-E	25	Quick Ship	843654177342	RZL-51

CATALOG NUMBER BREAKDOWN

KT-LED14T8-48G-840-E

1
2
3
4
5
6
7
8
9

- 1** Keystone Technologies
- 2** LED Lamp
- 3** Wattage
- 4** Lamp Type
- 5** Nominal Length (Inches)
- 6** Glass
- 7** 80 CRI
- 8** Color Temperature
- 9** External Drive Series

8 Color Temperature	
40	4000K