



# KTSL-HBFC1-UV-KO-PIR

## BLUETOOTH WIRELESS FIXTURE CONTROLLER AND SENSOR

### DESCRIPTION

Bluetooth mesh wireless fixture controller for SmartLoop system with integrated daylight and PIR motion sensors. For use on high bay fixtures.

### APPLICATION

Ideal for small- to medium-size systems, such as auditoriums and warehouses



### PRODUCT FEATURES

- Use of a relay, 0–10V dimming, and a 1/2" knock-out enable compatibility with many standard industry fixtures
- Commissioned via SmartLoop mobile app for iPhone and Android
- Controlled via SmartLoop mobile app, keypad, and sensors
- Integrated Daylight and PIR motion sensor
- Utilizes Bluetooth mesh technology for reliable and secure wireless communication
- Intelligent relay control software reduces wear to extend relay life
- Power outage recovery defaults to automatic on state
- Indicator LED communicates device status

### ELECTRICAL SPECIFICATIONS

Input Power	120–277VAC, 50-60Hz
Standby Power	<1W
Max Load Current	10.0A @120V, 4.3A @ 277V
RF Transmit Power	8dBm
Sensor Wires	Class 2
Max Motor Load	1/6hp
Turn-on Delay Time	< 0.5s
Relay Turn-off Time	2s
Max 0–10V Sinking Current	50mA
Wireless Frequency	2.4GHz
Wireless Range (Open Air)	100ft
Wireless Protocol	Bluetooth 4.2
Sensor Detection Height	40' max
Sensor Detection Angle	120°
Daylight Harvesting Range	30-2500 lux

# KTSL-HBFC1-UV-KO-PIR

## BLUETOOTH WIRELESS FIXTURE CONTROLLER AND SENSOR

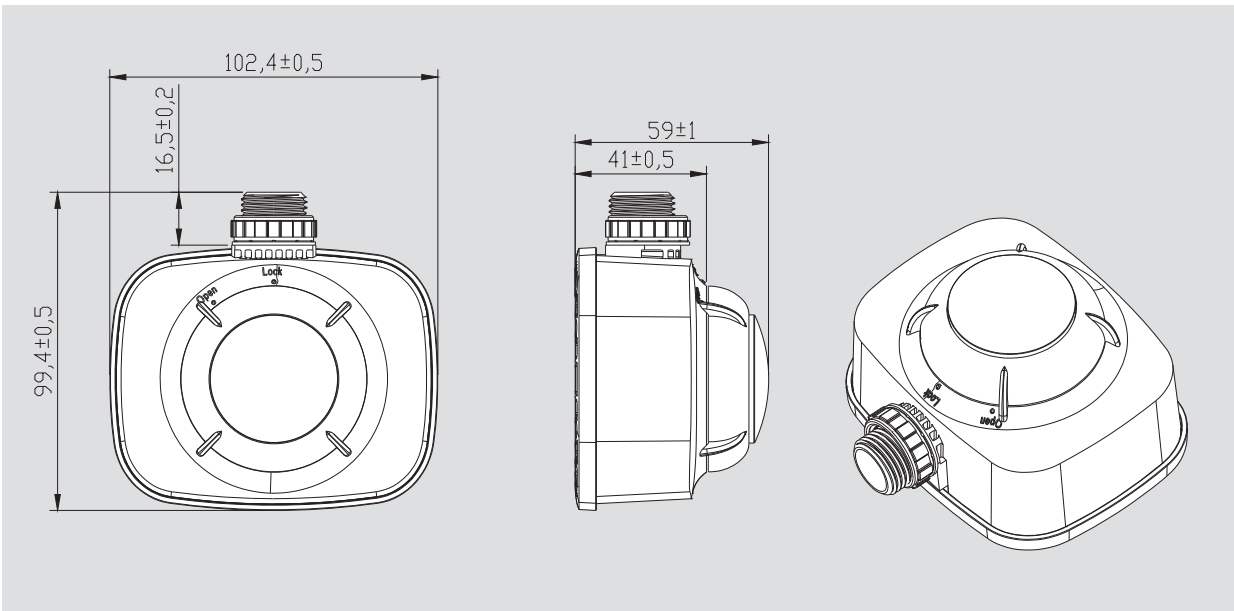
### ENVIRONMENTAL SPECIFICATIONS

Operating Temperature	-40°C/-40°F to 70°C/158°F
Storage Temperature	-40°C/-40°F to 85°C/185°F
Humidity	5-90%
Lifetime Rating	50,000 hrs
Moisture and Dust Rating	IP40

### SAFETY AND EMC COMPLIANCE

UL/cUL	UL8750
FCC	Part 15.247

### PHYSICAL SPECIFICATIONS

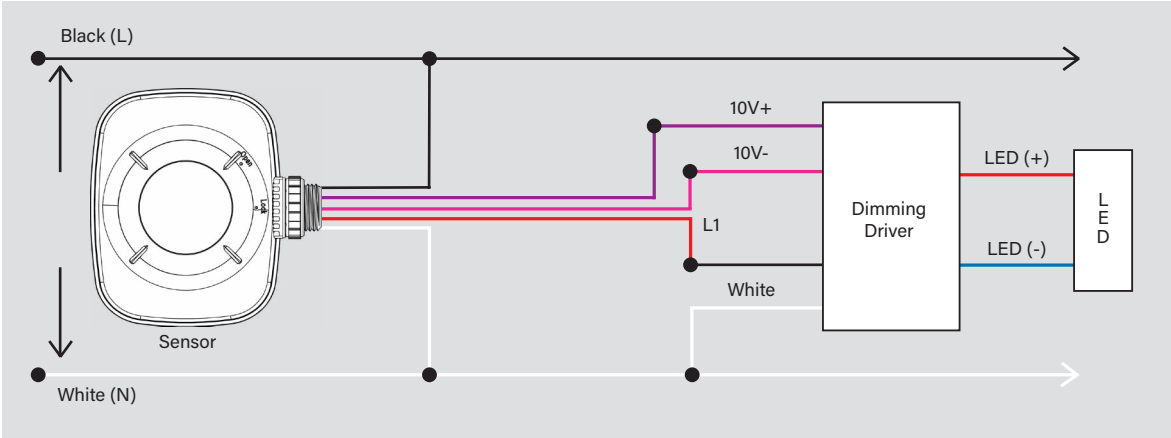


Mounting	1/2" knockout
Length	4.03"
Width	3.91"
Height	2.08"
Weight	6.0 oz.
Case Material	Plastic

# KTSL-HBFC1-UV-KO-PIR

## BLUETOOTH WIRELESS FIXTURE CONTROLLER AND SENSOR

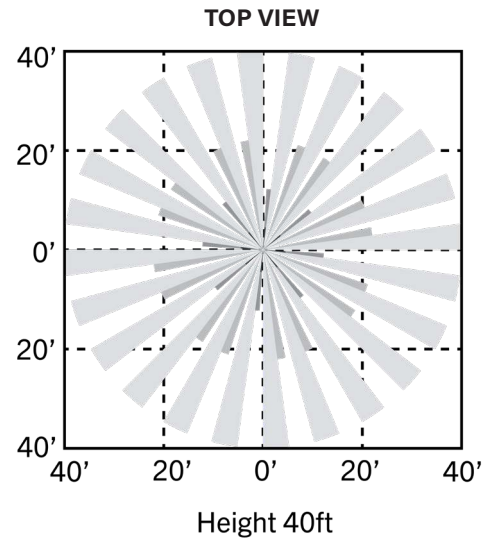
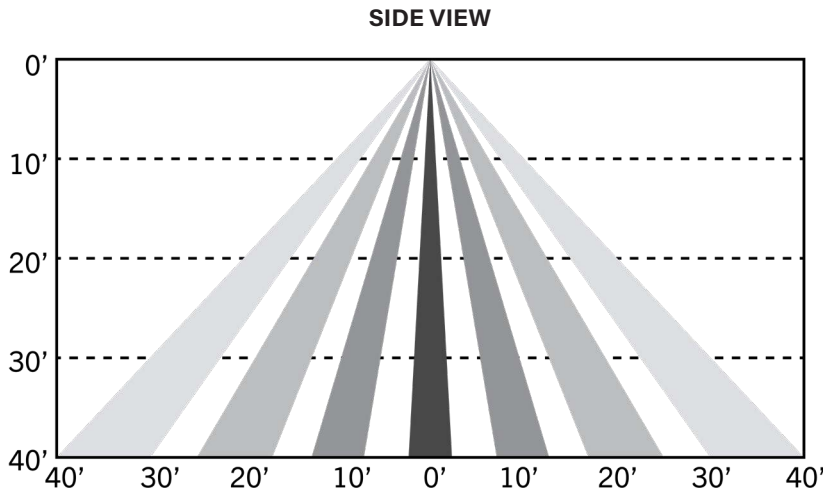
**WIRING DIAGRAM**



**WIRE SPECIFICATIONS**

Name	Function	Color	Gauge	Type	Length	Strip Length
L	Input Hot	Black	18AWG	Solid	12.59"	0.39"
N	Neutral	White				
L1	Switched Hot Out	Red				
10V+	Dimming Level	Purple				
10V-	Low Voltage Common	Pink				

**LENS COVERAGE**





# KTSL-HBFC1-UV-KO-PIR

## BLUETOOTH WIRELESS FIXTURE CONTROLLER AND SENSOR

### FACTORY RESET

If a controller is assigned to another region, it will not appear when searching for new fixtures. Perform the following power cycle sequence to factory reset the controller:

1. Power on for 1 second, then off for 10 seconds.
2. Power on for 1 second, then off for 10 seconds.
3. Power on for 1 second, then off for 10 seconds.
4. Power on for 10 seconds, then off for 10 seconds.
5. Power on for 10 seconds, then off for 10 seconds.
6. Turn the fixture back on. The device should now be decommissioned and ready to add to a region.

### ORDERING INFORMATION

ORDER CODE	PACK QTY.	UPC	EASY CODE	DLC PRODUCT ID
KTSL-HBFC1-UV-KO-PIR	54	843654129266	AEJ-50	N-ZPC4JY

### CATALOG NUMBER BREAKDOWN

# KTSL-HBFC1-UV-KO-PIR

1

2

3

4

5

6

- 1 Keystone Technologies SmartLoop
- 2 High Bay Fixture Controller
- 3 Design Style 1
- 4 Universal Voltage
- 5 KnockOut Installation Style
- 6 PIR Sensor Type