



VAPOR TIGHT FIXTURE INSTRUCTIONS

INSTALLATION AND OPERATING INSTRUCTIONS

PLEASE FIND A QUALIFIED ELECTRICIAN FOR INSTALLATION. Please read the instructions before installation and use.

WARNING

- To reduce the risk of death, personal injury or property damage from fire, electric shock, falling parts, cuts/abrasions, and other hazards read all warnings and instructions included with and on the fixture box and all fixture labels.
- Before installing, servicing, or performing routine maintenance upon this equipment, follow these general precautions.
- Commercial installation, service and maintenance of luminaires should be performed by a qualified licensed electrician.
- For the installation: If you are unsure about the installation or maintenance of the luminaires, consult a qualified licensed electrician and check your local electrical code.
- To prevent wiring damage or abrasion, do not expose wiring to edges of sheet metal or other sharp objects.
- Do not make or alter any open holes in an enclosure of wiring or electrical components during kit installation.

WARNING

- Turn off electrical power at fuse or circuit breaker box before wiring fixture to the power supply.
- Turn off the power when you perform any maintenance.
- Verify that supply voltage is correct by comparing it with the luminance label information.
- All wiring connections should be capped with UL approved wire connectors.

CAUTION

- Avoid direct eye exposure to the light source while it is on.
- Account for small parts and destroy packing material, as these may be hazardous to children.
- Risk of burn. Disconnect power and allow fixture to cool before changing bulb or handing fixture.

NOTICE: Green ground screw provided in proper location. Do not relocate.

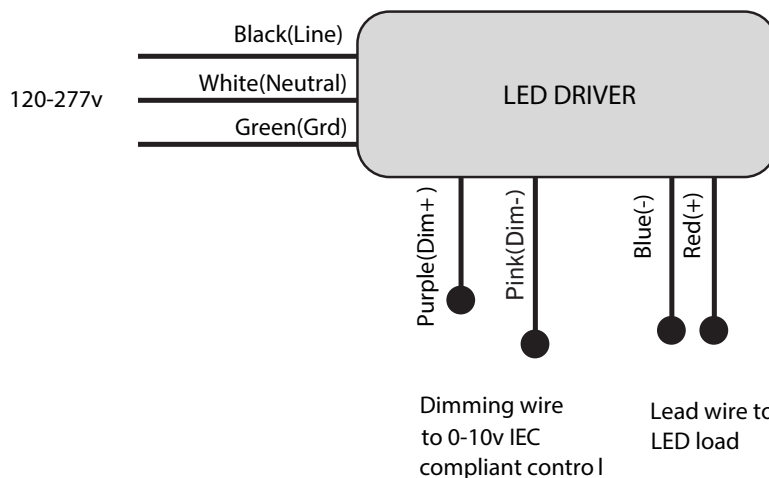
NOTICE: Minimum 90° supply conductors.

NOTICE: Specifications and dimensions subject to change without notice.

NOTICE: Suitable for Dry or Damp location.

GENERAL SETUP INSTRUCTIONS

WIRING DIAGRAM



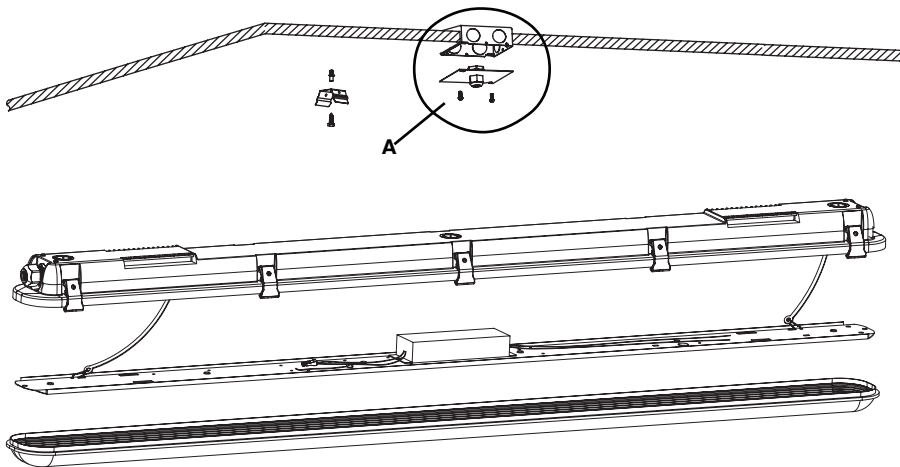
**In accordance with NEC-20 410.69 2022, all 0-10V negative wires have been updated from gray to pink. Please contact Keystone for details.*

VAPOR TIGHT FIXTURE INSTRUCTIONS

INSTALLATION STEP:

Always turn off the power supply from main circuit breaker first!

1. Locate drill holes for mounting brackets. Use hardware found in the hardware kit. Mount brackets to surface. Minimum of two brackets per fixture.
2. Open the pre-attached lens buckles to expose the LED gear tray and un-snap the LED gear tray via metal Clips on either side of the LED module.
3. Locate safety cables when opening the fixture and snap safety tether to gear tray (as shown in Figure B.)
4. Attach fixture body to mounting brackets.
5. Connect power to the driver. (Flexible cord supplied by others.)
6. Follow general wiring Diagram of Figure A for reference. Make sure the power supply is disconnected before installing.
7. Re-attached LED gear tray to fixture by reversing step 2. Ensure no wiring is caught between the clips.
8. Install the lens by using all of the buckles provided with the fixture.
9. Restore power.



Note:

- Connect input power source supply wiring to fixture using appropriate wet location rated strain reliefs. Either flexible cord (SJTW 18 AWG) or other appropriate conduit as needed for the application.
- If using an outlet box for wiring, be sure it is rated
- Do not make any holes in the fixture body other than the punching out the pre-punched holes for input wiring.

