



# DIRECT DRIVE DX2

SINGLE- OR DOUBLE-ENDED LINE VOLTAGE LED TUBES

## KT-LED12T8-36GC-8XX-DX2 /G2

### T8 LED LAMP

#### DESCRIPTION

12W T8 LED | 3500-5000K | >83 CRI | High Efficiency | Single or Double-ended Wiring



<b>LAMP TYPE:</b> Linear
<b>BULB TYPE:</b> T8 LED
<b>BASE TYPE:</b> G13 (Medium Bi-Pin)
<b>WATTAGE:</b> 12W
<b>COLOR TEMPERATURE:</b> 3500-5000K
<b>COLOR RENDERING INDEX (CRI):</b> >83
<b>WARRANTY:</b> 10 Year Limited



#### PRODUCT FEATURES

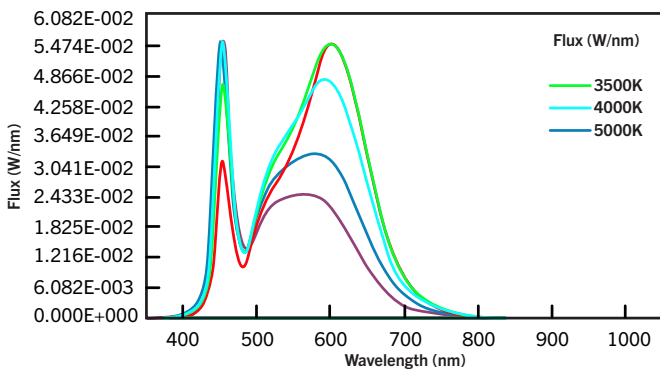
- Replacement for Conventional Fluorescent Lamp
- Single or Double-Ended Wiring
- 50,000+ Hour Lifetime
- Approximately 40% More Energy Efficient than Standard F32T8 Lamps
- Environmentally Friendly: No Mercury Used
- Instant Startup
- NSF listed: NSF/ANSI Standard 2: Food equipment, splash zone (component level—not for direct food zone without additional fixture considerations)
- Improved Lamp Durability with Shatterproof Coated Glass, designed to pass drop tests of 6' on hard surface
- DLC Listed
- Frosted Glass Lens Eliminates Pixelation
- UL Classified
- Operating Temperature: -20°C/-4°F to 45°C/113°F
- Storage Temperature: -40°C/-40°F to 70°C/158°F
- Operating Humidity: 35-80%
- THD 20%
- Integral Driver (Isolated), Eliminates the Need for External Driver or Ballast
- 130+ Lumens per Watt
- Meets FCC Part 15, Class B
- Compatible with Keystone AC Emergency Drivers: KT-EMRG-LED-5-500-AC, KT-EMRG-LED-5-500-AC/DF, KT-EMRG-LED-12-1200-AC, or KT-EMRG-LED-12-1200-AC /DF
- Lamp is dimmable when used with an appropriate dimming accessory (purchased separately). Contact Keystone for more details to find out what is best for the intended application.

#### ELECTRICAL AND PERFORMANCE SPECIFICATIONS

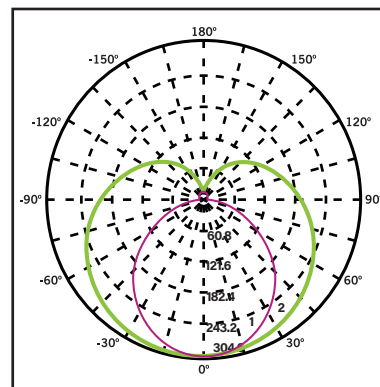
Catalog Number	Input Voltage	Power Consumption	Color Temperature (CCT)	Luminous Flux	Efficacy	Beam Angle	Visible Light Area	Power Factor	Input Current	Rated Life
KT-LED12T8-36GC-835-DX2 /G2	120-277Vac	12W	3500K	1600 lm	133 lm/W	240°	325°	>0.9	0.10A @ 120V 0.04A @ 277V	L70 (Hours) 50,000
KT-LED12T8-36GC-840-DX2 /G2			4000K	1650 lm	138 lm/W					
KT-LED12T8-36GC-850-DX2 /G2			5000K	1650 lm	138 lm/W					

#### PHOTOMETRIC SPECIFICATIONS

##### SPECTRAL DISTRIBUTION



##### POLAR CANDELA DISTRIBUTION



Maximum Candela = 1248.55  
Located at Horizontal Angle = 0,  
Vertical Angle 0

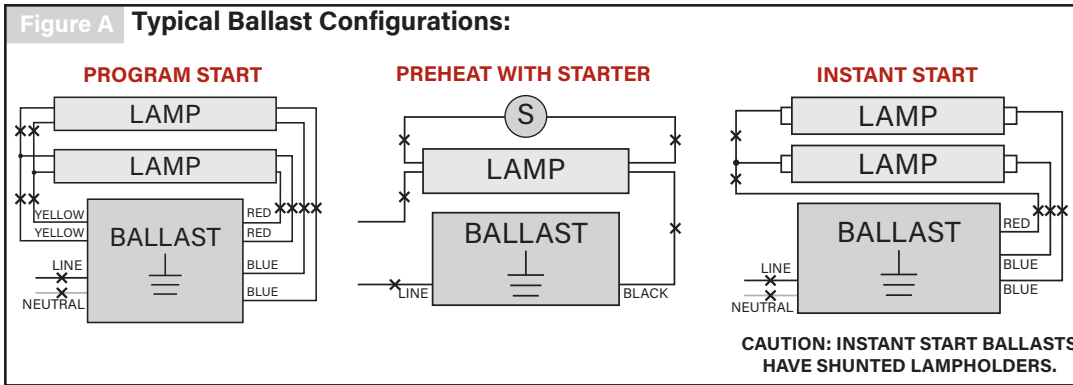
1. **Violet** Vertical Plane through Horizontal Angles (90-270)
2. **Green** Vertical Plane through Horizontal Angles (0-180)

# KT-LED12T8-36GC-8XX-DX2 /G2

## T8 LED LAMP

### SINGLE-ENDED WIRING DIAGRAM

1. Cut all existing connections to ballast as shown below and remove ballast. See Figure A for typical ballast configurations. **Note: Single-ended wiring requires non-shunted lampholders.**



**Typical Non-Shunted Lampholder**

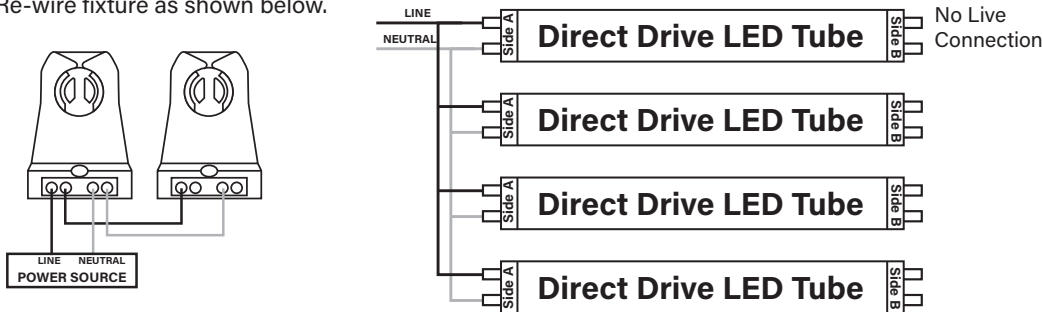
Connect wires directly to these terminals

**CAUTION: For Single-ended wiring use only non-shunted lampholders.**

For Single-ended wiring, do not install product in a fixture with shunted lampholders (found in all fixtures using instant start ballasts). If the current lampholders are shunted, remove them and replace them with non-shunted lampholders. Make new connections directly to terminals as indicated above.

Keystone can provide any style replacement lampholders. Call us at 800-464-2680.

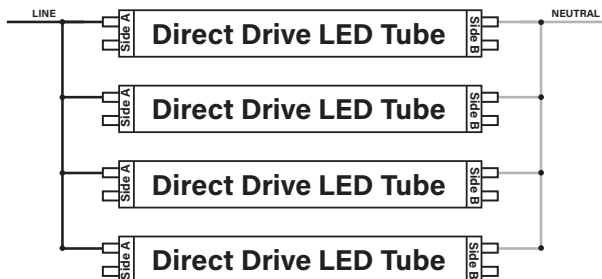
2. Re-wire fixture as shown below.



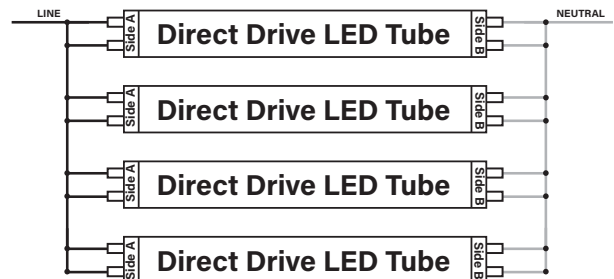
### DOUBLE-ENDED WIRING DIAGRAM

1. Cut all existing connections to ballast as shown below and remove ballast. See Figure A above for typical ballast configurations.
2. Re-wire fixture as shown below. For Double-ended wiring, use either shunted or nonshunted lampholders.  
**Note: There should not be any exposed wires at the end of installation.**

Shunted Lampholders



Nonshunted Lampholders





**DIRECT DRIVE DX2**  
SINGLE- OR DOUBLE-ENDED LINE VOLTAGE LED TUBES

## KT-LED12T8-36GC-8XX-DX2 /G2

### T8 LED LAMP

#### PHYSICAL SPECIFICATIONS

##### LAMP DIMENSIONS

	<b>A (Illuminated Length)</b>	30.64"
	<b>B (Body Length)</b>	35.19"
	<b>C (Diameter)</b>	1.02"

NOMINAL LENGTH: 36" BASE TYPE: G13 (Medium Bi-Pin)

#### ORDERING INFORMATION

ORDER CODE	PACK QTY.	UPC	EASY CODE	DLC PRODUCT ID
KT-LED12T8-36GC-835-DX2 /G2	25	843654157337	BGX-19	TBD
KT-LED12T8-36GC-840-DX2 /G2	25	843654157344	VQU-86	
KT-LED12T8-36GC-850-DX2 /G2	25	843654157351	LFA-22	

#### CATALOG NUMBER BREAKDOWN

# KT-LED12T8-36GC-8XX-DX2 /G2

1 2 3 4 5 6 7 8 9 10

- 1 Keystone Technologies
- 2 LED Lamp
- 3 Wattage
- 4 Lamp Type
- 5 Nominal Length (Inches)
- 6 Glass Coated
- 7 80 CRI
- 8 Color Temperature
- 9 Single- or Double-Ended Wiring
- 10 Second Generation