



# EXTERNAL DRIVE LED

TYPE C LED TUBES

## KTLD-2LT5HO-UV-12C-VDIM /G2

### CONSTANT CURRENT LED DRIVER FOR TYPE C T5HO LAMPS

#### DESCRIPTION

Constant Current Output | 120–277V Input | 0–10V Dimming



**10 YEAR**  
LIMITED WARRANTY

<b>DRIVER TYPE:</b> Constant Current
<b>OUTPUT CURRENT:</b> 0.27A × 2 Channels
<b>INPUT POWER:</b> 26W
<b>MAX. CURRENT</b> 0.25A@120V, 0.13A@277V
<b>MAX. OUTPUT POWER:</b> 23W
<b>WARRANTY:</b> 10 Years



#### PRODUCT FEATURES

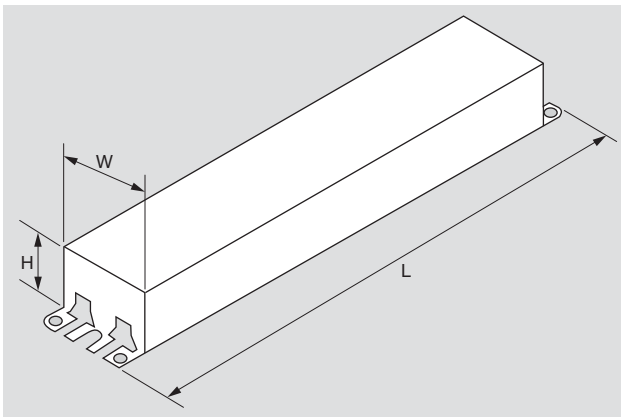
- Compatible with Keystone external drive T5HO LED lamps
- Meets FCC Part 15 (Class B) consumer limits
- Short circuit overload and open load protection
- Type 1 outdoor, suitable for dry and damp locations
- UL8750 Recognized component
- Dimmable with 0–10V Dimmer, dim minimum 10%
- Operating temperature: –20°C/–4°F to 45°C/113°F
- 85°C/185°F maximum case temperature
- Input frequency: 50/60 Hz
- THD: < 20%
- 70,000 hour timeline

#### ELECTRICAL SPECIFICATIONS

INPUT CHARACTERISTICS				OUTPUT CHARACTERISTICS			FEATURES
Input Voltage	Input Power	Power Factor	Max. Current	Max. Output Power	Max. Current	Output Voltage	Efficiency
120–277Vac	26W	>0.9	0.25A@120V 0.13A@277V	23W	0.27A × 2 Channels	36–45Vdc	88%

#### MECHANICAL SPECIFICATIONS

##### CASE DIMENSIONS



<b>LENGTH (L)</b>	9.53"
<b>WIDTH (W)</b>	1.32"
<b>HEIGHT (H)</b>	1.10"

\*TC Point (85°C) is noted on each driver label

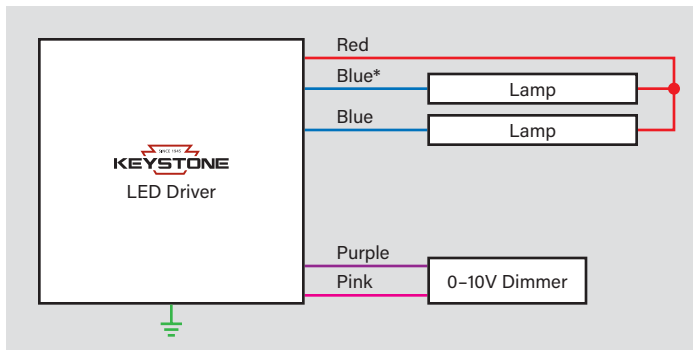


# KTLD-2LT5HO-UV-12C-VDIM /G2

## CONSTANT CURRENT LED DRIVER FOR TYPE C T5HO LAMPS

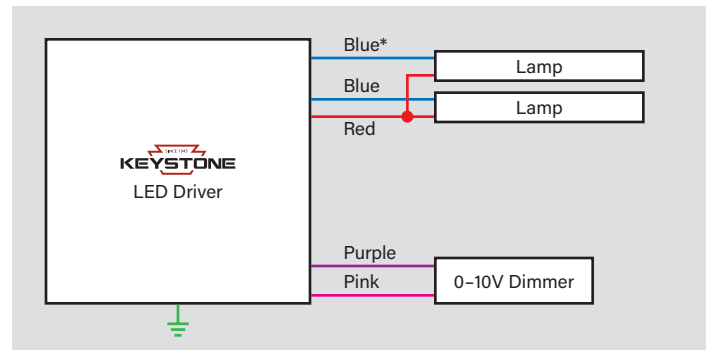
### WIRING

#### DOUBLE-ENDED WIRING



\* For 1 lamp application, cap off 1 blue lead

#### SINGLE-ENDED WIRING



\* For 1 lamp application, cap off 1 blue lead

#### STANDARD LEAD LENGTHS\*

Input	Black	30.00"
	White	30.00"
Output	Red	30.00"
	Blue	30.00"
Dimming	Purple	30.00"
	Pink	30.00"

Lead wires are 18 AWG 105° C/600V.

\*Consult Keystone for special lead length requirements.

### ORDERING INFORMATION

Order Code	Pack Quantity	UPC	Easy Code
KTLD-2LT5HO-UV-12C-VDIM /G2	25	843654141367	MZV-06

### CATALOG NUMBER BREAKDOWN

# KTLD-2LT5HO-UV-12C-VDIM /G2

- 1
- 2
- 3
- 4
- 5
- 6
- 7
- 8

- 1** Keystone Technologies LED Driver
- 2** Number of Lamps
- 3** Lamp Type
- 4** High Output
- 5** 120-277V Input
- 6** Lamp Wattage
- 7** 0-10V Dimming
- 8** Generation 2