

KT-SLFLED500HV-S1-XX-YM-750-VDIM

SPORTS LIGHT FLOOD

DESCRIPTION

500W Sports Light Flood | 5000K | Multiple Beam Angle
 Options | 208–480V Input | Gray Housing

APPLICATION

High power, wide flood, pole mount illumination needs
 (municipal parks and baseball fields, high school football
 stadiums, driving ranges, rodeos, ski resorts, etc.)



PRODUCT FEATURES

- Heavy duty die cast aluminum housing in gray finish offers a durable and modern aesthetic while carrying inspiration from existing legacy fixture solutions. Optimized for HID replacement needs
- Precision crafted optics that ensure uniform, proper lighting. Available in multiple beam angle options (30° standard, 20°, 40°, 60°, and 80° optional)
- Glare shield included in packaging. Easy install for use as required by site demands
- Comes with shorting cap and integrated NEMA/ANSI C136.41 7 pin twist lock receptacle
- Designed for install as a single assembly or with remote driver box. Allows for on site flexibility and lower EPA ratings
- Pre installed yoke mount bracket. Slipfitter and knuckle mounts optional (sold separately)
- Fixture mountable laser accessory available for fixture aiming, KT-SLFLED-LASER-G (sold separately)
- Ambient operating temperature: –40°C/–40°F to 50°C/122°F
- Powered by Keystone 0–10V dimming LED driver
- UL Certified for wet locations; IP65 rated
- Power factor: > 0.95
- THD: < 20%
- LED chip lifetime: L70 > 100,000 hrs @ 25°C/77°F ambient fixture temperature
- Meets FCC Part 15, Part B, Class A standards for conducted and radiated emissions

DIMENSIONS AND WEIGHTS

Carton Dimensions	20.08"L x 21.65"W x 20.08"H
Carton Weight	41.01 lbs
Total Fixture Weight	38.58 lbs
Fixture Head Weight	26.54 lbs
Fixture Driver Box Weight	12.04 lbs

PRODUCT SPECIFICATIONS

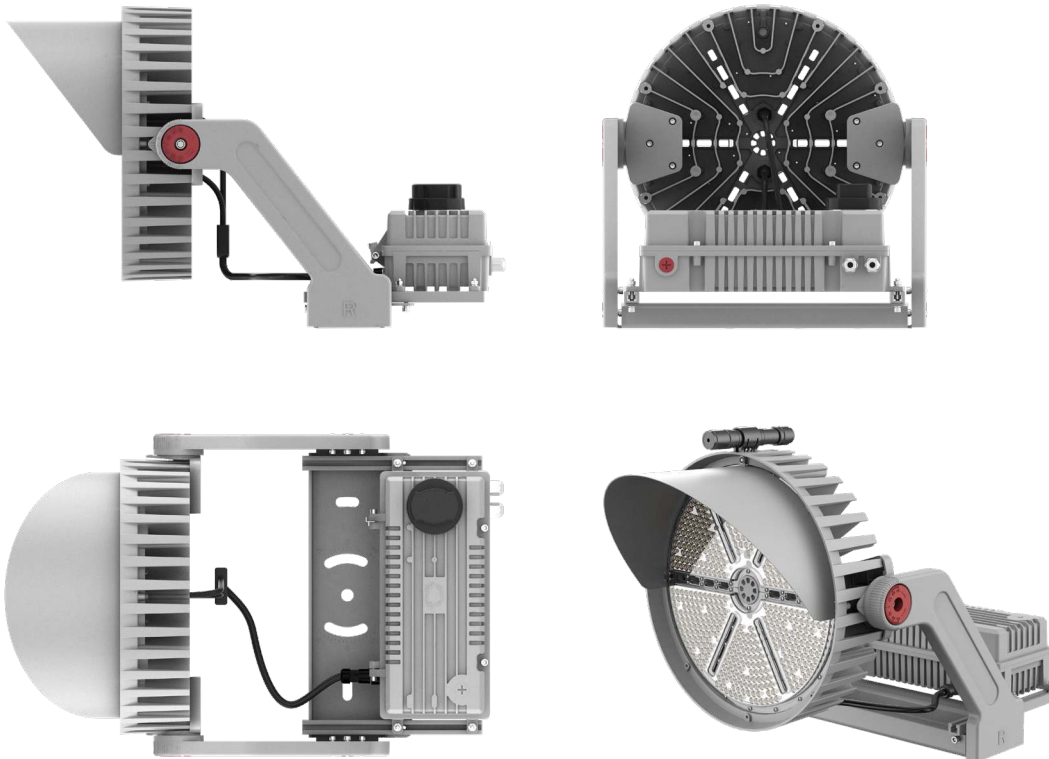
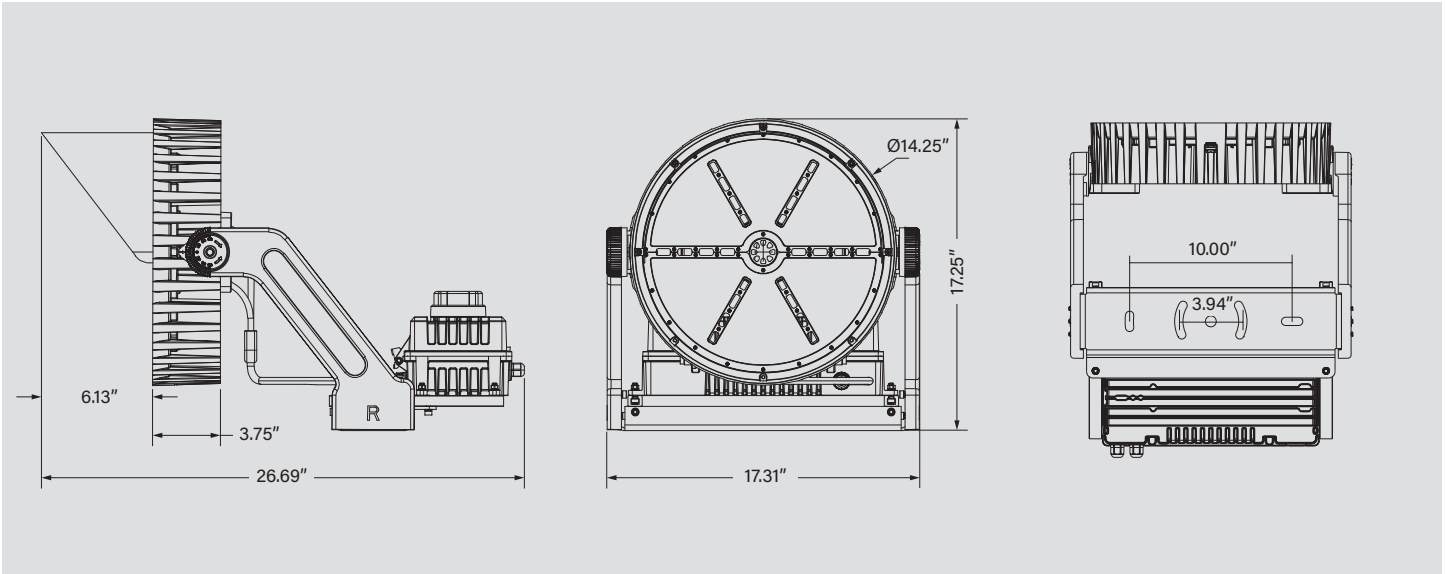
Catalog Number	Wattage	CCT	Lumens	Efficacy	Input Voltage	Dimming	Beam Angle	CRI	DLC	Legacy Equivalent
KT-SLFLED500HV-S1-20-YM-750-VDIM	500W	5000K	70,000	140 lm/W	208–480V	0–10V	20°	> 70	Y	1,500W MH
KT-SLFLED500HV-S1-30-YM-750-VDIM							30°			
KT-SLFLED500HV-S1-40-YM-750-VDIM							40°			
KT-SLFLED500HV-S1-60-YM-750-VDIM							60°			
KT-SLFLED500HV-S1-80-YM-750-VDIM							80°			

Note: Fixtures with 20°, 40°, 60°, and 80° beam angles are available and assembled to order. Lead times may apply.

KT-SLFLED500HV-S1-XX-YM-750-VDIM

SPORTS LIGHT FLOOD

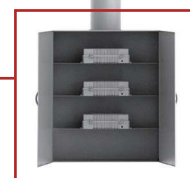
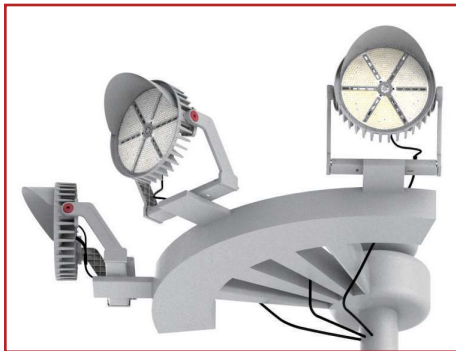
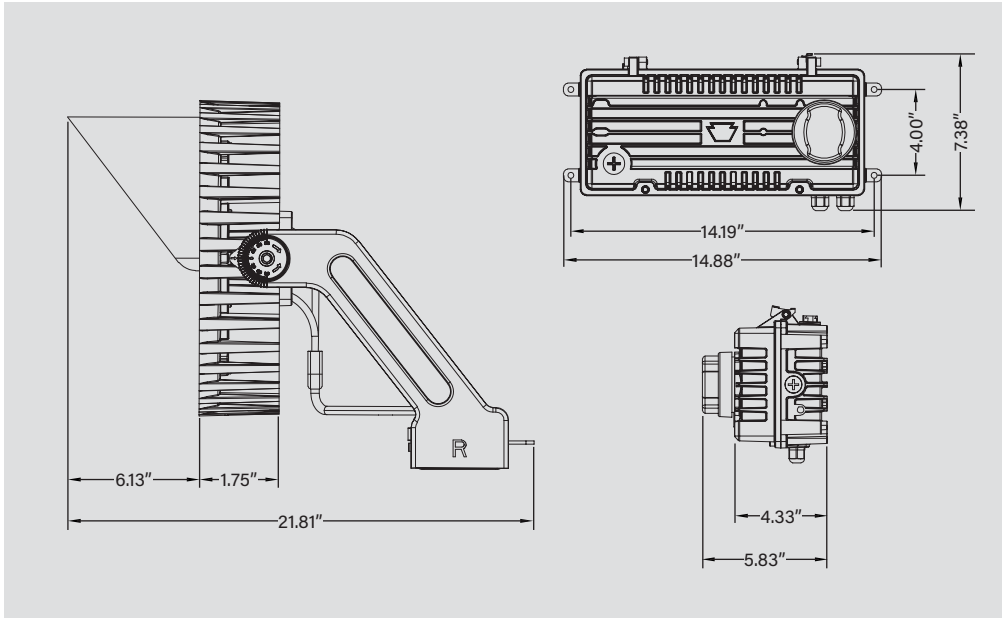
PHYSICAL SPECIFICATIONS WITH DRIVER BOX ATTACHED



KT-SLFLED500HV-S1-XX-YM-750-VDIM

SPORTS LIGHT FLOOD

PHYSICAL SPECIFICATIONS WITH DRIVER BOX SEPARATED



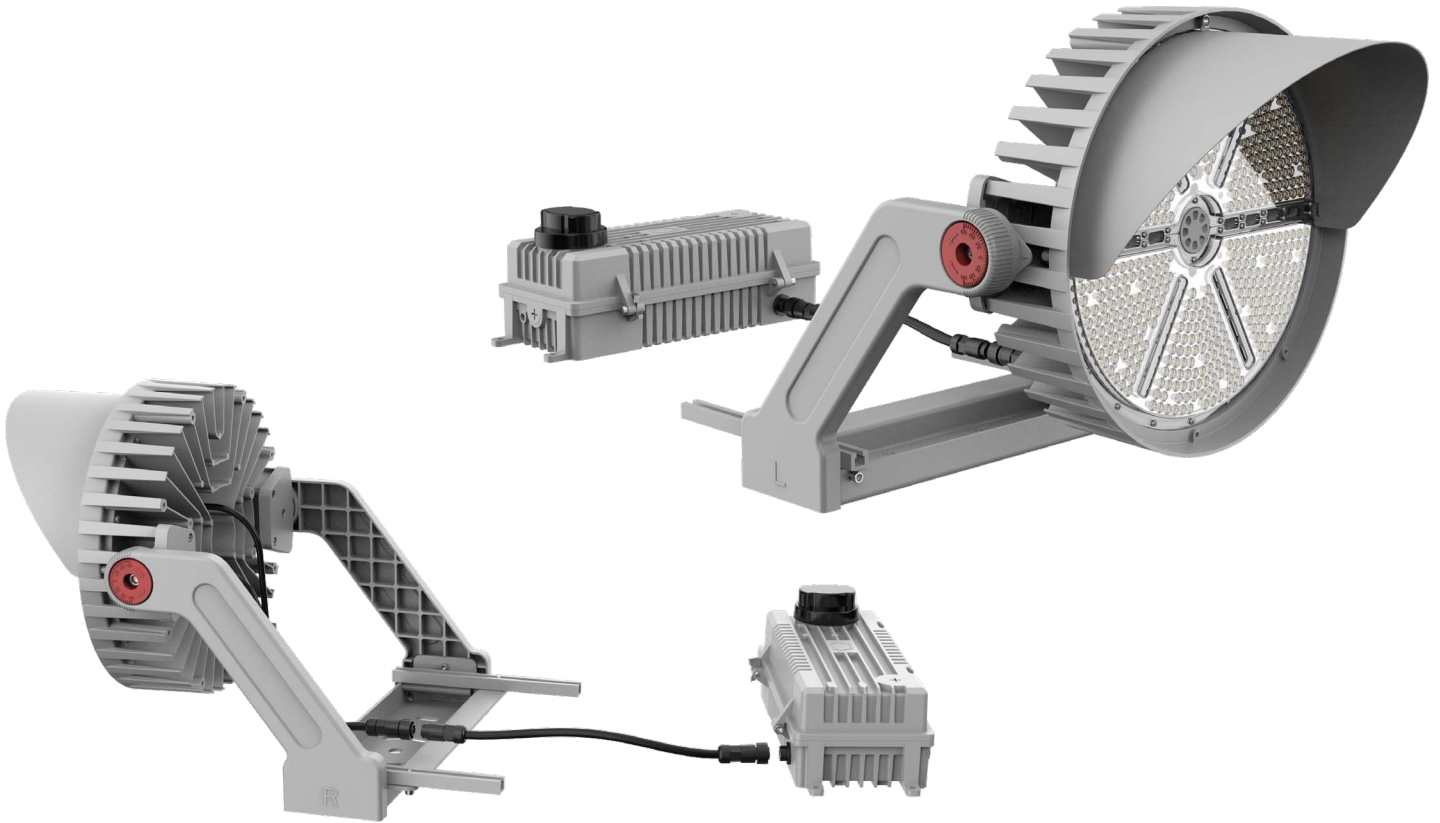
Note: Maximum cord length is 50 m / 164 ft

Note: Images are for reference only. Contact Keystone with questions regarding remote mounting and enclosures

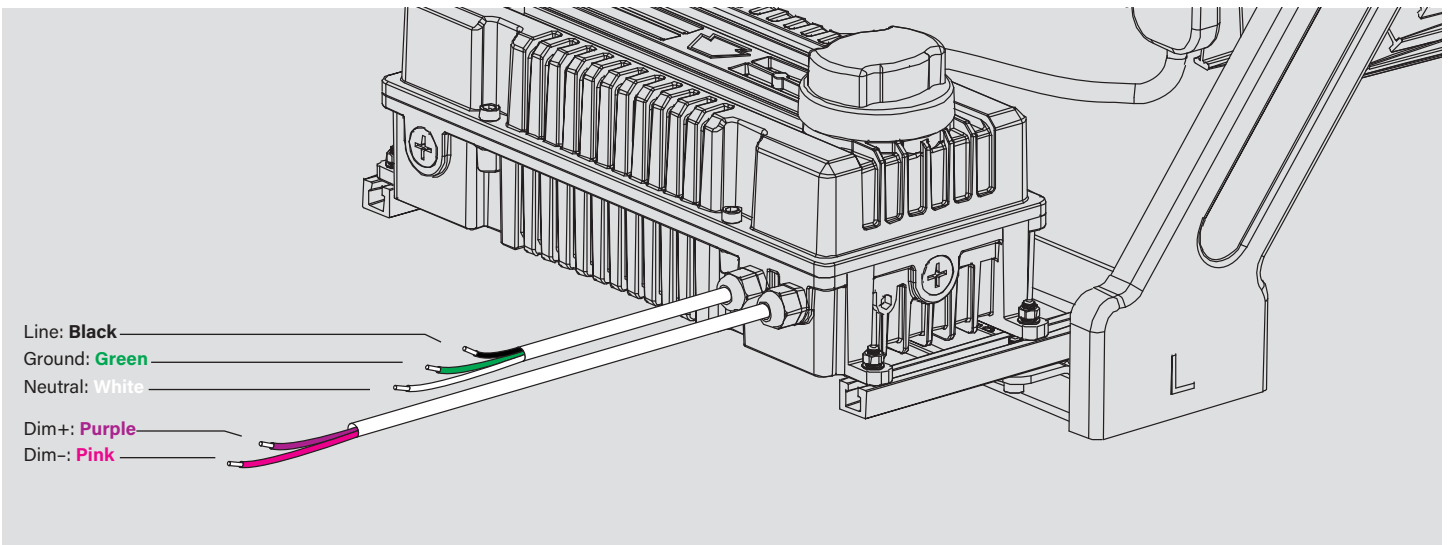
KT-SLFLED500HV-S1-XX-YM-750-VDIM

SPORTS LIGHT FLOOD

WITH DRIVER BOX SEPARATED



WIRING DIAGRAM



Note: 16 AWG cord. Input and dimming wires extend 3 ft from driver box.

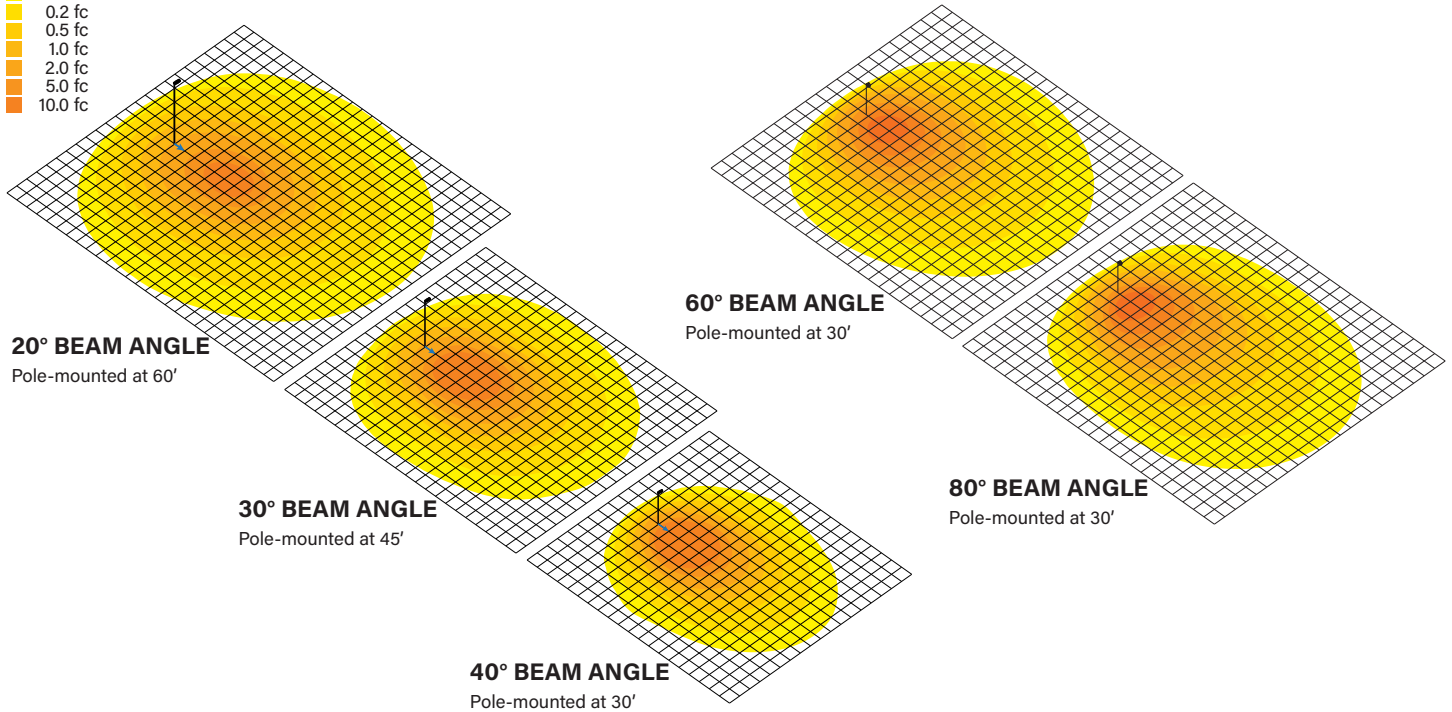
KT-SLFLED500HV-S1-XX-YM-750-VDIM

SPORTS LIGHT FLOOD

LIGHT DISTRIBUTION PATTERN

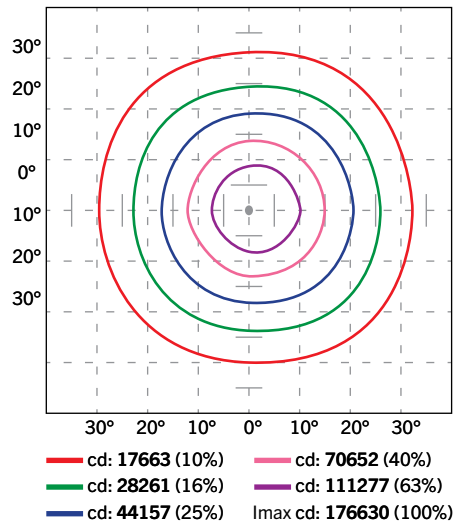
Photometric layouts for general reference only. All fixtures are pointed at 45° below horizontal. Each square is 10 ft x 10 ft

- 0.1 fc
- 0.2 fc
- 0.5 fc
- 1.0 fc
- 2.0 fc
- 5.0 fc
- 10.0 fc

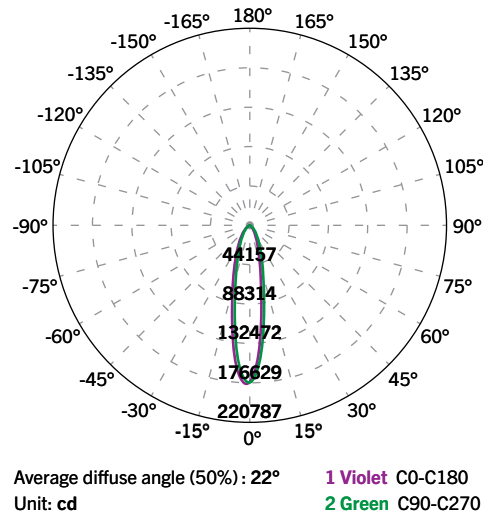


PHOTOMETRIC SPECIFICATIONS (20° BEAM ANGLE)

ISOCANDELA PLOT



LUMINOUS INTENSITY DISTRIBUTION



FLUX DISTRIBUTION

Zone	Lumens	% Luminaire
Forward Light	32,620	48.4%
0°-30°	20,733	30.8%
30°-60°	9,453	14.0%
60°-80°	2,282	3.4%
80°-90°	153	0.2%
Back Light	33,733	50.1%
0°-30°	21,422	31.8%
30°-60°	9,772	14.5%
60°-80°	2,372	3.5%
80°-90°	167	0.2%
Up Light	1,025	1.5%
90°-100°	87	0.1%
100°-180°	938	1.4%

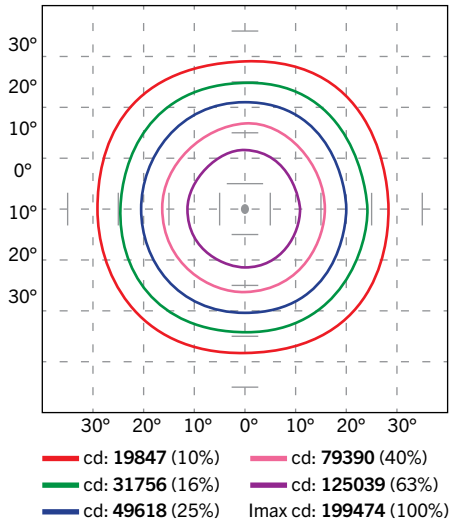
(Photometric Specifications continued on next page)

KT-SLFLED500-S1-XX-YM-750-VDIM

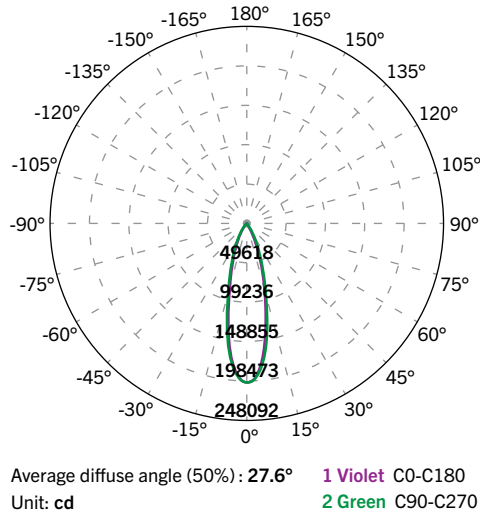
SPORTS LIGHT FLOOD

PHOTOMETRIC SPECIFICATIONS (30° BEAM ANGLE)

ISOCANDELA PLOT



LUMINOUS INTENSITY DISTRIBUTION

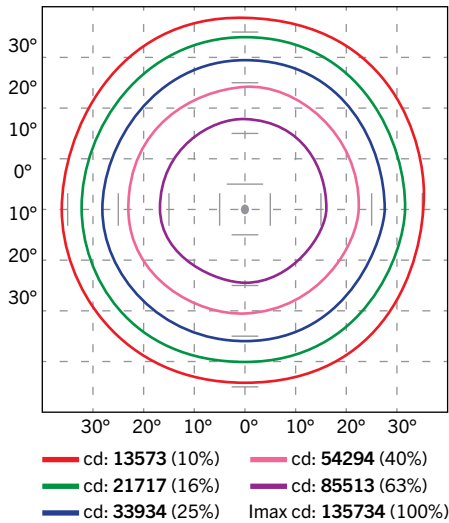


FLUX DISTRIBUTION

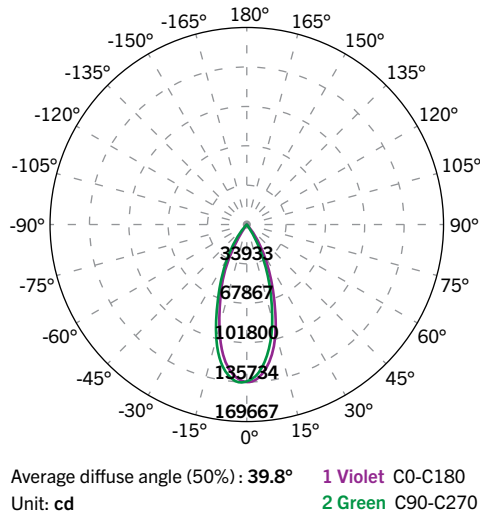
Zone	Lumens	% Luminaire
Forward Light	35,119	49.9%
0°-30°	26,988	38.3%
30°-60°	6,739	9.6%
60°-80°	1,322	1.9%
80°-90°	69	0.1%
Back Light	35,326	50.1%
0°-30°	27,175	38.6%
30°-60°	6,811	9.7%
60°-80°	1,280	1.8%
80°-90°	59	0.1%
Up Light	0	0.0%
90°-100°	0	0.0%
100°-180°	0	0.0%

PHOTOMETRIC SPECIFICATIONS (40° BEAM ANGLE)

ISOCANDELA PLOT



LUMINOUS INTENSITY DISTRIBUTION



FLUX DISTRIBUTION

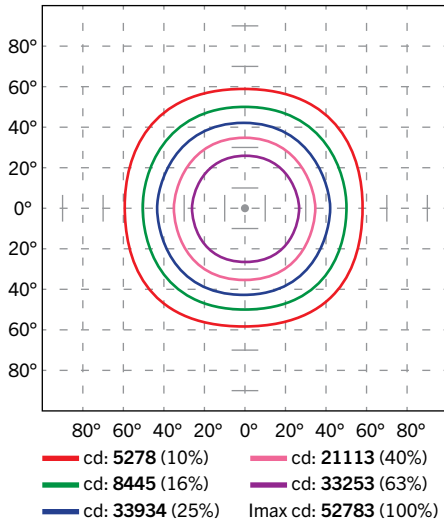
Zone	Lumens	% Luminaire
Forward Light	34,979	45.9%
0°-30°	26,903	35.3%
30°-60°	7,175	9.4%
60°-80°	834	1.1%
80°-90°	67	0.1%
Back Light	40,085	52.6%
0°-30°	30,557	40.1%
30°-60°	8,627	11.3%
60°-80°	830	1.1%
80°-90°	71	0.1%
Up Light	1,078	1.4%
90°-100°	79	0.1%
100°-180°	1,000	1.3%

KT-SLFLED500-S1-XX-YM-750-VDIM

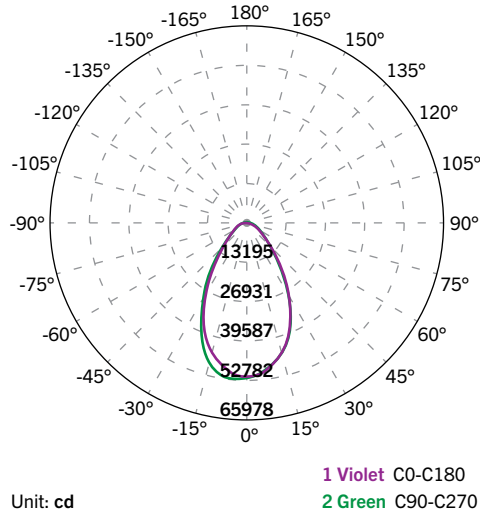
SPORTS LIGHT FLOOD

PHOTOMETRIC SPECIFICATIONS (60° BEAM ANGLE)

ISOCANDELA PLOT



LUMINOUS INTENSITY DISTRIBUTION

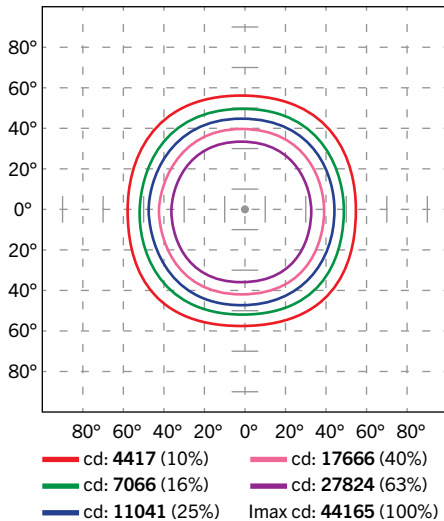


FLUX DISTRIBUTION

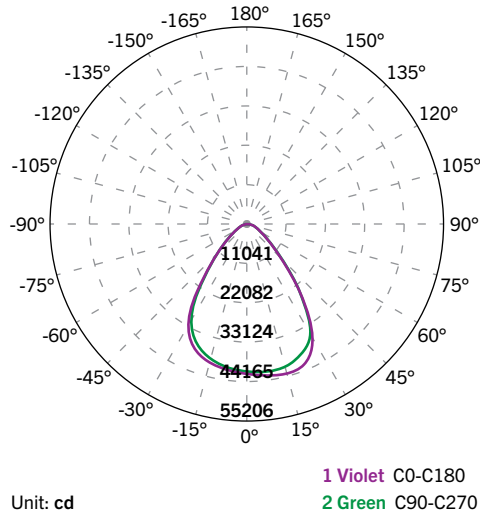
Zone	Lumens	% Luminaire
Forward Light	33,656	50.2%
0°-30°	16,911	25.2%
30°-60°	13,812	20.6%
60°-80°	2,758	4.1%
80°-90°	175	0.3%
Back Light	33,329	49.8%
0°-30°	16,831	25.1%
30°-60°	13,611	20.3%
60°-80°	2,723	4.1%
80°-90°	163	0.2%
Up Light	0	0.0%
90°-100°	0	0.0%
100°-180°	0	0.0%

PHOTOMETRIC SPECIFICATIONS (80° BEAM ANGLE)

ISOCANDELA PLOT



LUMINOUS INTENSITY DISTRIBUTION



FLUX DISTRIBUTION

Zone	Lumens	% Luminaire
Forward Light	35,484	51.5%
0°-30°	17,198	25.0%
30°-60°	16,109	23.4%
60°-80°	2,011	2.9%
80°-90°	165	0.2%
Back Light	33,375	48.5%
0°-30°	16,313	23.7%
30°-60°	14,958	21.7%
60°-80°	1,940	2.8%
80°-90°	165	0.2%
Up Light	0	0.0%
90°-100°	0	0.0%
100°-180°	0	0.0%







KT-SLFLED500HV-S1-XX-YM-750-VDIM

SPORTS LIGHT FLOOD

EPA SPECIFICATIONS

Small-Size Fixture Housing

Conditions: Horizontal winds only for calculations. Worst case total projected area used for calculations. All drag coefficients are set as worst case 1.2. For details on exact EPA calculations and assumptions, please contact productsupport@keystonetech.com

EPA Calcs (1.2*ft^2 View)			Single Fixture	2 Fixtures Side-by-Side	3 Fixtures Side-by-Side
Mounting Application	Fixture Position	Housing Size			
Plate Mount 	45°	S (500W)	1.77 sq. ft.	3.53 sq. ft.	5.30 sq. ft.

ACCESSORIES

SENSORS

Field-Installable / Field-Use ONLY (purchased separately)

✓	CATALOG NUMBER	DESCRIPTION	COLOR	UPC	EASY CODE
	KT-TLP-HV-3PN	NEMA Type 3-Pin Photocell; 277-480V; 1800VA max	Yellow	843654131832	CGF-01



CORD SETS

Field-Installable / Field-Use ONLY (purchased separately)

✓	CATALOG NUMBER	DESCRIPTION	UPC	EASY CODE
	KT-SLFLED-EC-35	35' extension cord to remote mount LED driver for SLFLED fixtures	843654154992	OKK-79
	KT-SLFLED-EC-65	65' extension cord to remote mount LED driver for SLFLED fixtures	843654155005	QCB-67



MOUNTS AND BRACKETS

Field-Installable / Field-Use ONLY (purchased separately)

✓	CATALOG NUMBER	DESCRIPTION	UPC	EASY CODE
	KT-SLFLED-KM-1-KIT	Knuckle mount kit for Series 1 Sports Light Flood, Small Housing. Gray	843654155821	BHT-47
	KT-SLFLED-SF-S1-KIT	Slipfitter mount kit for Series 1 Sports Light Flood, Small Housing. Fits 2 3/8" tenon. Gray	843654154930	JWV-40



Field-Installable / Field-Use ONLY (purchased separately)

✓	CATALOG NUMBER	DESCRIPTION	UPC	EASY CODE
	KT-SLFLED-LASER-G	Green laser pointer for Sports Light Flood aiming. Includes hardware to mount to SLFLED fixtures	843654155012	ESD-34



Note: Each above item has a corresponding specification sheet with technical drawings. Please visit keystonetech.com for details



KT-SLFLED500HV-S1-XX-YM-750-VDIM

SPORTS LIGHT FLOOD

ORDERING INFORMATION

CATALOG NUMBER	UPC	EASY CODE
KT-SLFLED500HV-S1-20-YM-750-VDIM	843654155302	HQT-17
KT-SLFLED500HV-S1-30-YM-750-VDIM	843654154916	OET-49
KT-SLFLED500HV-S1-40-YM-750-VDIM	843654155319	HHO-04
KT-SLFLED500HV-S1-60-YM-750-VDIM	843654159874	TYZ-10
KT-SLFLED500HV-S1-80-YM-750-VDIM	843654159881	UMY-24

CATALOG NUMBER BREAKDOWN

KT-SLFLED500HV-S1-XX-YM-750-VDIM

1	2	3	4	5	6	7	8	9	10	11	12
1 Keystone Technologies	2 Fixture Type	3 LED Lamp	4 Wattage	5 High Voltage	6 Size	7 Style	8 Beam Angle	9 Mounting Options	10 CRI	11 CCT	12 Dimming
	8 Beam Angle	9 Mounting Options	10 CRI	11 CCT	12 Dimming						
	SLF Sports Light Flood	YM Yoke Mount	50 5000K	7 > 70	S Small		20 20°				
							30 30°				
							40 40°				
							60 60°				
							80 80°				