

KTLD-2LT8-UV-10C-VDIM /G2

CONSTANT CURRENT LED DRIVER FOR TYPE C T8 LAMPS

DESCRIPTION

Constant Current Output | 120-277V Input | 0-10V Dimming



RoHS
Compliant



10 YEAR
LIMITED WARRANTY



| |
|---|
| DRIVER TYPE: Constant Current |
| MAX. OUTPUT POWER: 24.3W |
| INPUT VOLTAGE: 120-277Vac ±10% |
| OUTPUT VOLTAGE: 36~45 Vdc |
| OUTPUT CURRENT: 260mA x 2 channels |
| WARRANTY: 10 Years |

PRODUCT FEATURES

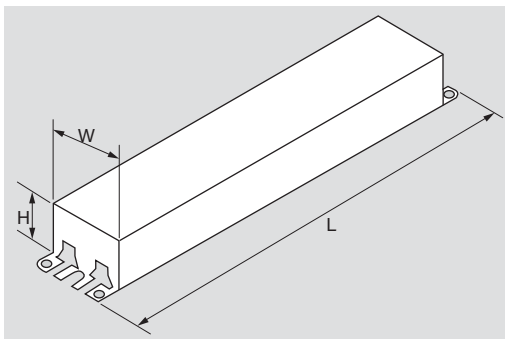
- Compatible with Keystone External Drive T8 LED Lamps
- Meets FCC Part 15 (Class B) consumer limits
- Short circuit overload and open load protection
- Type 1 outdoor, suitable for dry and damp locations
- UL8750 recognized component
- Dimmable with 0-10V dimmer, minimum dim 10%
- Operating temperature: -20°C/-4°F to 45°C/113°F
- 85°C/185°F maximum case temperature
- Input frequency: 50/60 Hz
- THD: < 20%
- 70,000 hour lifetime

ELECTRICAL SPECIFICATIONS

| INPUT CHARACTERISTICS | | | | OUTPUT CHARACTERISTICS | | | FEATURES |
|-----------------------|-------------|--------------|--------------|------------------------|----------------------|----------------|------------|
| Input Voltage | Input Power | Power Factor | Max. Current | Max. Output Power | Rated Output Current | Output Voltage | Efficiency |
| 120-277Vac | 28.8W | >0.9 | 0.24A @ 120V | 24.3W | 260mA x 2 Channels | 36-45Vdc | 88% |

MECHANICAL SPECIFICATIONS

CASE DIMENSIONS



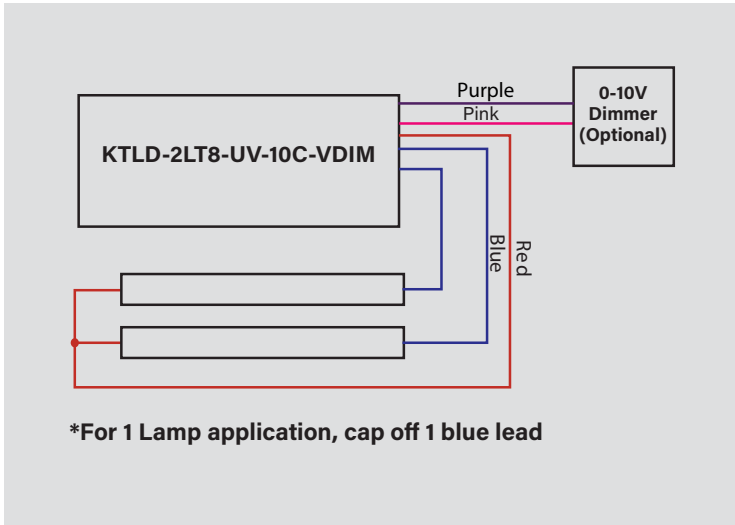
| | |
|-------------------|-------|
| LENGTH (L) | 9.50" |
| WIDTH (W) | 1.33" |
| HEIGHT (H) | 1.10" |

*TC Point (85°C) is noted on each driver label

KTLD-2LT8-UV-10C-VDIM /G2

CONSTANT CURRENT LED DRIVER FOR TYPE C T8 LAMPS

WIRING



STANDARD LEAD LENGTHS*

| | | |
|---------|--------|--------|
| Input | Black | 30.00" |
| | White | 30.00" |
| Output | Red | 30.00" |
| | Blue | 30.00" |
| Dimming | Purple | 30.00" |
| | Pink | 30.00" |

Lead wires are 18 AWG 105° C/600V.

*Consult Keystone for special lead length requirements.

ORDERING INFORMATION

| ORDER CODE | PACKAGING STYLE | UPC | EASY CODE |
|------------------------------|-----------------|--------------|-----------|
| KTLD-2LT8-UV-10C-VDIM-CP /G2 | Carton Pack | 843654141053 | DLF-77 |

CATALOG NUMBER BREAKDOWN

KTLD-2LT8-UV-10C-VDIM-CP /G2

- 1
- 2
- 3
- 4
- 5
- 6
- 7
- 8

- 1 Keystone Technologies LED Driver
- 2 # of Lamps
- 3 Lamp Type
- 4 120-277V Input
- 5 Lamp Wattage
- 6 0-10V Dimming
- 7 Packaging Style
- 8 Generation 2