



LED LINEAR HIGH BAY GENERATION 2

INSTALLATION INSTRUCTIONS

PLEASE FIND A QUALIFIED ELECTRICIAN FOR INSTALLATION. Please read the instructions before you install and use the area light.

APPLICATION

Used for commercial and industrial high bay lighting applications (including warehouses, factories, workshops, exhibition halls, gymnasiums, supermarkets, and other general area lighting requirements).

SAFETY AND ELECTRICAL PARAMETERS

Warning

- To reduce the risk of death, personal injury or property damage from fire, electric shock, falling parts, cuts/abrasions, and other hazards, read all warnings and instructions included with and or the fixture box and fixture labels.
- Before installing, servicing, or performing routine maintenance upon this equipment, follow these general precautions.
- Commercial installation, service, and maintenance of luminaires should be performed by a qualified licensed electrician.
- For the installation: If you are unsure about the installation or maintenance of the luminaires, consult a qualified licensed electrician and check your local electrical code.
- To prevent wiring damage or abrasion, do not expose wiring to edges of sheet metal or other sharp objects.
- Do not make or alter any open holes in an enclosure of wiring or electrical components during kit installation.

Warning

- Turn off electrical power at fuse or circuit breaker box before wiring fixture to the power supply.
- Turn off the power when you perform any maintenance.
- Verify that supply voltage is correct by comparing it with the luminaire label information.
- All wiring connections should be capped with UL approved wire connectors.

Caution

- Avoid direct eye exposure to the light source while it is on.
- Account for small parts and destroy/recycle packaging material, as these may be hazardous to children.
- Risk of Burn. Disconnect power and allow fixture to cool before handling/servicing.

Notice

- Green ground screw provided in proper location. Do not relocate.
- Minimum 90° supply conductors.
- Specifications and dimensions are subject to change without notice.
- Suitable for Dry or Damp location.

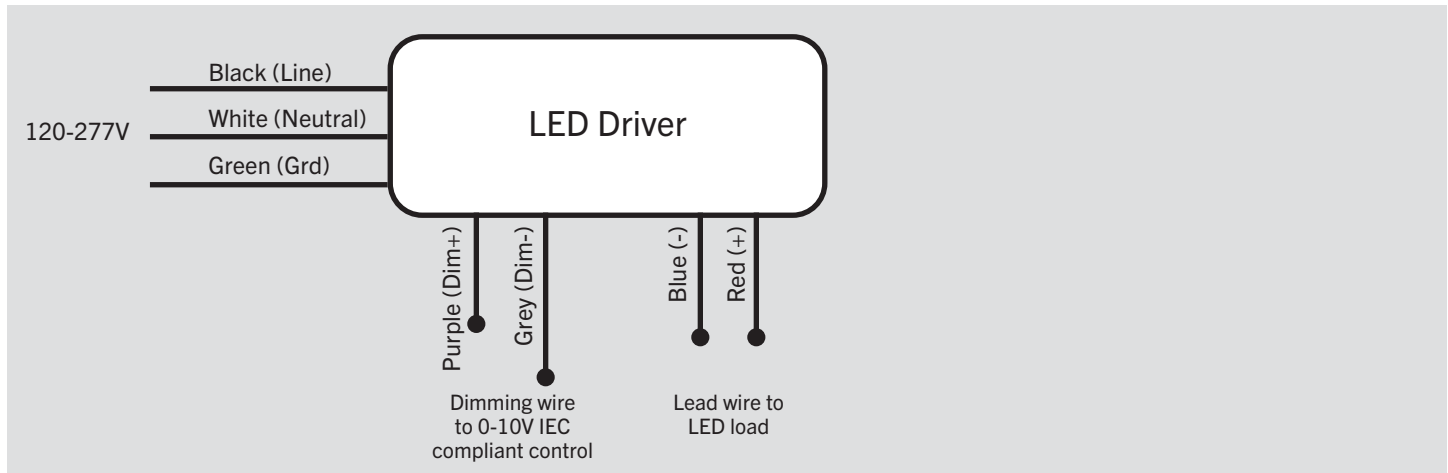
COMPONENTS INCLUDED IN KIT

Part	Quantity
LED linear high bay	1
Mounting hardware	1
Instruction sheet	1

Caution: Before installing, make certain that AC power to the fixture is off.

GENERAL SETUP INSTRUCTIONS

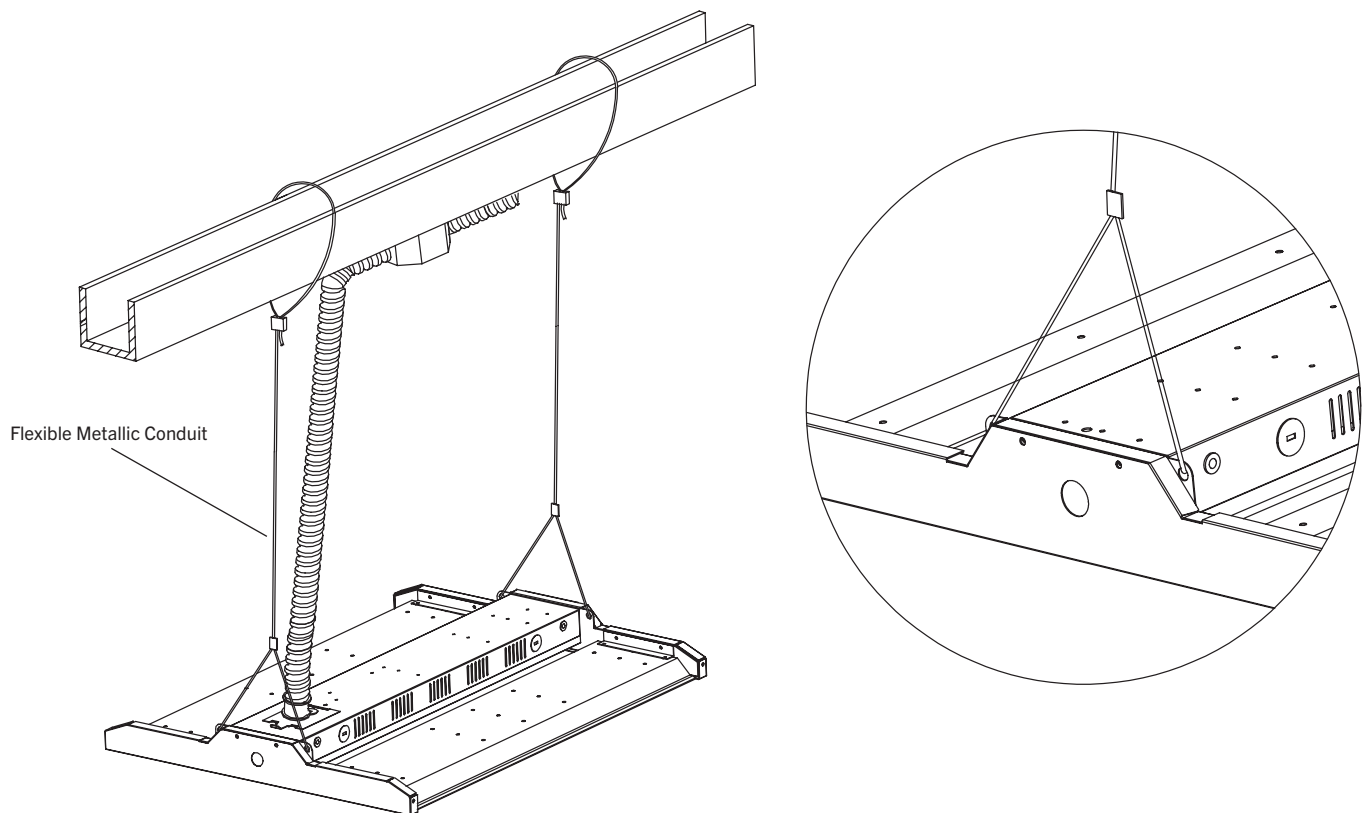
WIRING DIAGRAM



INSTALLATION INSTRUCTIONS

HANGING CABLE INSTALLATION

1. Connect cable to support
2. Connect cable to fixture body using holes on fixture.
3. Adjust cable height and balance as needed.
4. Choose suitable wiring knorckout and perform wiring according to local and national electrical codes.

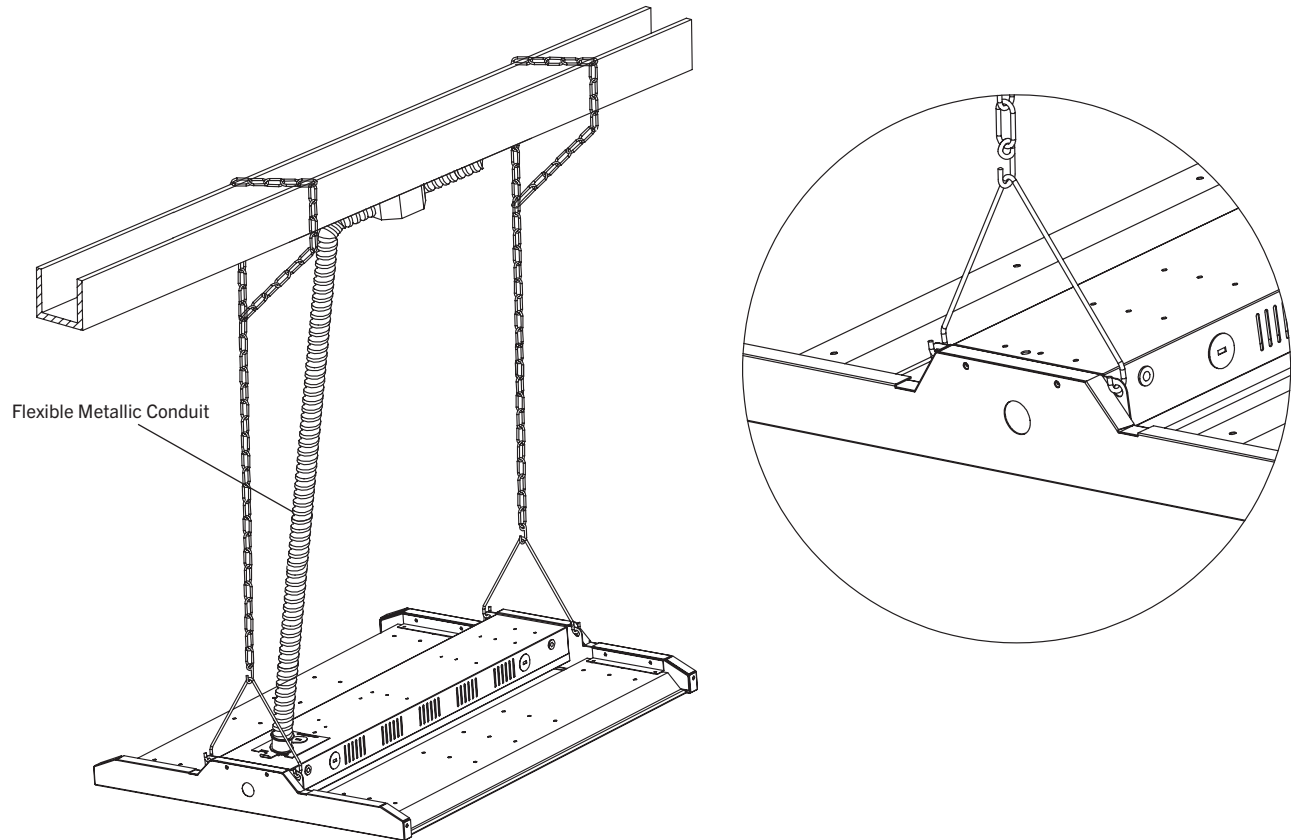


(Installation Instructions continued on next page)

INSTALLATION INSTRUCTIONS

HANGING CHAIN INSTALLATION

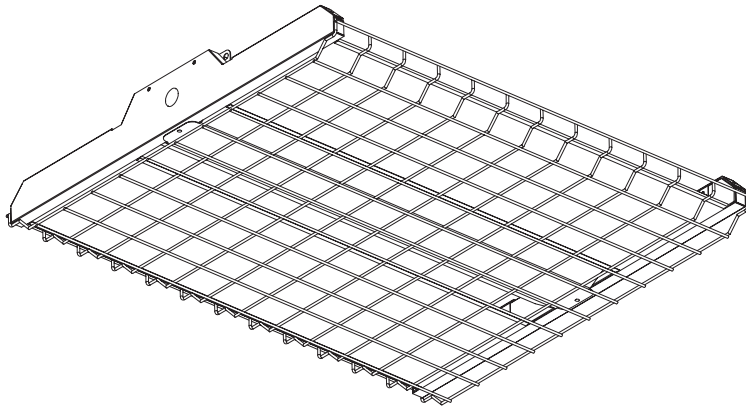
1. Connect chains to support.
2. Connect chains and v-hooks to fixture body.
3. Adjust chain height as needed.
4. Choose suitable wiring knockout and rerform wiring according to local and national electrical codes.



WIRE GUARD INSTALLATION

Purchase the correct size wire guard from manufacturer.

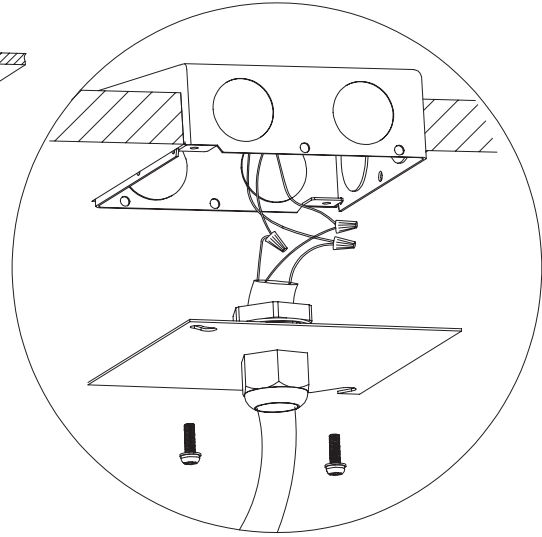
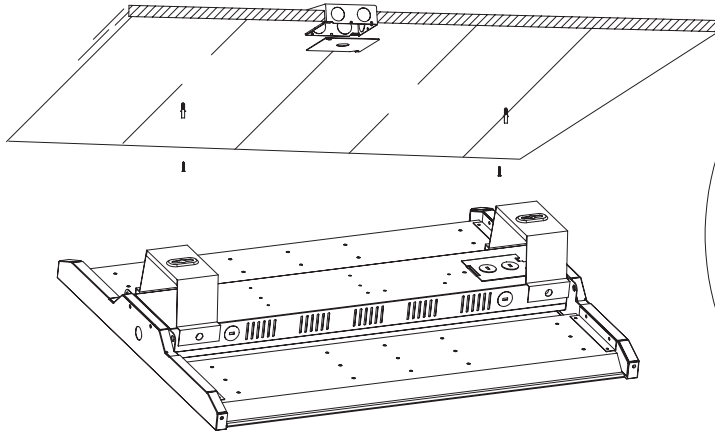
1. Mount the wire guard on the fixture with screws.



(Installation Instructions continued on next page)

INSTALLATION INSTRUCTIONS (continued)**SURFACE MOUNT INSTALLATION**

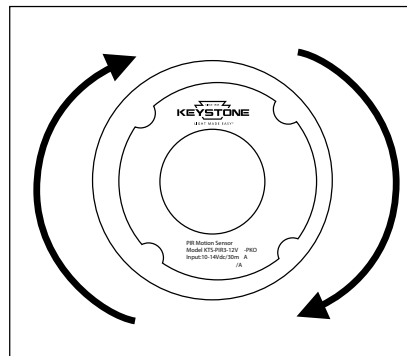
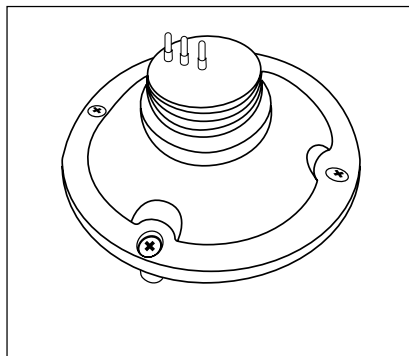
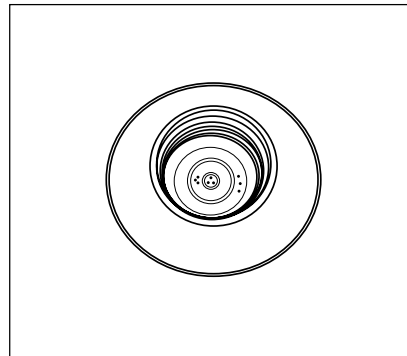
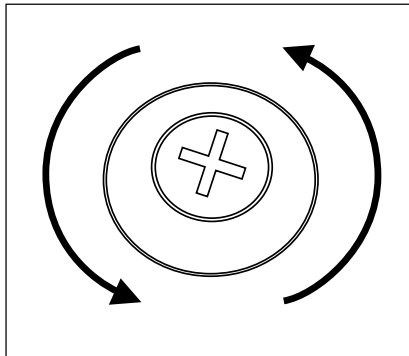
1. Mount bracket to ceiling.
2. Connect brackets to fixture.
3. Choose suitable wiring knockout and perform wiring according to local and national electrical codes.

**OCCUPANCY SENSORS**

1. Ensure power is off to the fixture.
2. Using a screwdriver, unscrew the 1/2" knockout.
3. Screw in device by hand. Device may include gaskets or washers to help prevent over tightening. If included, select the the gasket or washer that minimizes or eliminates gaps between the fixture and device.

CAUTION! Do not over tighten. Over tightening the device will damage the device and/or fixture.

(see illustrations below)



(Installation Instructions continued on next page)

INSTALLATION INSTRUCTIONS (continued)**OCCUPANCY SENSORS****MICROWAVE OCCUPANCY SENSOR**

(Sold separately)

Catalog Number	Description	UPC	Easy Code
KTS-MW3-12V-PKO /A	High Bay Microwave Occupancy Sensor with /A pre-set settings	843654133317	XYR-25
KTS-MW3-12V-PKO /B	High Bay Microwave Occupancy Sensor with /B pre-set settings	843654133324	SPF-37

PASSIVE INFRARED (PIR) OCCUPANCY SENSOR

(Sold separately)

Catalog Number	Description	UPC	Easy Code
KTS-PIR3-12V-PKO /A	High Bay Passive Infrared (PIR) Occupancy Sensor with /A pre-set settings	843654133638	RXQ-30
KTS-PIR3-12V-PKO /B	High Bay Passive Infrared (PIR) Occupancy Sensor with /B pre-set settings	843654133645	LEF-34

SAVE THESE INSTRUCTIONS