



# KT-EMRG-LED-12LT-1200-EN /DF

## CONSTANT WATTAGE LED EMERGENCY BACK-UP

### DESCRIPTION

LED Emergency Back-Up Driver | Dual Flex Conduit | 12W Output | 120-277V Input



<b>DRIVER TYPE:</b> Constant Wattage LED Emergency
<b>MAX. OUTPUT POWER:</b> 12W
<b>INPUT VOLTAGE:</b> 120-277Vac ±10%
<b>OUTPUT VOLTAGE:</b> 20-60Vdc
<b>OUTPUT CURRENT:</b> 600~206mA
<b>WARRANTY:</b> 5 Years



### PRODUCT FEATURES

- Operating temperature: -20°C/-4°F to 55°C/122°F
- Built in heater for low temperature operation
- Drives LED loads at 12W (nominal) for a minimum of 90 minutes
- Meets FCC Part 15 (Class B) consumer limits
- Short circuit overload and open load protection
- Suitable for dry and damp locations
- Evaluated to UL 924 standards
- Class 2 output
- Input frequency: 50/60 Hz
- Test switch/Charging indicator light and wall plate included
- Battery capacity: 3000mAh; LiFePO4
- Dual flex conduit fits into ½" knockouts
- Listed for field or factory installation: UL 924 and CSA C22.2 no. 141 emergency lighting compliant

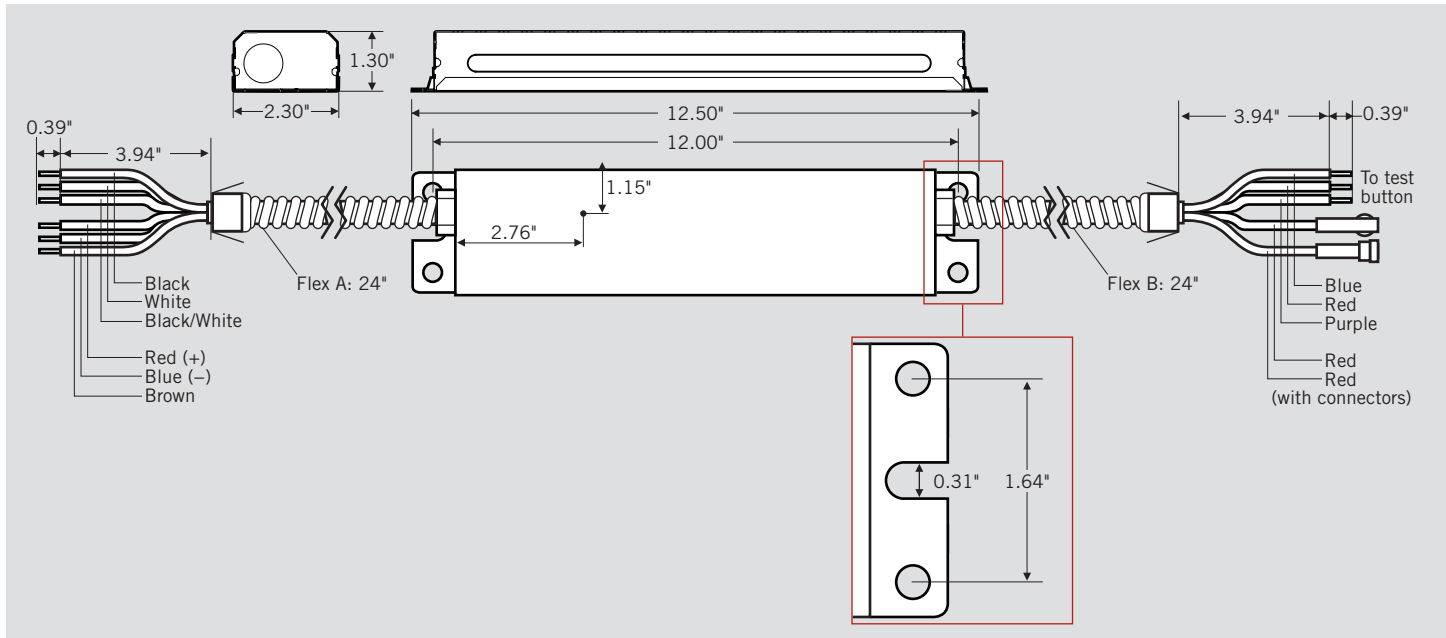
*Emergency Pack does not meet CEC T20 requirements. Not to be sold or offered for sale in California, except when sold wholesale in California for final retail sale outside the state.*

### ELECTRICAL SPECIFICATIONS

Family	INPUT CHARACTERISTICS				OUTPUT CHARACTERISTICS		
	Input Voltage	Power Factor	Max. Current Internal Heater On	Max. Current Internal Heater Off	Max. Output Power	Rated Output Current	Output Voltage
12W	120-277Vac	≥0.5	0.22A @ 120V 0.14A @240V 0.12A @277V	0.07A @120V 0.06A @240V 0.05A @277V	12W	600~206mA	20-60Vdc

*Emergency pack designed to deliver 12W to a constant current LED load. Approximate output is 1200 lumens, assuming a nominal minimum efficacy of 100 lm/W.*

### PHYSICAL SPECIFICATIONS

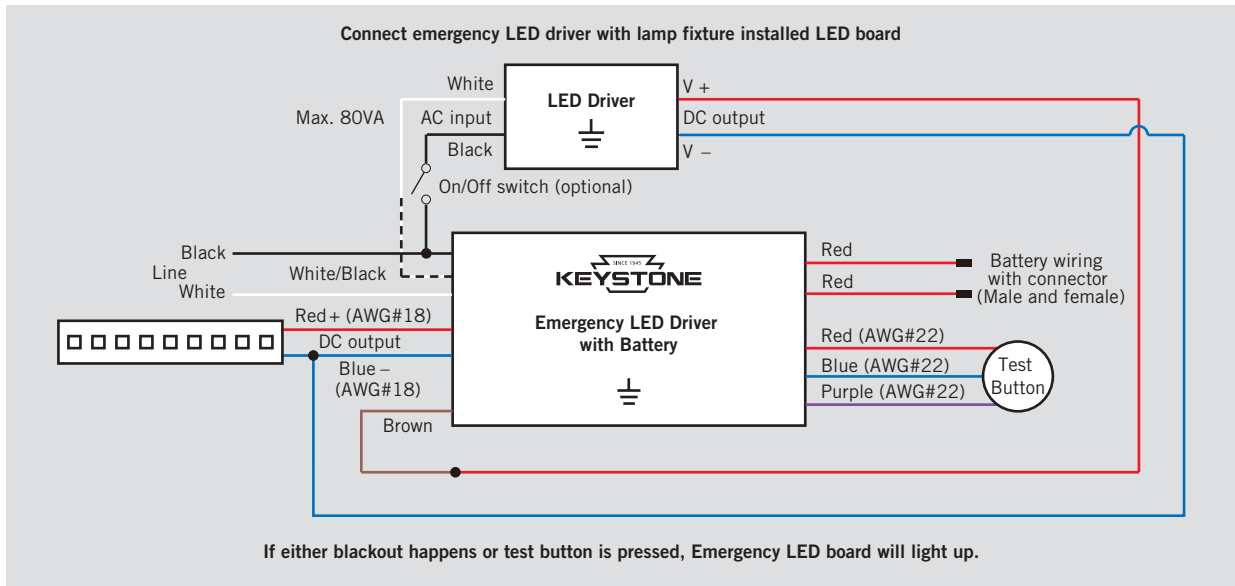
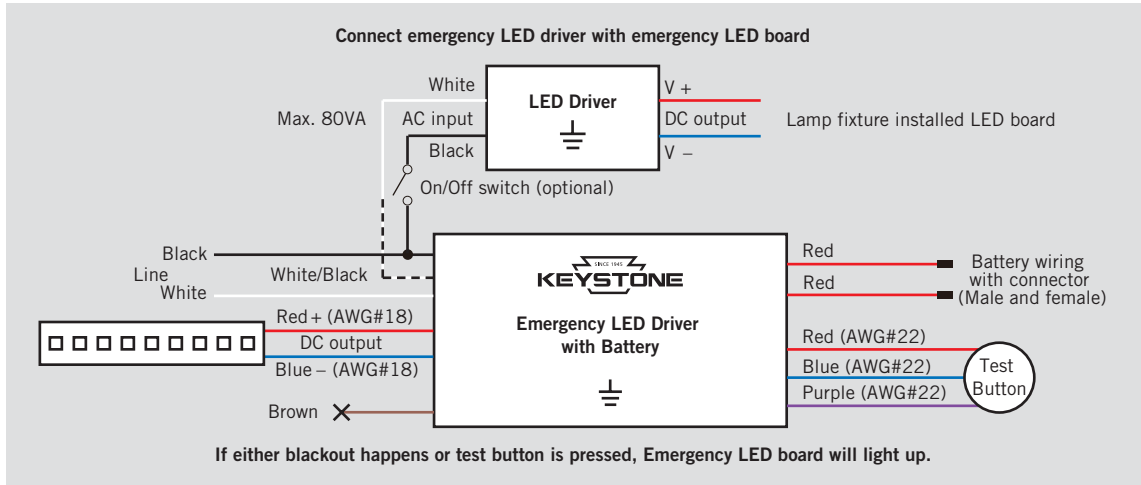




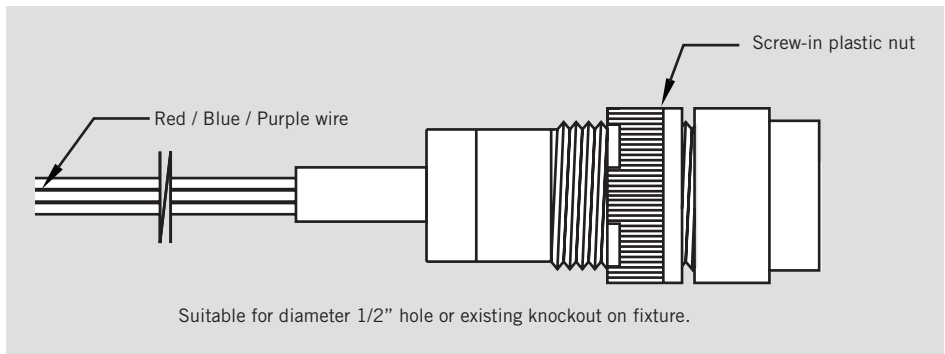
# KT-EMRG-LED-12LT-1200-EN /DF

## CONSTANT WATTAGE LED EMERGENCY BACK-UP

### WIRING SPECIFICATIONS



### TEST SWITCH SPECIFICATIONS





# KT-EMRG-LED-12LT-1200-EN /DF

## CONSTANT WATTAGE LED EMERGENCY BACK-UP

### ORDERING INFORMATION

ORDER CODE	DESCRIPTION	PACKAGING STYLE	PACK QUANTITY	ITEM STATUS
KT-EMRG-LED-12LT-1200-EN /DF-IP	1-Piece LED Emergency Back-up with Dual Flex Conduit	Individually Packaged	1	Active

### CATALOG NUMBER BREAKDOWN

# KT-EMRG-LED-12LT-1200-EN /DF-IP

1 2 3 4 5 6 7 8 9

- 1 Keystone Technologies
- 2 Emergency Back-up Driver
- 3 LED Driver
- 4 Wattage Family
- 5 Low Temperature
- 6 Nominal Lumen Output
- 7 1-Piece Enclosure
- 8 Dual Flex Conduit
- 9 Packaging Style