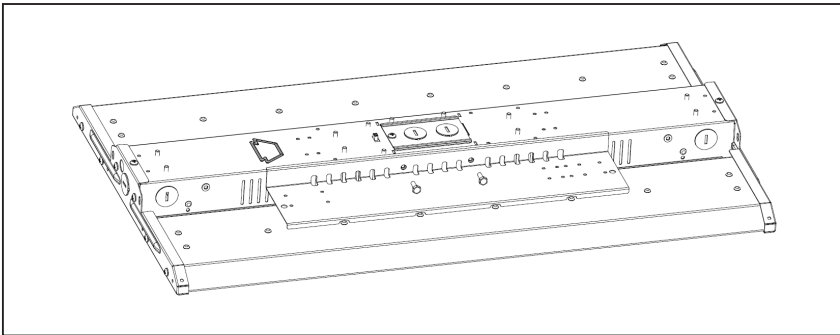


INSTALLATION AND OPERATING INSTRUCTIONS

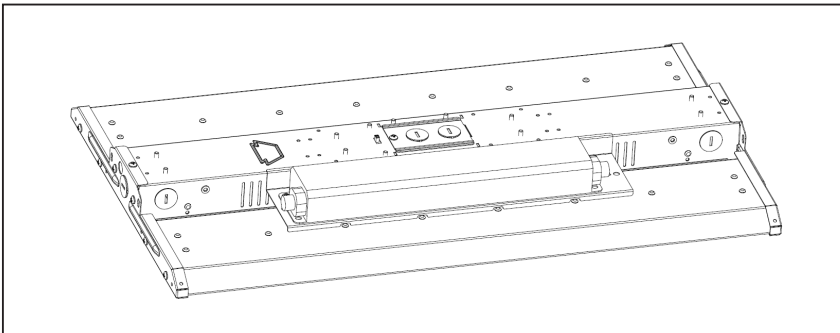
CAT. NO. KT-HBLE-EM-BR-1B-KIT

ADDITIONAL ACCESSORIES Emergency LED Backup Mounting Instructions

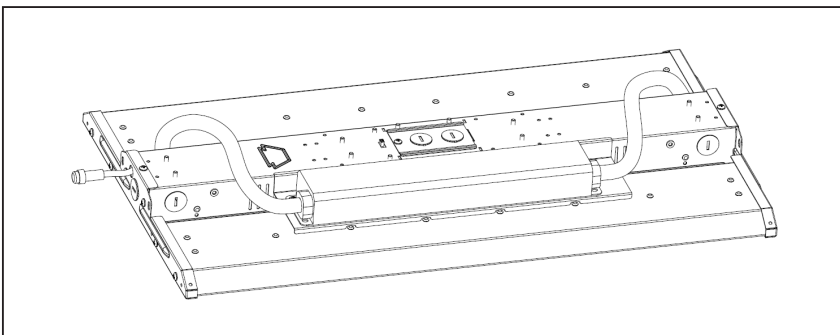
STEP 1. Mount the bracket on the fixture using included bolts and lock washers.



STEP 2. Attach emergency driver to the bracket.



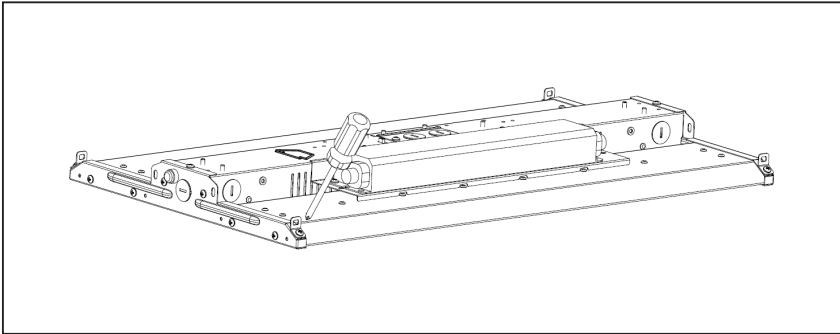
STEP 3. Put the metal clad cables through KO's on the fixture. Open the fixture and connect the emergency driver per the wiring instructions included with the emergency driver.



INSTALLATION AND OPERATING INSTRUCTIONS

CAT. NO. KT-HBLED-EM-BR-1B-KIT

STEP 4. Attach the small brackets in the accessory kit onto the 4 corners of the fixture.



STEP 5. Attach the hanging cables to the small brackets to balance the product, installation is complete.

