



ALUMAGROOVE®

KTAG-22L-700-28-8XX-RJ /G2 HIGH EFFICACY LINEAR LED MODULE

DESCRIPTION

High efficacy linear LED modules pre-mounted into aluminum extrusion via a patented manufacturing method, 22" Long.



RoHS Compliant

5 YEAR WARRANTY

MODULE TYPE: Linear
MAX MODULE POWER: 20W
MAX DRIVE CURRENT: 700mA
COLOR RENDERING INDEX (CRI): >80
RECOMMENDED WIRING: Parallel Connection
WARRANTY: 5 Years

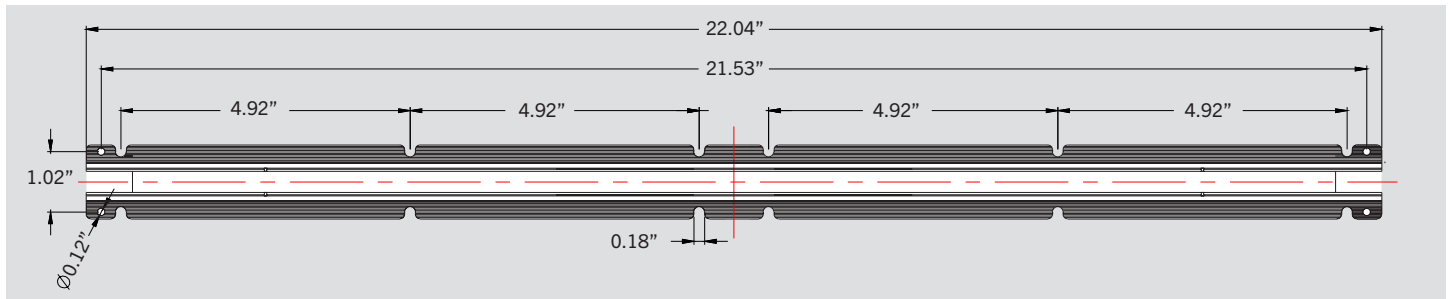


PRODUCT FEATURES

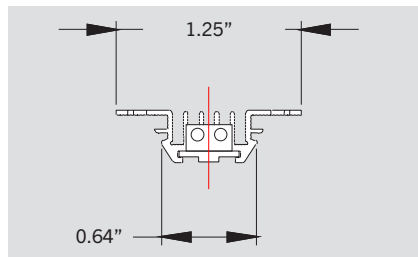
- For use in class 2 lighting systems only
- High lumen density design, approx 1650 lm/ft
- Optional lens accessory
- Completely heat sunked, no additional heat sinking needed to maintain LED lifetime
- Low profile, push-in connectors
- Made with UL recognized components
- 3-Step color binning
- 2835 LED chip package
- Reported life expectancy: L70 >54,000 hours at 85C° | L90 48,000 hours at 85C°
- Calculated life expectancy: L70 > 160,000 hours at 85C° | L90 48,000 hours at 85C°
- Linkable in parallel with different length AlumaGroove modules

PHYSICAL SPECIFICATIONS

Top View



Side View



KTAG-22L-700-28-8XX-RJ /G2

HIGH EFFICACY LINEAR LED MODULE

PERFORMANCE SPECIFICATIONS

Drive Current mA	Volts	Watts	3000K				3500K				4000K				5000K			
			WITHOUT LENS		WITH LENS		WITHOUT LENS		WITH LENS		WITHOUT LENS		WITH LENS		WITHOUT LENS		WITH LENS	
			Flux	Efficacy lm/W	Flux	Efficacy lm/W	Flux	Efficacy lm/W	Flux	Efficacy lm/W	Flux	Efficacy	Flux	Efficacy lm/W	Flux	Efficacy	Flux	Efficacy lm/W
700	28	19.60	3179	156	2866	137	3285	162	2966	143	3362	168	3051	148	3357	165	3034	146
660	28	18.48	2994	158	2698	138	3084	163	2793	144	3178	169	2879	149	3162	167	2859	147
620	28	17.36	2823	159	2541	140	2909	165	2637	145	2995	171	2716	151	2982	168	2696	148
580	28	16.24	2651	161	2388	141	2734	167	2479	147	2816	173	2554	153	2802	170	2534	150
540	28	15.12	2475	163	2233	143	2559	168	2319	149	2634	175	2390	155	2617	172	2370	152
500	28	14.00	2303	165	2079	145	2381	170	2157	151	2453	177	2224	156	2436	174	2205	154
460	28	12.88	2130	167	1929	147	2202	172	1995	152	2268	179	2058	158	2253	176	2043	156
420	28	11.76	1955	169	1770	149	2022	175	1832	154	2081	181	1884	160	2066	178	1874	158
380	28	10.64	1779	171	1606	151	1840	177	1663	156	1895	183	1715	162	1880	180	1702	160
340	28	9.52	1600	173	1447	153	1656	179	1498	158	1705	186	1545	164	1692	183	1533	162
300	28	8.40	1419	175	1284	155	1469	181	1329	160	1514	188	1372	167	1501	185	1361	164
260	28	7.28	1237	178	1120	157	1281	184	1160	163	1319	191	1198	169	1307	187	1187	166
220	28	6.16	1052	180	951	159	1089	186	985	165	1123	193	1017	171	1112	190	1010	169
180	28	5.04	865	183	783	162	896	189	812	167	925	196	836	174	914	192	829	171
140	28	3.92	676	185	610	164	700	191	632	169	723	199	654	176	713	195	647	173
100	28	2.80	484	188	437	166	501	194	453	172	519	202	470	179	511	197	463	175

* Nominal Values Shown. Actual Values May Vary Based on Tolerances and Ambient Temperature.

Circuit Layout	
No. of LED's in Series	No. of LED's in Parallel
10	8

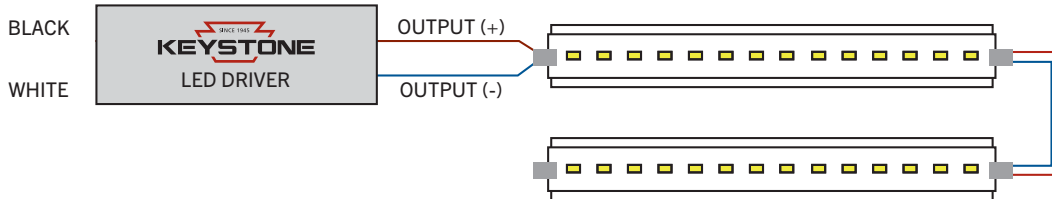
ACCESSORIES

Lens	KTAG-22L-LENS*

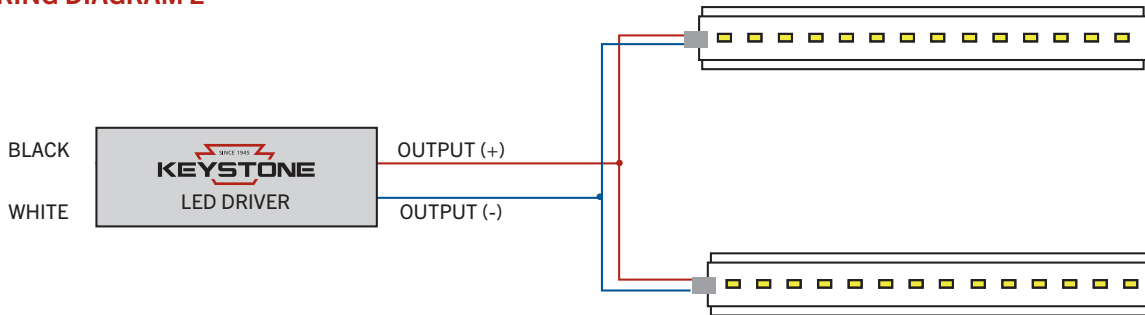
*Polycarbonate, Flammability Rating V-2

KTAG-22L-700-28-8XX-RJ /G2
HIGH EFFICACY LINEAR LED MODULE

WIRING DIAGRAM 1*



WIRING DIAGRAM 2*



* Not to exceed a total of 8' total length for end-to-end parallel connections and not to exceed 2A input into any one connector.

ORDERING INFORMATION

Catalog Number	Easy Code	UPC
KTAG-22L-700-28-830-RJ /G2	AJM-03	843654140261
KTAG-22L-700-28-835-RJ /G2	WTO-20	843654140278
KTAG-22L-700-28-840-RJ /G2	DDH-31	843654140285
KTAG-22L-700-28-850-RJ /G2	OIE-02	843654140292

CATALOG NUMBER BREAKDOWN

KTAG-22L-700-28-8XX-RJ /G2

1 **2** **3** **4** **5** **6** **7** **8**

- 1** Keystone Technologies AlumaGroove
- 2** Nominal Length
- 3** Max. Drive Current
- 4** Nominal Forward Voltage
- 5** 80 CRI
- 6** Color Temperature
- 7** Rear-Junction Connection
- 8** Second Generation