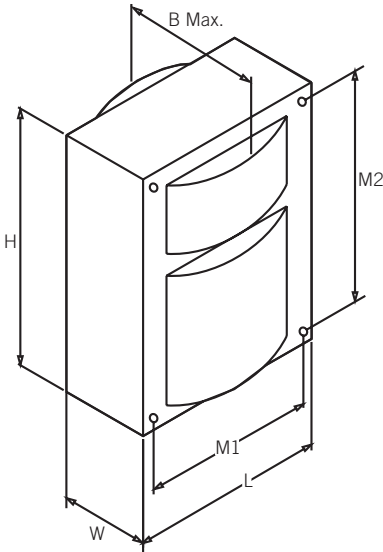




## CASE STYLE/DIMENSIONS



### OVERALL DIMENSIONS

LENGTH: 2.81"
WIDTH: 3.07"
HEIGHT: 3.94"
B MAX: 4.85"

### MOUNTING HOLES

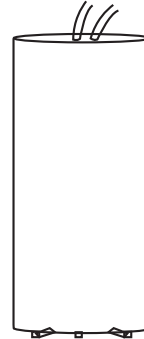
DIAMETER: 0.25"
M1: 2.44"
M2: 3.50"

### BRACKET DIMENSIONS

LENGTH: 5.50"
WIDTH: 1.18"

**LEAD LENGTH:** 12-14"

**BALLAST NET WEIGHT:** 9.35 lbs



### CAPACITOR INFO

WATTAGE: 175
MICROFARAD: 11
VOLTAGE: 370V
TYPE: Dry Film



### IGNITOR INFO

LAMP TYPE: Pulse Start Metal Halide
WATTAGE: 175
TYPE:

## ORDERING INFORMATION

ORDER CODE	PACKAGING STYLE	PACK QTY.	ITEM STATUS
MPS-175A-P-KIT		1	Quick Ship
*Kit Includes: Pre-Wired Ballast, Capacitor, Ignitor, Mounting Brackets, Mounting Hardware			

## CATALOG NUMBER BREAKDOWN

# MPS-175A-P-KIT

