



DIRECT DRIVE LED

LINE VOLTAGE T5 TUBES

KT-LED13T5HE-48GC-8XX-D

T5 LED LAMP

DESCRIPTION

13W T5 LED | 3500–6500K | > 80 CRI | High-Efficiency



LAMP TYPE: Linear
BULB TYPE: T5 LED
BASE TYPE: G5 (Miniature Bi-Pin)
WATTAGE: 13W
COLOR TEMPERATURE: 3500–6500K
COLOR RENDERING INDEX (CRI): > 80
WARRANTY: 5 Years



PRODUCT FEATURES

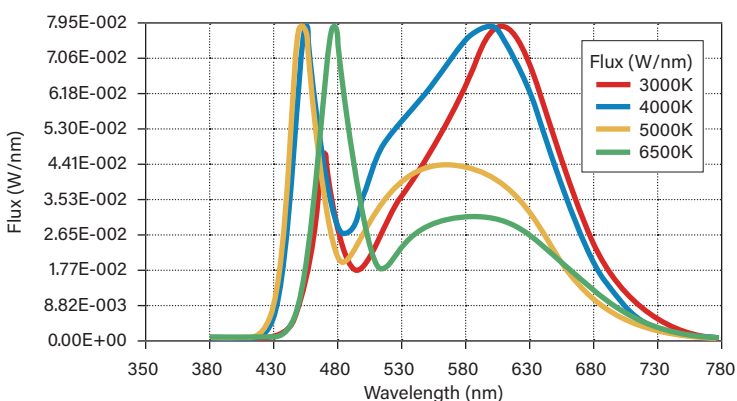
- Replacement for conventional fluorescent lamp
- 50,000+ hour lifetime
- Environmentally friendly: No mercury used
- Instant startup
- Direct replacement for F28T5 fluorescent lamp
- Frosted lens eliminates pixelation
- Listed on DLC QPL
- UL Classified
- Operating temperature: -20°C/-4°F to 45°C/113°F
- Integral driver (isolated) eliminates the need for external driver or ballast
- 120+ Lumens per Watt
- Improved Lamp Durability with Shatterproof Coated Glass, designed to pass drop tests of 6' on hard surface
- ETL Sanitation listed NSF/ANSI Standard 2—Food Equipment
- Lamp is dimmable when used with an appropriate dimming accessory (purchased separately). Contact Keystone for more details to find out what is best for the intended application.

ELECTRICAL AND PERFORMANCE SPECIFICATIONS

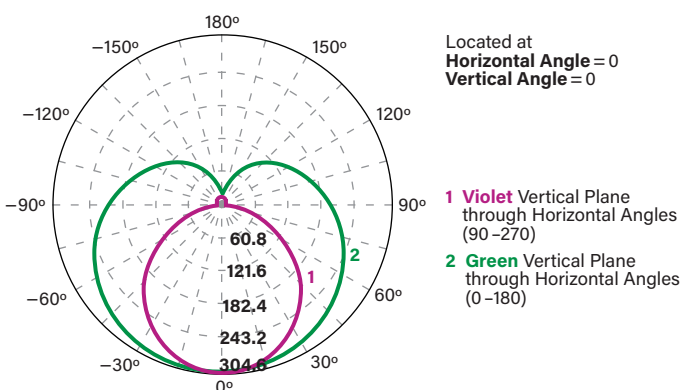
Catalog Number	Input Voltage	Power Consumption	Color Temperature (CCT)	Luminous Flux	Efficacy	Beam Angle	Visible Light Area	Power Factor	Input Current	Rated Life
KT-LED13T5HE-48GC-835-D	120–277 Vac	13W	3500K	1450 lm	120 lm/W	240°	325°	>0.9	0.11A @ 120V 0.05A @ 277V	L70 (Hours) 50,000
KT-LED13T5HE-48GC-840-D			4000K	1500 lm	125 lm/W					
KT-LED13T5HE-48GC-850-D			5000K	1550 lm	129 lm/W					
KT-LED13T5HE-48GC-865-D			6500K	1300 lm	108 lm/W					

PHOTOMETRIC SPECIFICATIONS

SPECTRAL DISTRIBUTION



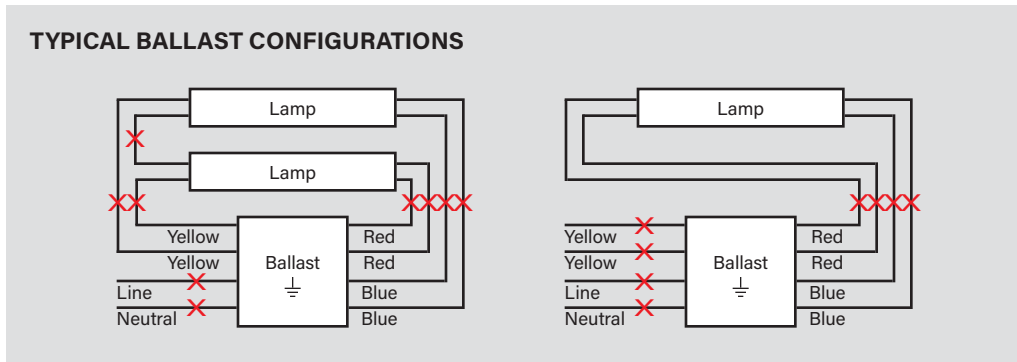
POLAR CANDELA DISTRIBUTION



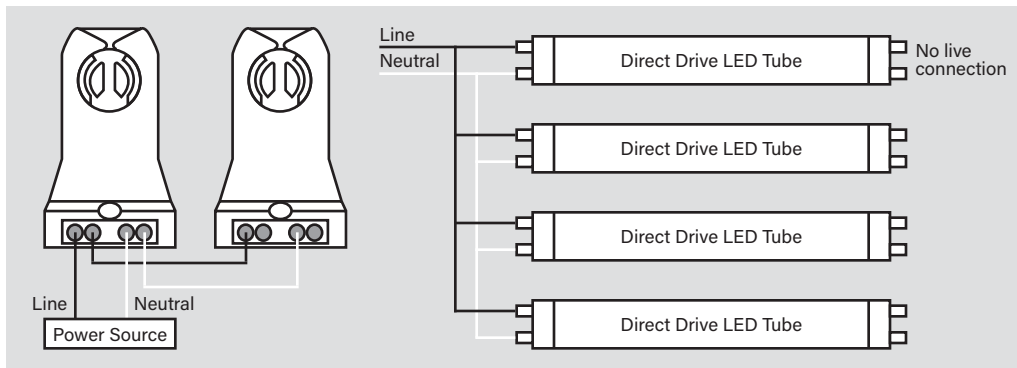
KT-LED13T5HE-48GC-8XX-D
T5 LED LAMP

WIRING DIAGRAM

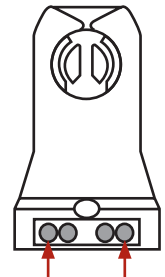
1. Cut all existing connections to ballast as shown below and remove ballast.



2. Rewire fixture as shown below.



TYPICAL NON-SHUNTED LAMPHOLDER

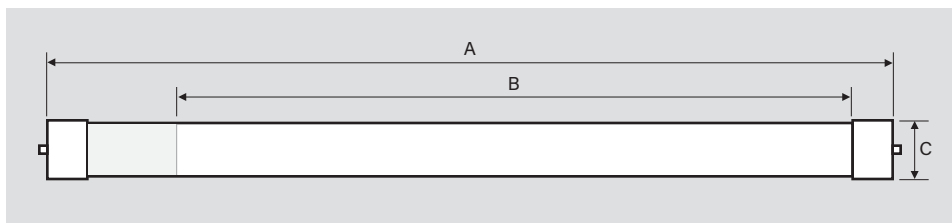


Connect wires directly to these terminals

CAUTION: USE ONLY NON-SHUNTED LAMPHOLDERS.

Do not install product in a fixture with shunted lampholders (found in all fixtures using instant start ballasts). If the current lampholders are shunted, remove them and replace them with non-shunted lampholders. Make new connections directly to terminals as indicated above. Keystone can provide any style replacement lampholders. Call us at 800-464-2680.

PHYSICAL SPECIFICATIONS



LAMP DIMENSIONS

A (Body Length)	45.19"
B (Illuminated Length)	41.38"
C (Diameter)*	0.82"

NOMINAL LENGTH: 48"

BASE TYPE: G5 (Miniature Bi-Pin)

**Though nominally referred to as a T5, this lamp has a T6 diameter.*



DIRECT DRIVE LED
LINE VOLTAGE T5 TUBES

KT-LED13T5HE-48GC-8XX-D

T5 LED LAMP

ORDERING INFORMATION

ORDER CODE	PACK QTY.	EASY CODE	UPC	DLC PRODUCT ID
KT-LED13T5HE-48GC-835-D	25	UOD-94	89094901603	PE69TQRN
KT-LED13T5HE-48GC-840-D	25	WWC-14	89094901604	P8BAU3NC
KT-LED13T5HE-48GC-850-D	25	VHW-79	89094901605	PS6BFWMT
KT-LED13T5HE-48GC-865-D	25	SJC-70	843654123462	TBD

CATALOG NUMBER BREAKDOWN

KT-LED13T5HE-48GC-8XX-D

1 2 3 4 5 6 7 8 9

- 1 Keystone Technologies
- 2 LED Lamp
- 3 Wattage
- 4 Lamp Type
- 5 Nominal Length (Inches)
- 6 Shatter-Proof Coated Glass
- 7 80 CRI
- 8 Color Temperature
- 9 Direct Drive Series