



KT-RDLED38PS-10A-9CSE-VDIM

10" RECESSED DOWNLIGHT

DESCRIPTION

10" Recessed Downlight | Power Select Technology | Color Select Technology | Internal Driver and Integral Whip

APPLICATION

Ideal for hospitality, retail, office, and other retrofit and new construction applications



10 YEAR
LIMITED WARRANTY

PRODUCT FEATURES

- Keystone Power Select and Color Select technologies offer SKU reduction and allow for easy, on-the-job adjustments
- Designed with integral whip to connect directly to a junction box; Ideal for installation into existing CFL pin-based fixture infrastructure
- Integral driver eliminates the need for a traditional multi-piece fixture setup
- Ideal for new construction, remodel, and retrofit applications
- Smooth reflector trim offers clean, modern appearance
- Diffused lens reduces glare
- Interchangeable trims available in matte black, brushed nickel, and bronze
- Powered by Keystone 0–10V dimming LED driver; 10–100% dimming
- Ambient operating temperature: –20°C/–4°F to 40°C/104°F
- Suitable for use in wet locations
- Airtight and Type IC-rated
- Power factor: >0.90
- THD: <20%
- LED chip lifetime: L70 >80,000 hrs @ 25°C/77°F ambient fixture temp
- FCC Part 15, Subpart B, Class B
- CEC Compliant Flicker Rate (CEC JA10 std.)

PERFORMANCE SPECIFICATIONS

Catalog Number	Input Voltage	Wattage (Selectable)	CCT (Selectable)*	Lumen Output	Efficacy	CRI	Power Factor	Lifetime
KT-RDLED38PS-10A-9CSE-VDIM	120–277V	37.5W	3000K	3100	83 lm/W	>90	>0.9	50,000 hrs
			3500K	3200	85 lm/W			
			4000K	3150	84 lm/W			
		29.5W	3000K	2450	83 lm/W			
			3500K	2550	86 lm/W			
			4000K	2500	85 lm/W			
		21W	3000K	1950	93 lm/W			
			3500K	2050	98 lm/W			
			4000K	2000	95 lm/W			

* Preset to highest CCT: 4000K
Color Uniformity: CCT (Correlated Color Temperature) range as per guidelines outlined in ANSI C78.377-2017

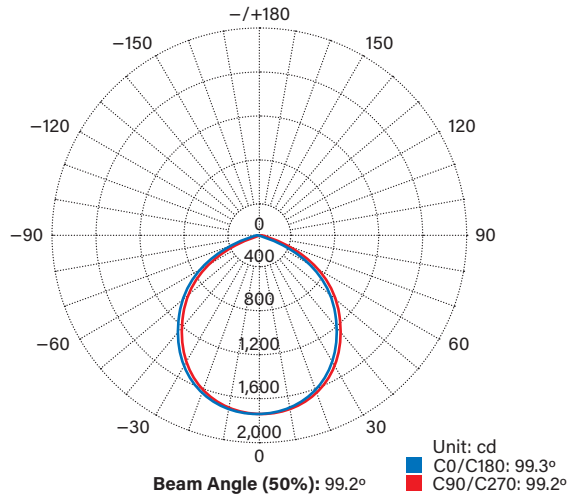


KT-RDLED38PS-10A-9CSE-VDIM

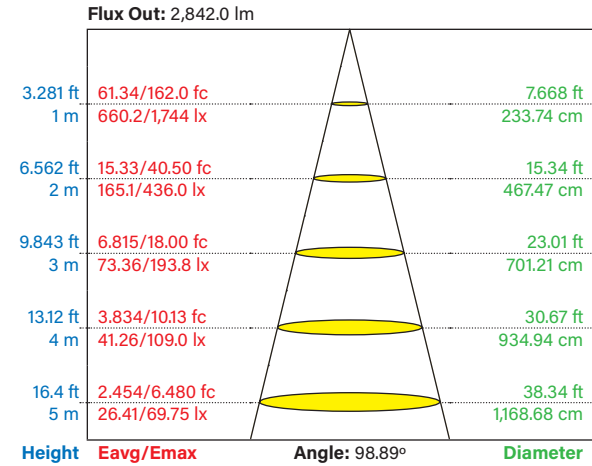
10" RECESSED DOWNLIGHT

PHOTOMETRIC SPECIFICATIONS*

POLAR CANDELA DISTRIBUTION

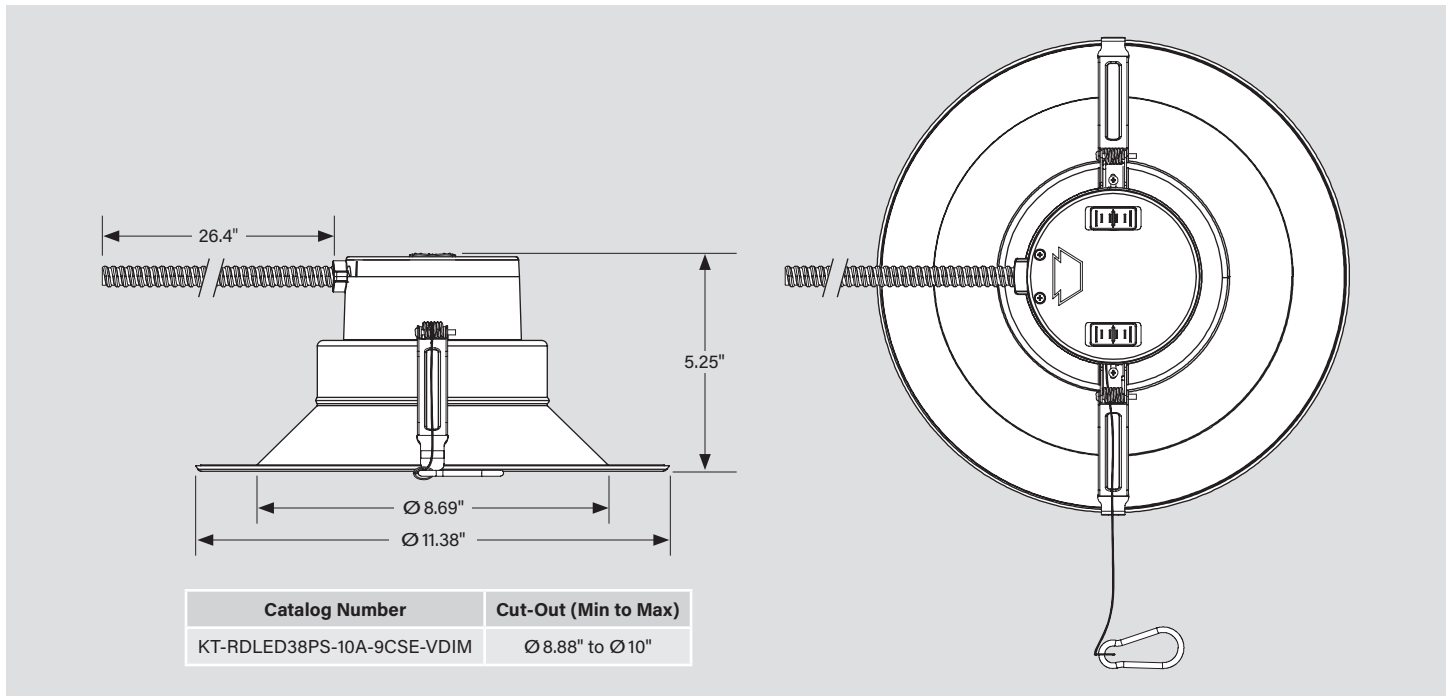


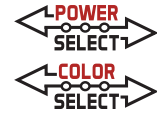
LUX DISTANCE CURVE



* Tested at 37.5W and 3000K

PHYSICAL SPECIFICATIONS





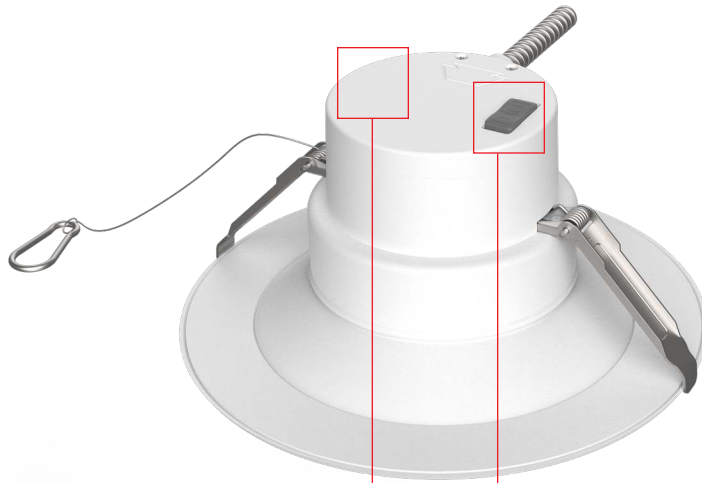
KT-RDLED38PS-10A-9CSE-VDIM

10" RECESSED DOWNLIGHT

POWER SELECT (WATTAGE) AND COLOR SELECT (CCT) ADJUSTMENT

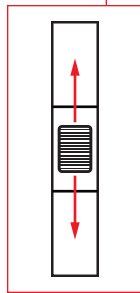
This fixture is equipped with field-adjustable Keystone Power Select and Color Select technology.

1. Ensure power is off to the fixture.
2. Adjust dip switches to desired settings.



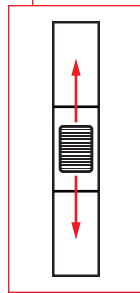
COLOR SELECT ADJUSTMENT SWITCH

Set dip switch to adjust CCT between 3000K, 3500K, and 4000K. Fixture comes preset at 4000K.

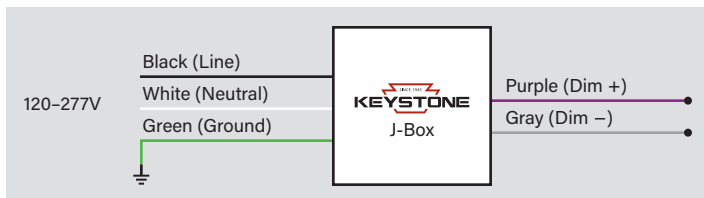


POWER SELECT ADJUSTMENT SWITCH

Set dip switch to adjust wattage between 21W, 29.5W, and 37.5W. Fixture comes preset at 37.5W.

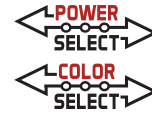


WIRING DIAGRAM





ADVANTA



KT-RDLED38PS-10A-9CSE-VDIM 10" RECESSED DOWNLIGHT

INSTALLATION INSTRUCTIONS

RETROFIT INSTALLATION

- 1. Shut off power at the source of the fixture housing into which you are installing fixture.**

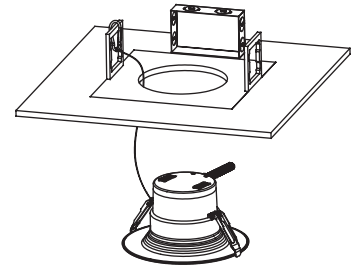
Remove existing trim and CFL or incandescent bulb.

Note: Follow all federal and local regulations when disposing of lamps and removed components.

- 2. Measure ceiling opening to ensure that the edge of the luminaire will cover the entire opening and still sit firmly in the ceiling (see Physical Specifications on page 2).**

- 3. Select desired Wattage and CCT using adjustment switches (see Power Select (Wattage) and Color Select (CCT) Adjustment on page 3).**

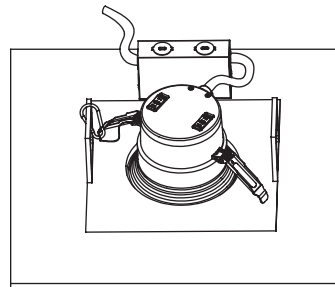
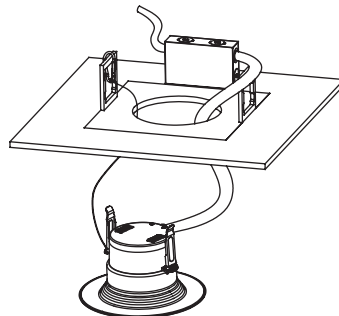
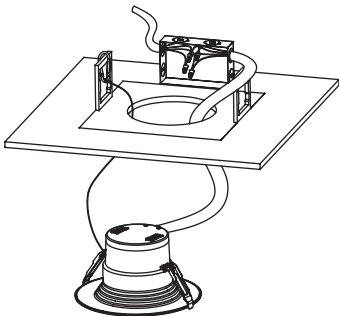
- 4. Attach carabiner safety clip to the existing fixture housing.**



- 5. Insert lamp conduit into J-box and wire to power source (see Wiring Diagram on page 3). Reattach J-box cover when done.**

- 6. Squeeze the two housing clips so they are in an upright position and then insert lamp into housing.**

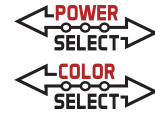
- 7. Once lamp is inside housing, release housing clips and continue to push lamp into housing until securely fixed and flush with ceiling. Restore power.**



(Installation Instructions continued on next page)



ADVANTA



KT-RDLED38PS-10A-9CSE-VDIM 10" RECESSED DOWNLIGHT

INSTALLATION INSTRUCTIONS (continued)

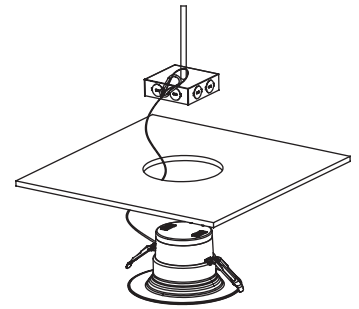
NEW-CONSTRUCTION INSTALLATION*

1. Shut off power at the source of the fixture housing into which you are installing fixture.

2. Create ceiling opening to ensure that the edge of the luminaire will cover the entire opening and still sit firmly in the ceiling (see Physical Specifications on page 2).

3. Select desired Wattage and CCT using adjustment switches on fixture (see Power Select (Wattage) and Color Select (CCT) Adjustment on page 3).

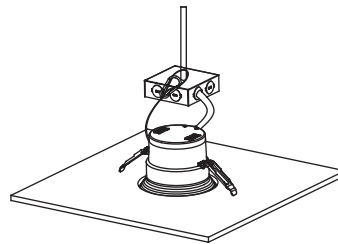
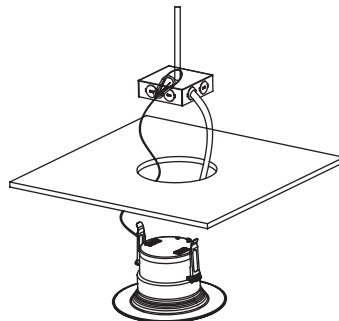
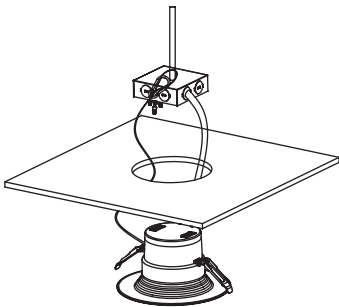
4. Attach carabiner safety clip to secure location in ceiling.



5. Insert lamp conduit into J-box and wire to power source (see Wiring Diagram on page 3). Reattach J-box cover when done.

6. Squeeze the two housing clips so they are in an upright position and then insert lamp into opening.

7. Once lamp is inside opening, release housing clips and continue to push lamp into opening until securely fixed and flush with ceiling. Restore power.



* Keystone offers optional New Construction Plate (KT-RDLED-PLATE-1) for both new joist and T-grid installations. See Optional Accessories (sold separately) on page 6.



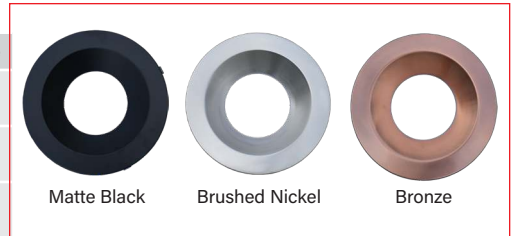
KT-RDLED38PS-10A-9CSE-VDIM

10" RECESSED DOWNLIGHT

OPTIONAL ACCESSORIES (sold separately)

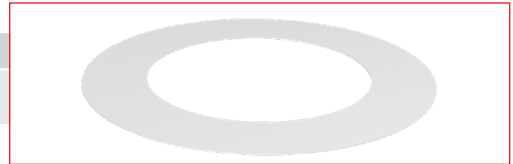
INTERCHANGEABLE TRIM

Catalog Number	Description	UPC	Easy Code
KT-RDLED-10A-MB-TRIM	10" Interchangeable trim for 10" recessed downlights; Matte black	843654137179	HWB-59
KT-RDLED-10A-BN-TRIM	10" Interchangeable trim for 10" recessed downlights; Brushed nickel	843654137209	NLB-18
KT-RDLED-10A-BR-TRIM	10" Interchangeable trim for 10" recessed downlights; Bronze	843654137230	KSN-09



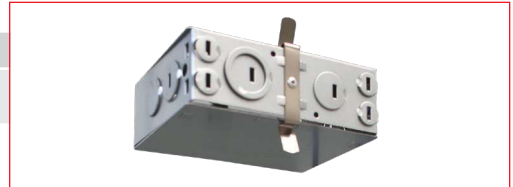
GOOF RING

Catalog Number	Description	UPC	Easy Code
KT-RDLED-10A-GOOF	10" Goof ring for 10" recessed downlights; 14.17" outer diameter	843654137261	XHZ-21



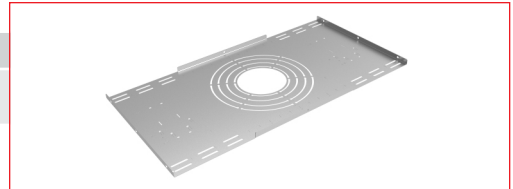
JUNCTION BOX

Catalog Number	Description	UPC	Easy Code
KT-RDLED-JBOX-1-KIT	Junction box for recessed downlights	843654137278	HJA-70



NEW-CONSTRUCTION PLATE

Catalog Number	Description	UPC	Easy Code
KT-RDLED-PLATE-1	New-construction plate for recessed downlights	843654137285	BMS-81



EMERGENCY PACK

Catalog Number	Description	UPC	Easy Code
KT-EMRG-LED-12-1200-AC / DF	LED Emergency Backup, 12W - 1200 Lumen Constant Power Design. 120-277V Input. Dual Flex Cable Design. Installs on Primary Side of AC Powered LED load.	843654139890	MPM-43





KT-RDLED38PS-10A-9CSE-VDIM

10" RECESSED DOWNLIGHT

ORDERING INFORMATION

Catalog Number	Pack Qty.	UPC	Easy Code
KT-RDLED38PS-10A-9CSE-VDIM	1	843654137131	JNU-88

CATALOG NUMBER BREAKDOWN

KT-RDLED38PS-10A-9CSE-VDIM

1
2
3
4
5
6
7
8
9
10
11

1 Keystone Technologies

2 Fixture Type

3 LED Technology

4 Maximum Wattage

5 Power Select Technology

6 Size

7 Style/Design Designation

8 CRI

9 Color Select Technology

10 Color Select Designation

11 Dimming

2 Fixture Type

RD	Recessed Downlight
----	--------------------

6 Size

10	10" Nominal
----	-------------

7 Style/Design Designation

A	Series A
---	----------

8 CRI

9	90
---	----

10 Color Select Designation

E	3000K, 3500K, 4000K
---	---------------------

11 Dimming

VDIM	0-10V Dimming
------	---------------