



KT-LED7T8-18GC-840-D

T8 LED LAMP

DESCRIPTION

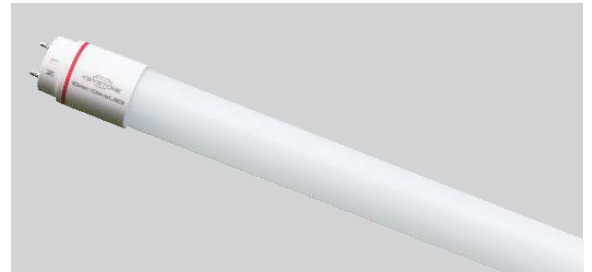
7W T8 LED | 4000K | >83 CRI | High Efficiency

Low Optical Flicker
Less Than 2%
Up to 400 Hz



10 YEAR
LIMITED WARRANTY

LAMP TYPE: Linear
BULB TYPE: T8 LED
BASE TYPE: G13 (Medium Bi-Pin)
WATTAGE: 7W
COLOR TEMPERATURE: 4000K
COLOR RENDERING INDEX (CRI): >83
WARRANTY: 10 Years



PRODUCT FEATURES

- Replacement for Conventional Fluorescent Lamp
- 50,000+ Hour Lifetime
- Environmentally Friendly: No Mercury Used
- Instant Startup
- Frosted Lens Eliminates Pixelation
- UL Classified
- Operating Temperature: -20°C/-4°F to 45°C/113°F
- Integral Driver (Isolated), Eliminates the Need for External Driver or Ballast
- 100+ Lumens per Watt
- Improved Lamp Durability with Shatterproof Coated Glass
- UL Flicker Free Design from date code 1910B
- Not for use in sealed / vapor tight fixtures

OPERATING SPECIFICATIONS

ELECTRICAL SPECIFICATIONS

Input Voltage	Power Consumption	Power Factor	THD	Input Current
120-277Vac	7W	>0.9	<20%	0.06A @ 120V 0.03A @ 277V

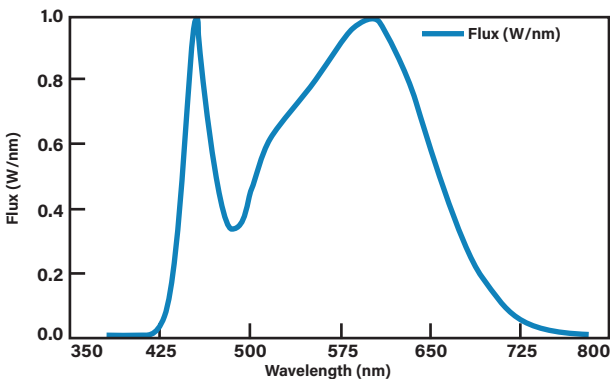
PHOTOMETRIC SPECIFICATIONS

Color Temperature (CCT)	4000K
Luminous Flux	750 lm
Color Rendering Index (CRI)	>83
Efficacy	107 lm/W
Beam Angle	240°
Visible Light Area	325°

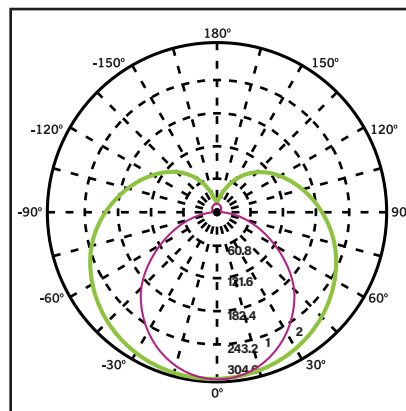
RATED LIFE

L70 (Hours)	50,000
-------------	--------

SPECTRAL DISTRIBUTION



POLAR CANDELA DISTRIBUTION



Maximum Candela = 1248.55
Located at Horizontal Angle = 0,
Vertical Angle 0

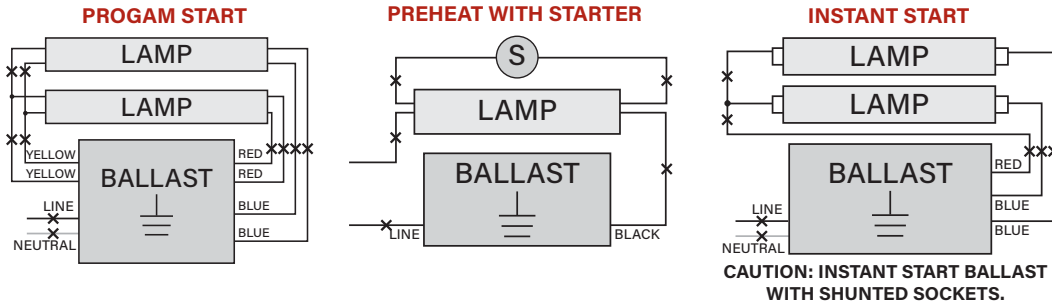
1. Violet Vertical Plane through Horizontal Angles (90-270)
2. Green Vertical Plane through Horizontal Angles (0-180)

KT-LED7T8-18GC-840-D
T8 LED LAMP

WIRING DIAGRAMS

1. Cut all existing connections to ballast as shown below and remove ballast.

Typical Ballast Configurations:



Typical Non-Shunted Lampholder

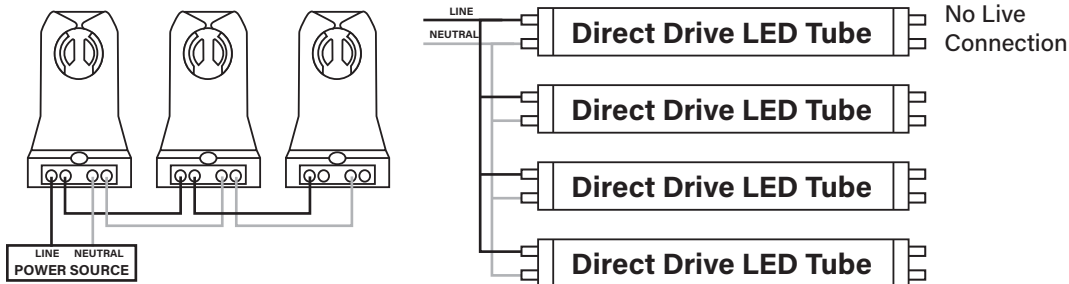
Connect wires directly to these terminals

CAUTION: Use only non-shunted lampholders.

Do not install product in a fixture with shunted lampholders (found in all fixtures using instant start ballasts). If the current lampholders are shunted, remove them and replace them with non-shunted lampholders. Make new connections directly to terminals as indicated above.

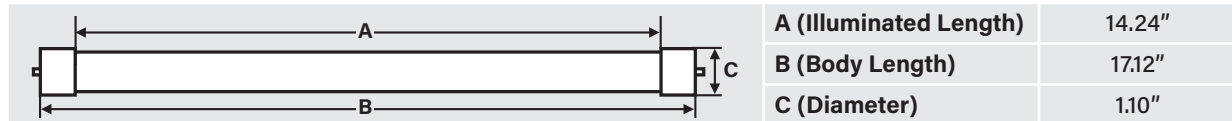
Keystone can provide any style replacement lampholders. Call us at 800-464-2680.

2. Re-wire fixture as shown below.



PHYSICAL SPECIFICATIONS

LAMP DIMENSIONS



NOMINAL LENGTH: 18" BASE TYPE: G13 (Medium Bi-Pin)

ORDERING INFORMATION

ORDER CODE	PACK QTY.	UPC	EASY CODE
KT-LED7T8-18GC-840-D-CP	25	890949007563	WZA-30

CATALOG NUMBER BREAKDOWN

KT-LED7T8-18GC-840-D-CP

- | | | |
|--------------------------------|-------------------------------------|------------------------------|
| 1 Keystone Technologies | 5 Nominal Length (Inches) | 9 Direct Drive Series |
| 2 LED Lamp | 6 Shatter-Proof Coated Glass | 10 Packaging Style |
| 3 Wattage | 7 80 CRI | |
| 4 Lamp Type | 8 Color Temperature | |