



# KT-LED7T8-18GC-840-D

## T8 LED LAMP

### DESCRIPTION

7W T8 LED | 4000K | >83 CRI | High Efficiency

Low Optical Flicker  
Less Than 2%  
Up to 400 Hz



**10 YEAR**  
LIMITED WARRANTY

<b>LAMP TYPE:</b> Linear
<b>BULB TYPE:</b> T8 LED
<b>BASE TYPE:</b> G13 (Medium Bi-Pin)
<b>WATTAGE:</b> 7W
<b>COLOR TEMPERATURE:</b> 4000K
<b>COLOR RENDERING INDEX (CRI):</b> >83
<b>WARRANTY:</b> 10 Years



### PRODUCT FEATURES

- Replacement for Conventional Fluorescent Lamp
- 50,000+ Hour Lifetime
- Environmentally Friendly: No Mercury Used
- Instant Startup
- Frosted Lens Eliminates Pixelation
- UL Classified
- Operating Temperature: -20°C/-4°F to 45°C/113°F
- Integral Driver (Isolated), Eliminates the Need for External Driver or Ballast
- 100+ Lumens per Watt
- Improved Lamp Durability with Shatterproof Coated Glass
- UL Flicker Free Design from date code 1910B

### OPERATING SPECIFICATIONS

#### ELECTRICAL SPECIFICATIONS

Input Voltage	Power Consumption	Power Factor	THD	Input Current
120-277Vac	7W	>0.9	<20%	0.06A @ 120V 0.03A @ 277V

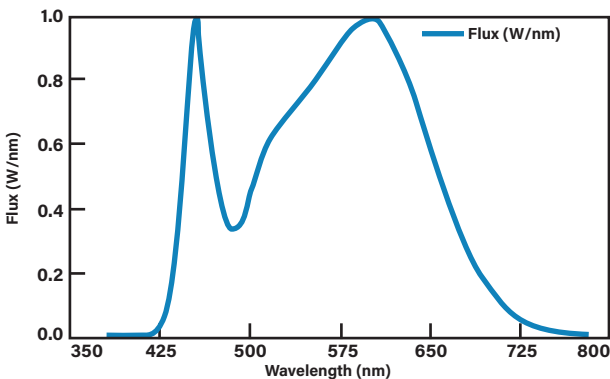
#### PHOTOMETRIC SPECIFICATIONS

Color Temperature (CCT)	4000K
Luminous Flux	750 lm
Color Rendering Index (CRI)	>83
Efficacy	107 lm/W
Beam Angle	240°
Visible Light Area	325°

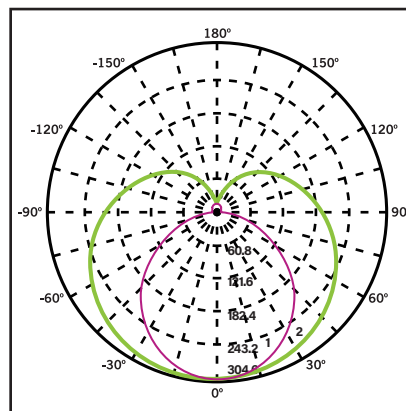
#### RATED LIFE

L70 (Hours)	50,000
-------------	--------

#### SPECTRAL DISTRIBUTION



#### POLAR CANDELA DISTRIBUTION



**Maximum Candela = 1248.55**  
Located at Horizontal Angle = 0,  
Vertical Angle 0

1. Violet Vertical Plane through Horizontal Angles (90-270)
2. Green Vertical Plane through Horizontal Angles (0-180)

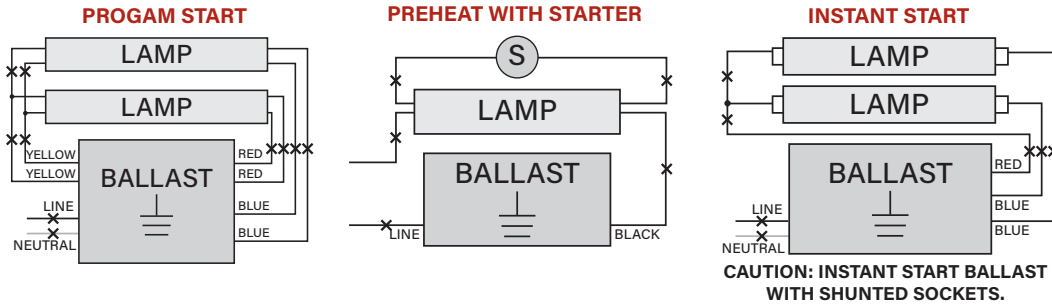
# KT-LED7T8-18GC-840-D

## T8 LED LAMP

### WIRING DIAGRAMS

1. Cut all existing connections to ballast as shown below and remove ballast.

#### Typical Ballast Configurations:



**Typical Non-Shunted Lampholder**

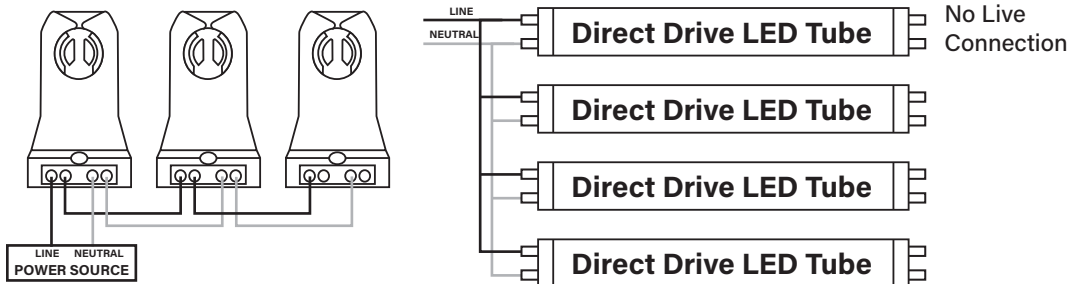
Connect wires directly to these terminals

**CAUTION: Use only non-shunted lampholders.**

Do not install product in a fixture with shunted lampholders (found in all fixtures using instant start ballasts). If the current lampholders are shunted, remove them and replace them with non-shunted lampholders. Make new connections directly to terminals as indicated above.

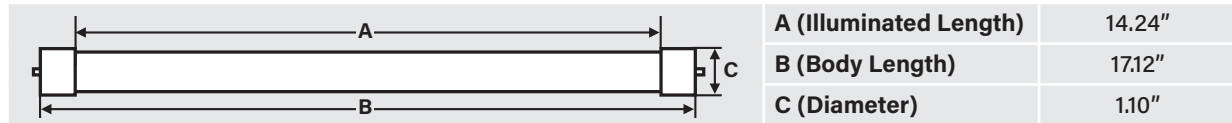
Keystone can provide any style replacement lampholders. Call us at 800-464-2680.

2. Re-wire fixture as shown below.



### PHYSICAL SPECIFICATIONS

#### LAMP DIMENSIONS



NOMINAL LENGTH: 18" BASE TYPE: G13 (Medium Bi-Pin)

### ORDERING INFORMATION

ORDER CODE	PACK QTY.	UPC	EASY CODE
KT-LED7T8-18GC-840-D-CP	25	890949007563	WZA-30

### CATALOG NUMBER BREAKDOWN

# KT-LED7T8-18GC-840-D-CP

- |                                |                                     |                              |
|--------------------------------|-------------------------------------|------------------------------|
| <b>1</b> Keystone Technologies | <b>5</b> Nominal Length (Inches)    | <b>9</b> Direct Drive Series |
| <b>2</b> LED Lamp              | <b>6</b> Shatter-Proof Coated Glass | <b>10</b> Packaging Style    |
| <b>3</b> Wattage               | <b>7</b> 80 CRI                     |                              |
| <b>4</b> Lamp Type             | <b>8</b> Color Temperature          |                              |