

LED HIGH BAY FIXTURE

KT-HBLED105PS-2FB-8CSD-VDIM-P / KT-HBLED215PS-2FB-8CSD-VDIM-P

INSTALLATION INSTRUCTIONS

PLEASE FIND A QUALIFIED ELECTRICIAN FOR INSTALLATION. Please read the instructions before you install and use the fixture.

APPLICATION

Used for commercial and industrial high bay lighting applications (including warehouses, factories, workshops, exhibition halls, gymnasiums, supermarkets, and other general area lighting requirements).

SAFETY AND ELECTRICAL PARAMETERS

Warning

- To reduce the risk of death, personal injury or property damage from fire, electric shock, falling parts, cuts/abrasions, and other hazards, read all warnings and instructions included with and or the fixture box and fixture labels.
- Before installing, servicing, or performing routine maintenance upon this equipment, follow these general precautions.
- Commercial installation, service, and maintenance of luminaires should be performed by a qualified licensed electrician.
- If you are unsure about the installation or maintenance of the luminaires, consult a qualified licensed electrician. **Please abide by all relevant country, regional and local code requirements and regulations when installing this luminaire.** Wiring must be in accordance with NEC and all applicable local codes.
- Do not make or alter any unnecessary holes in an enclosure of wiring or electrical components during the installation.

Warning

- Turn off electrical power at the fuse or circuit breaker box before wiring fixture to the pole/site/building power.
- Turn off the electrical power when you perform any maintenance.
- Verify that supply voltage is correct by comparing it with the luminaire label information. Do not install with supply voltage that exceeds the rated input voltage of the luminaire.
- All wiring connections should be capped with UL approved wire connectors.

Caution

- Avoid direct eye exposure to the light source while it is on.
- Account for small parts and destroy/recycle packaging material, as these may be hazardous to children.
- Risk of Burn. Disconnect power and allow fixture to cool before handling/servicing.

Notice

- All fixture installs must be properly grounded.
- Minimum of 90°C/194°F supply conductors.
- Specifications and dimensions subject to change without notice. Consult Keystone with any questions or concerns.
- Suitable for Dry and Damp locations.
- Ensure ambient operating temperature is maintained:
 - without sensor: –40°C/–40°F to 50°C/122°F
 - with sensor: –25°C/–13°F to 50°C/122°F
 Exceeding these temperature ranges will void warranty and may reduce lifetime or cause performance issues.

- Inspect fixture for any damages before installing. If there is any damage, please do not install and contact Keystone or authorized distributor for resolution.

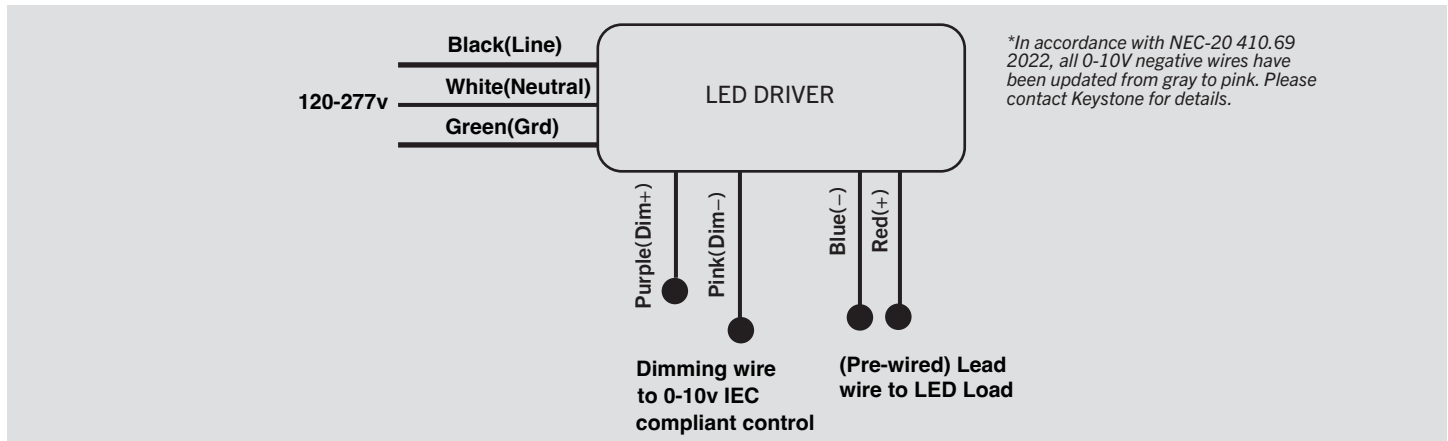
COMPONENTS INCLUDED IN KIT

Part	Quantity
LED high bay fixture	1
V-hooks and chains	2
Instruction sheet	1

Caution: Before installing, make certain that AC power to the fixture is off.

GENERAL SETUP INSTRUCTIONS

WIRING DIAGRAM



- All fixtures come pre-wired. Make input connections as needed and ensure connections are protected from exposure to the elements.
- Keystone LED high bay input voltage: 120–277V
- Ensure that input voltage on site matches the fixture you intend to install.

POWER SELECT (WATTAGE) AND COLOR SELECT (CCT) ADJUSTMENT

This fixture is equipped with Power Select and Color Select technology.

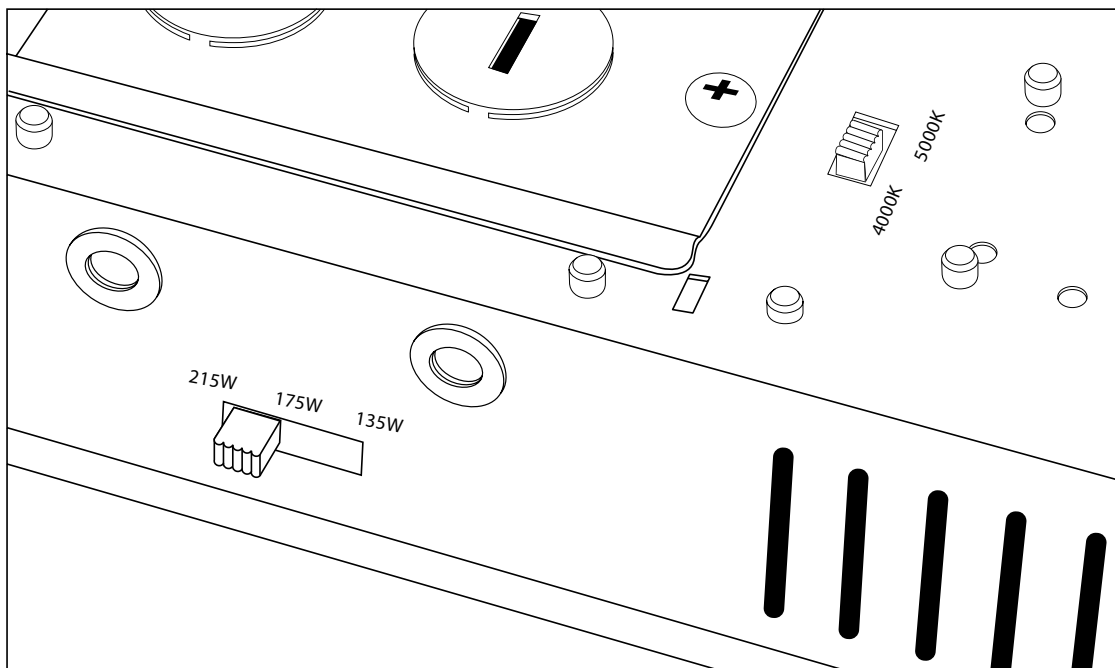
1. Ensure power is off to the fixture.
2. Adjust switches to desired settings (see illustration below)

Power Select Adjustment

Set dip switch to adjust power between 215W (3), 175W (2), and 135W (1) for fixtures preset at 215W. Or 105W (3), 90W (2), and 65W (1) for fixtures preset at 105W.

Color Select Adjustment

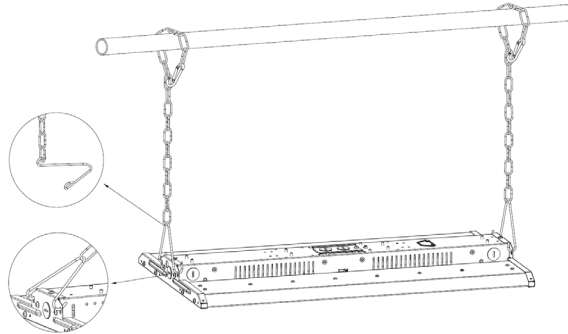
Set dip switch to adjust CCT between 5000K and 4000K. Fixture comes preset at 5000K.



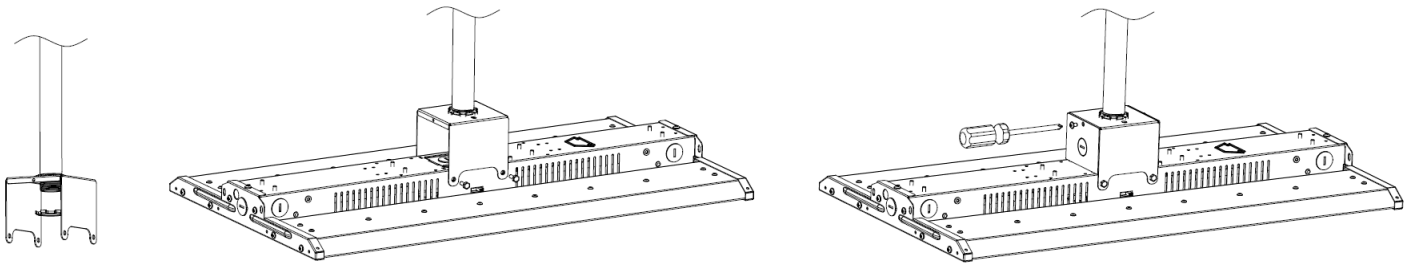
3. Re-connect power when ready.

INSTALLATION INSTRUCTIONS**HANGING INSTALLATION**

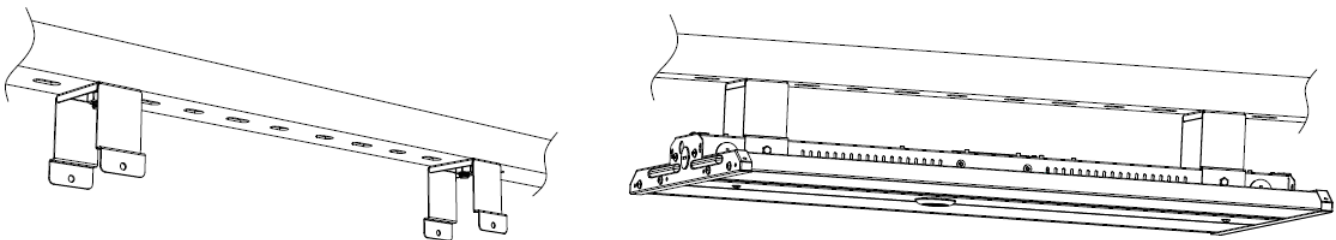
1. Connect chains to support.
2. Connect chains and v-hooks to fixture body.
3. Adjust chain height as needed.
4. Choose suitable wiring knockout and perform wiring according to local and national electrical codes.

**3/4" PENDANT MOUNTING**

1. Mount bracket to 3/4" NPT.
2. Connect the bracket to the fixture.
3. Perform wiring according to local and national electrical codes.
4. Screw in lock screw to secure bracket.

**SURFACE MOUNTING**

1. Mount bracket to ceiling.
2. Connect brackets to fixture.
3. Choose suitable wiring knockout and perform wiring according to local and national electrical codes.

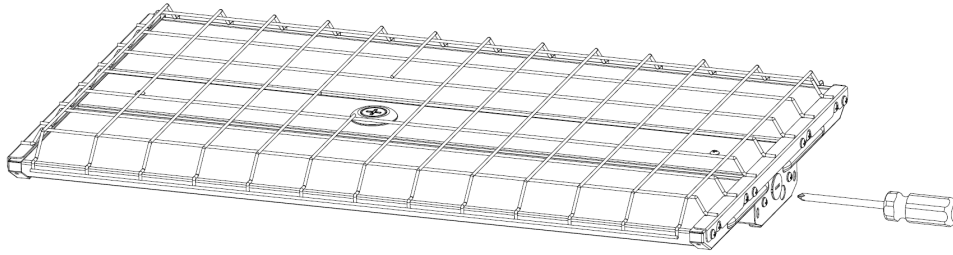


(Installation Instructions continued on next page)

INSTALLATION INSTRUCTIONS (continued)**WIRE GUARD****WIRE GUARD**

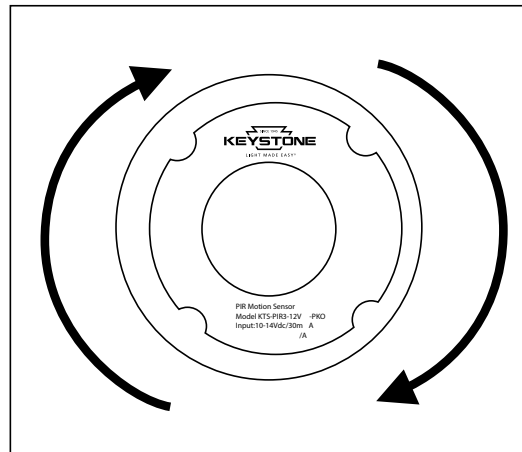
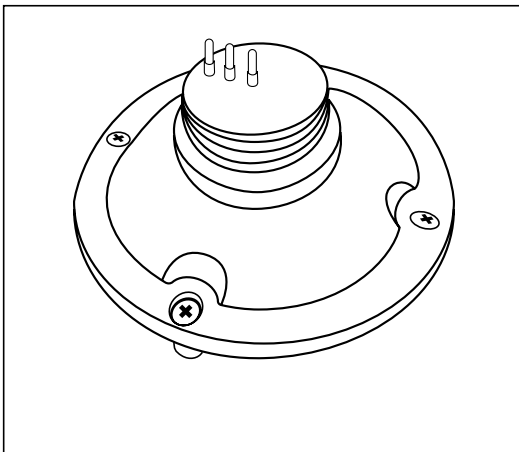
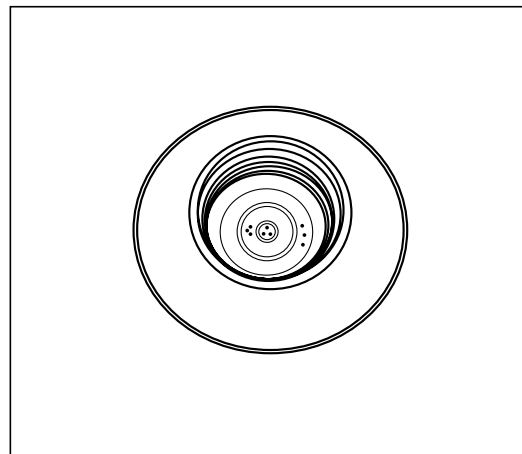
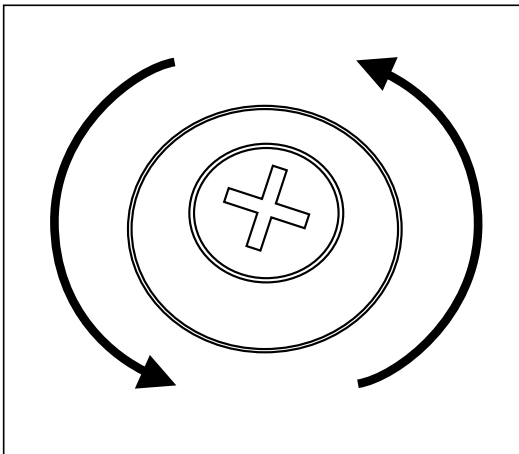
Purchase the correct size wire guard from manufacturer.

1. Mount the wire guard on the fixture with screws.

**OCCUPANCY SENSORS**

1. Ensure power is off to the fixture.
2. Using a screwdriver, unscrew the 1/2" knockout.
3. Screw in device by hand. Device may include gaskets or washers to help prevent over tightening. If included, select the the gasket or washer that minimizes or eliminates gaps between the fixture and device.

CAUTION! Do not over tighten. Over tightening the device will damage the device and/or fixture.
(see illustrations below)



(Installation Instructions continued on next page)

INSTALLATION INSTRUCTIONS (continued)**OCCUPANCY SENSORS****Microwave Occupancy Sensor**

(Sold separately)

Catalog Number	Description	UPC	Easy Code
KTS-MW3-12V-PKO /A	High Bay Microwave Occupancy Sensor with /A pre-set settings	843654133317	XYR-25
KTS-MW3-12V-PKO /B	High Bay Microwave Occupancy Sensor with /B pre-set settings	843654133324	SPF-37

Passive Infrared (PIR) Occupancy Sensor

(Sold separately)

Catalog Number	Description	UPC	Easy Code
KTS-PIR3-12V-PKO /A	High Bay Passive Infrared (PIR) Occupancy Sensor with /A pre-set settings	843654133638	RXQ-30
KTS-PIR3-12V-PKO /B	High Bay Passive Infrared (PIR) Occupancy Sensor with /B pre-set settings	843654133645	LEF-34