



KT-LED9T8-48G-8XX-DX2

T8 LED LAMP

DESCRIPTION

9W T8 LED | 3500K, 4000K, 5000K | >83 CRI | High Efficiency | Single or Double-ended Wiring



LAMP TYPE: Linear
BULB TYPE: T8 LED
BASE TYPE: G13 (Medium Bi-Pin)
WATTAGE: 9W
COLOR TEMPERATURE: 3500K, 4000K, 5000K
COLOR RENDERING INDEX (CRI): >83
WARRANTY: 10 Years



PRODUCT FEATURES

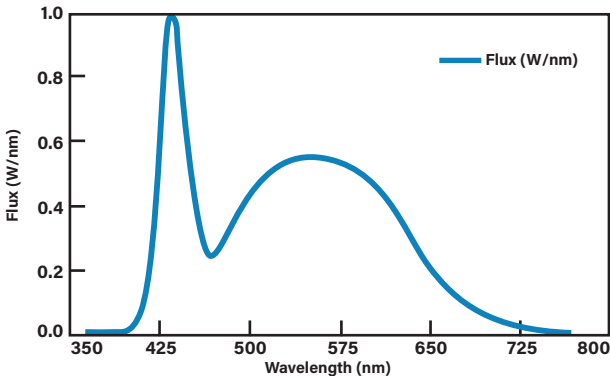
- Replacement for conventional fluorescent lamps
- Single- or double-ended wiring
- 50,000+ hour lifetime
- Approx. 40% more energy efficient than standard F32T8 lamps
- Environmentally friendly: No mercury used
- Instant startup
- Frosted lens eliminates pixelation
- DLC Listed
- UL Verified low optical flicker
- UL Classified
- Operating Temperature: -20°C/-4°F to 45°C/113°F
- Integral driver (isolated), eliminates the need for external driver or ballast
- Approximately ~175 lumens per watt
- Compatible with KT-EMRG-LED-5-500-AC LED emergency back-up
- Lamp is dimmable when used with an appropriate dimming accessory (purchased separately). Contact Keystone for more details to find out what is best for the intended application.

ELECTRICAL AND PERFORMANCE SPECIFICATIONS

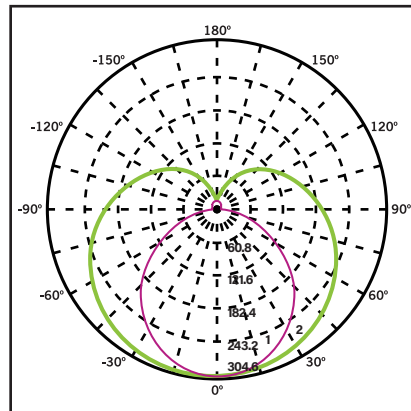
Catalog Number	Input Voltage	Power Consumption	Color Temperature (CCT)	Luminous Flux	Efficacy	Beam Angle	Visible Light Area	Power Factor	Input Current	Rated Life
KT-LED9T8-48G-835-DX2	120-277 Vac	~9.5W	3500K	1600 lm	178 lm/W	240°	325°	>0.9	0.08A @ 120V 0.03A @ 277V	L70 (Hours) 50,000
KT-LED9T8-48G-840-DX2			4000K	1650 lm	183 lm/W					
KT-LED9T8-48G-850-DX2			5000K	1650 lm	183 lm/W					

PHOTOMETRIC SPECIFICATIONS

SPECTRAL DISTRIBUTION



POLAR CANDELA DISTRIBUTION



Maximum Candela = 1248.55
Located at Horizontal Angle = 0,
Vertical Angle 0

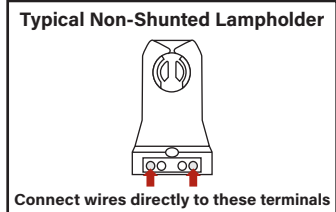
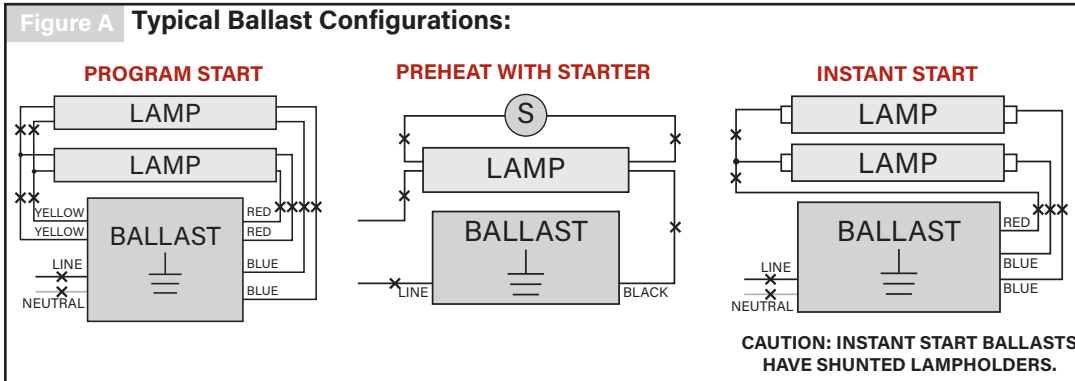
1. **Violet** Vertical Plane through Horizontal Angles (90-270)
2. **Green** Vertical Plane through Horizontal Angles (0-180)

KT-LED9T8-48G-8XX-DX2

T8 LED LAMP

SINGLE-ENDED WIRING DIAGRAM

1. Cut all existing connections to ballast as shown below and remove ballast. See Figure A for typical ballast configurations. **Note: Single-ended wiring requires non-shunted lampholders.**

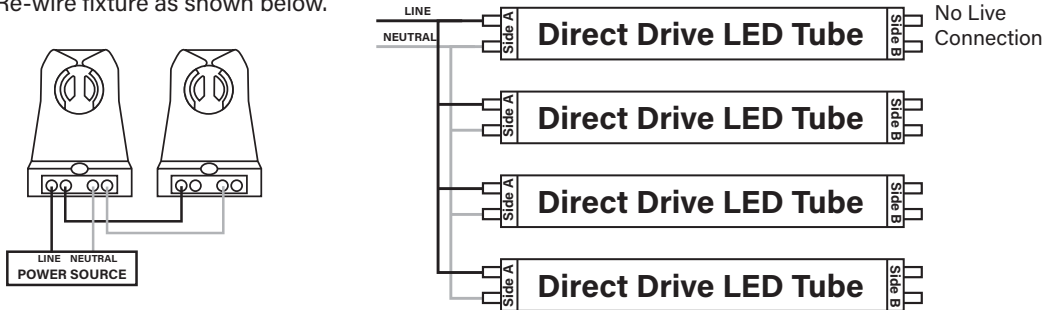


CAUTION: For Single-ended wiring use only non-shunted lampholders.

For Single-ended wiring, do not install product in a fixture with shunted lampholders (found in all fixtures using instant start ballasts). If the current lampholders are shunted, remove them and replace them with non-shunted lampholders. Make new connections directly to terminals as indicated above.

Keystone can provide any style replacement lampholders. Call us at 800-464-2680.

2. Re-wire fixture as shown below.



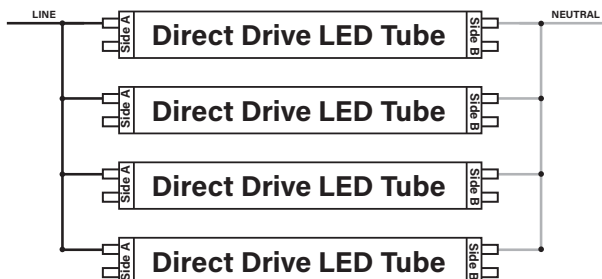
DOUBLE-ENDED WIRING DIAGRAM

1. Cut all existing connections to ballast as shown below and remove ballast. See Figure A above for typical ballast configurations.

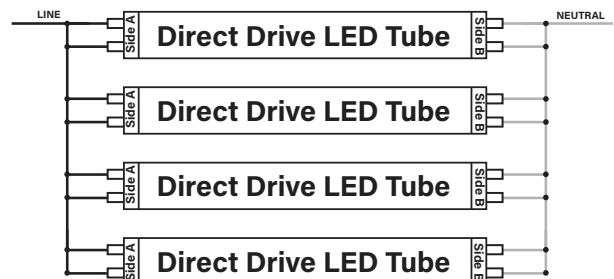
2. Re-wire fixture as shown below. For Double-ended wiring, use either shunted or nonshunted lampholders.

Note: There should not be any exposed wires at the end of installation.

Shunted Lampholders



Nonshunted Lampholders





KT-LED9T8-48G-8XX-DX2

T8 LED LAMP

PHYSICAL SPECIFICATIONS

LAMP DIMENSIONS

	A (Illuminated Length)	42.63"
	B (Body Length)	47.15"
	C (Diameter)	1.10"

NOMINAL LENGTH: 48" BASE TYPE: G13 (Medium Bi-Pin)

ORDERING INFORMATION

ORDER CODE	PACK QTY.	UPC	EASY CODE	DLC PRODUCT ID
KT-LED9T8-48G-835-DX2-CP	25	843654122656	FOF-82	PLCHI73C44AA
KT-LED9T8-48G-840-DX2-CP	25	843654122663	URW-17	PLU7T7QLZU4U
KT-LED9T8-48G-850-DX2-CP	25	843654122670	QXZ-61	PL7316CI8871

CATALOG NUMBER BREAKDOWN

KT-LED9T8-48G-8XX-DX2-CP

1 2 3 4 5 6 7 8 9 10

- 1 Keystone Technologies
- 2 LED Lamp
- 3 Wattage
- 4 Lamp Type
- 5 Nominal Length (Inches)
- 6 Glass
- 7 80 CRI
- 8 Color Temperature
- 9 Single or Double-Ended Wiring
- 10 Packaging Style