



ALUMAGROOVE®

KTAG-44L-1400-46-8XX-RJ /G2 HIGH OUTPUT LINEAR LED MODULE

DESCRIPTION

High output linear LED modules pre-mounted into aluminum extrusion via a patented manufacturing method, 44" Long.



RoHS Compliant

5 YEAR WARRANTY

MODULE TYPE: Linear
MAX MODULE POWER: 64.4W
MAX DRIVE CURRENT: 1400mA
COLOR RENDERING INDEX (CRI): >80
RECOMMENDED WIRING: Parallel Connection
WARRANTY: 5 Years

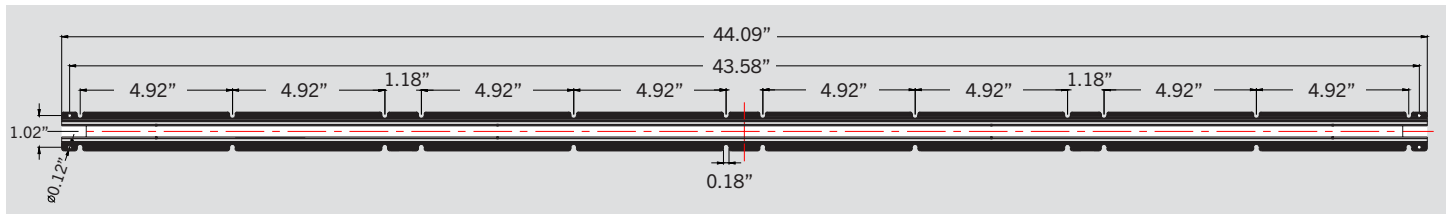


PRODUCT FEATURES

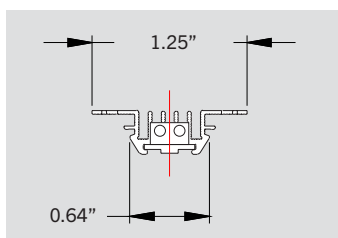
- For use in class 2 lighting systems only
- High lumen density design, approx 2650 lm/ft
- Optional lens accessory
- Completely heat sunked, no additional heat sinking needed to maintain LED lifetime
- Low profile, push-in connectors
- Made with UL recognized components
- 3-Step color binning
- 2835 LED chip package
- Reported life expectancy: L70 >54,000 hours at 85°C | L90 48,000 hours at 85°C
- Calculated life expectancy: L70 >160,000 hours at 85°C | L90 48,000 hours at 85°C
- Linkable in parallel with different length AlumaGroove modules

PHYSICAL SPECIFICATIONS

Top View



Side View



KTAG-44L-1400-46-8XX-RJ /G2

HIGH OUTPUT LINEAR LED MODULE

PERFORMANCE SPECIFICATIONS

Drive Current mA	Volts	Watts	3000K				3500K				4000K				5000K			
			WITHOUT LENS		WITH LENS		WITHOUT LENS		WITH LENS		WITHOUT LENS		WITH LENS		WITHOUT LENS		WITH LENS	
			Flux	Efficacy lm/W	Flux	Efficacy lm/W	Flux	Efficacy lm/W	Flux	Efficacy lm/W	Flux	Efficacy	Flux	Efficacy lm/W	Flux	Efficacy	Flux	Efficacy lm/W
1400	46	64.40	10244	162	9456	143	10788	170	9773	149	11007	174	10057	153	11004	173	10109	153
1320	46	60.72	9615	163	8899	144	10160	171	9241	150	10341	175	9438	154	10351	174	9483	153
1240	46	57.04	9050	164	8381	146	9559	173	8709	152	9723	176	8870	155	9729	175	8925	155
1160	46	53.36	8488	166	7860	147	8969	174	8186	154	9112	178	8323	157	9120	176	8358	156
1080	46	49.68	7931	167	7340	149	8373	176	7653	155	8511	179	7772	158	8510	178	7799	158
1000	46	46.00	7369	169	6818	151	7783	178	7107	157	7909	181	7214	160	7901	180	7246	159
920	46	42.32	6812	171	6302	153	7187	180	6569	159	7298	183	6665	162	7298	182	6690	161
840	46	38.64	6251	173	5772	154	6597	182	6028	161	6696	185	6094	163	6691	183	6121	163
760	46	34.96	5685	175	5232	156	6003	184	5480	163	6086	187	5543	166	6080	185	5560	165
680	46	31.28	5111	177	4702	158	5400	187	4931	165	5474	189	4986	168	5463	187	5000	167
600	46	27.60	4534	179	4166	160	4789	189	4372	167	4851	192	4423	170	4841	190	4439	169
520	46	23.92	3948	181	3628	162	4177	191	3801	169	4224	194	3851	172	4218	192	3865	171
440	46	20.24	3357	184	3075	164	3551	194	3233	172	3592	196	3264	174	3584	194	3278	173
360	46	16.56	2759	186	2526	166	2918	196	2658	174	2949	199	2683	176	2945	197	2693	175
280	46	12.88	2153	188	1970	168	2280	199	2070	176	2301	201	2096	179	2295	199	2104	178
200	46	9.20	1539	190	1405	170	1630	201	1482	179	1647	203	1495	181	1643	201	1502	180

* Nominal Values Shown. Actual Values May Vary Based on Tolerances and Ambient Temperature.

Circuit Layout	
No. of LED's in Series	No. of LED's in Parallel
16	16

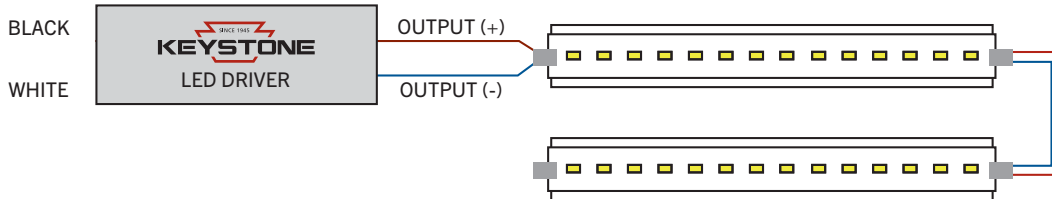
ACCESSORIES

Lens	KTAG-44L-LENS*

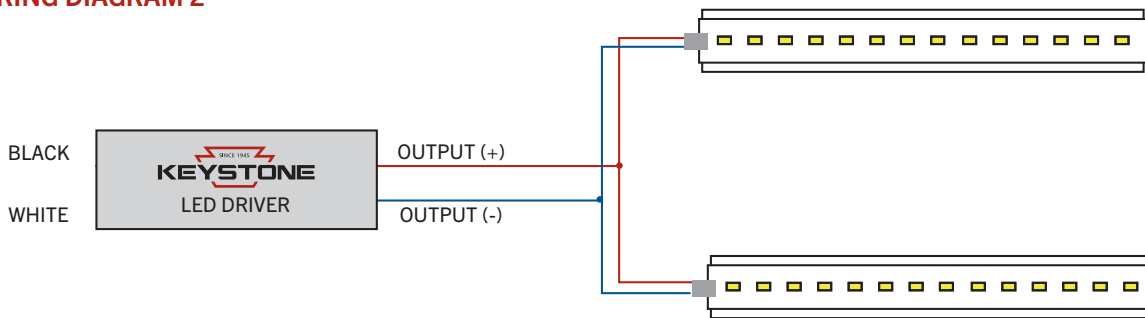
*Polycarbonate, Flammability Rating V-2

KTAG-44L-1400-46-8XX-RJ /G2 HIGH OUTPUT LINEAR LED MODULE

WIRING DIAGRAM 1*



WIRING DIAGRAM 2*



* Not to exceed a total of 8' total length for end-to-end parallel connections and not to exceed 2A input into any one connector.

ORDERING INFORMATION

Catalog Number	Easy Code	UPC
KTAG-44L-1400-46-830-RJ /G2	RPX-35	843654140421
KTAG-44L-1400-46-835-RJ /G2	SGR-93	843654140438
KTAG-44L-1400-46-840-RJ /G2	QXJ-79	843654140445
KTAG-44L-1400-46-850-RJ /G2	UZK-80	843654140452

CATALOG NUMBER BREAKDOWN

KTAG-44L-1400-46-8XX-RJ /G2

1 **2** **3** **4** **5** **6** **7** **8**

- 1** Keystone Technologies AlumaGroove
- 2** Nominal Length
- 3** Max. Drive Current
- 4** Nominal Forward Voltage
- 5** 80 CRI
- 6** Color Temperature
- 7** Rear-Junction Connection
- 8** Second Generation