



ALUMAGROOVE®

KTAG-11L-350-46-8XX-RJ /G2 HIGH OUTPUT LINEAR LED MODULE

DESCRIPTION

High efficacy linear LED modules pre-mounted into aluminum extrusion via a patented manufacturing method, 11" Long.



RoHS Compliant

5 YEAR WARRANTY

MODULE TYPE: Linear
MAX MODULE POWER: 16.1W
MAX DRIVE CURRENT: 350mA
COLOR RENDERING INDEX (CRI): >80
RECOMMENDED WIRING: Parallel Connection
WARRANTY: 5 Years

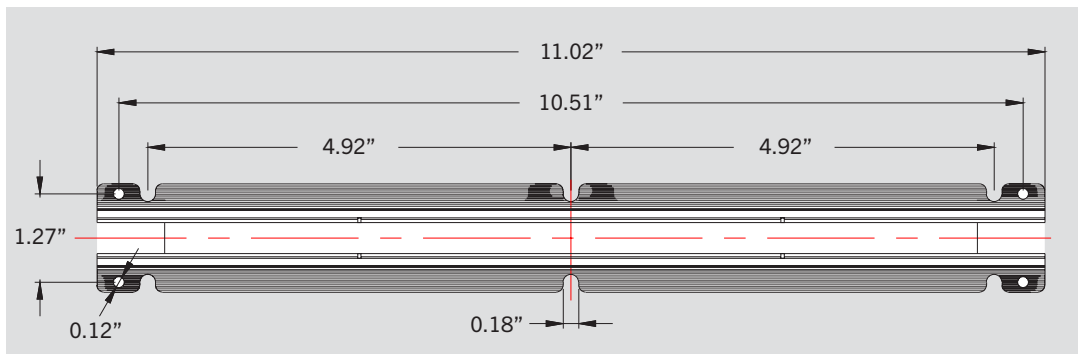


PRODUCT FEATURES

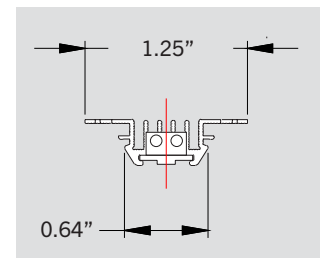
- For use in class 2 lighting systems only
- High lumen density design, approx 2650 lm/ft
- Optional lens accessory
- Completely heat sunked, no additional heat sinking needed to maintain led lifetime
- Low profile, push-in connectors
- Made with UL recognized components
- 3-Step color binning
- 2835 LED chip package
- Reported life expectancy: L70 >54,000 hours at 85C° | L90 48,000 hours at 85C°
- Calculated life expectancy: L70 >160,000 hours at 85C° | L90 48,000 hours at 85C°
- Linkable in parallel with different length AlumaGroove modules

PHYSICAL SPECIFICATIONS

Top View



Side View



KTAG-11L-350-46-8XX-RJ /G2

HIGH OUTPUT LINEAR LED MODULE

PERFORMANCE SPECIFICATIONS

Drive Current mA	Volts	Watts	3000K				3500K				4000K				5000K			
			WITHOUT LENS		WITH LENS		WITHOUT LENS		WITH LENS		WITHOUT LENS		WITH LENS		WITHOUT LENS		WITH LENS	
			Flux	Efficacy lm/W	Flux	Efficacy lm/W	Flux	Efficacy lm/W	Flux	Efficacy lm/W	Flux	Efficacy	Flux	Efficacy lm/W	Flux	Efficacy	Flux	Efficacy lm/W
350	46	16.10	2634	170	2287	145	2785	179	2411	152	2828	183	2449	155	2816	181	2444	154
330	46	15.18	2487	172	2173	146	2625	181	2273	153	2660	184	2308	156	2657	182	2299	154
310	46	14.26	2345	173	2043	147	2471	182	2141	155	2507	185	2176	157	2505	184	2167	156
290	46	13.34	2203	175	1914	149	2322	184	2012	156	2356	187	2043	158	2353	185	2035	157
270	46	12.42	2062	177	1789	150	2172	186	1883	158	2205	189	1910	160	2200	187	1903	158
250	46	11.50	1918	178	1662	151	2022	188	1751	159	2052	191	1776	161	2047	189	1765	159
230	46	10.58	1775	180	1532	152	1871	190	1619	161	1897	193	1637	163	1894	191	1632	161
210	46	9.66	1630	182	1406	154	1718	192	1483	162	1742	195	1502	164	1737	193	1497	163
190	46	8.74	1482	184	1277	155	1563	194	1348	164	1584	197	1366	166	1581	195	1362	164
170	46	7.82	1332	186	1148	157	1406	196	1214	166	1424	199	1228	168	1421	197	1224	166
150	46	6.90	1181	188	1018	159	1248	198	1077	168	1263	201	1089	170	1260	199	1085	168
130	46	5.98	1029	190	885	160	1087	200	939	170	1100	203	946	171	1097	201	946	170
110	46	5.06	875	192	753	162	925	203	797	172	935	205	804	173	932	203	804	172
90	46	4.14	719	194	617	164	761	205	655	173	769	208	660	175	767	205	659	173
70	46	3.22	561	196	481	166	594	208	511	176	600	210	515	177	598	208	514	175
50	46	2.30	402	199	345	168	426	210	366	178	430	212	369	179	429	210	368	177

* Nominal Values Shown. Actual Values May Vary Based on Tolerances and Ambient Temperature.

Circuit Layout	
No. of LED's in Series	No. of LED's in Parallel
16	4

ACCESSORIES

Lens	KTAG-11L-LENS*

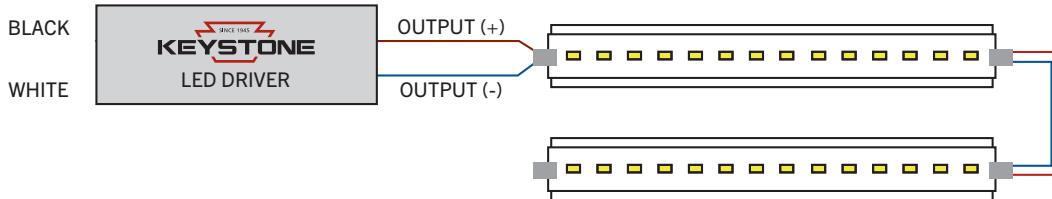
*Polycarbonate, Flammability Rating V-2



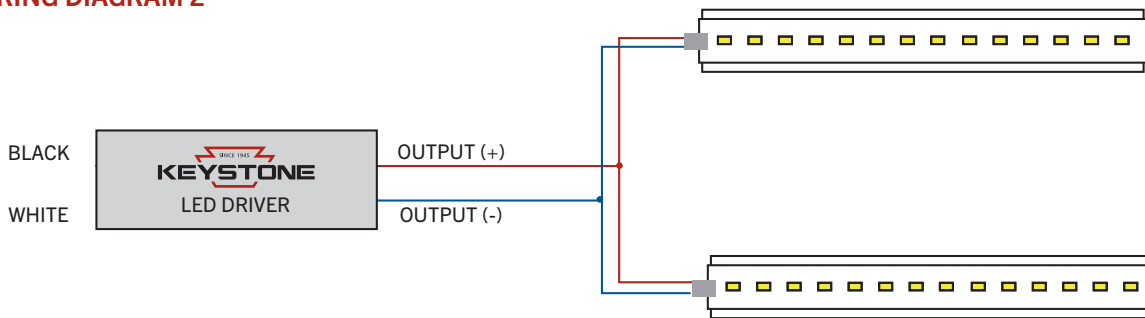
KTAG-11L-350-46-8XX-RJ /G2

HIGH OUTPUT LINEAR LED MODULE

WIRING DIAGRAM 1*



WIRING DIAGRAM 2*



* Not to exceed a total of 8' total length for end-to-end parallel connections and not to exceed 2A input into any one connector.

ORDERING INFORMATION

Catalog Number	UPC	Easy Code
KTAG-11L-350-46-830-RJ /G2	843654140346	IOJ-23
KTAG-11L-350-46-835-RJ /G2	843654140353	ZZJ-15
KTAG-11L-350-46-840-RJ /G2	843654140360	VCT-74
KTAG-11L-350-46-850-RJ /G2	843654140377	RPO-94

CATALOG NUMBER BREAKDOWN

KTAG-11L-350-46-8XX-RJ /G2

1
2
3
4
5
6
7
8

- | | |
|---|---|
| <p>1 Keystone Technologies AlumaGroove</p> <p>2 Nominal Length</p> <p>3 Max. Drive Current</p> <p>4 Nominal Forward Voltage</p> | <p>5 80 CRI</p> <p>6 Color Temperature</p> <p>7 Rear-Junction Connection</p> <p>8 Second Generation</p> |
|---|---|