



KTEB-332-UV-IS-H-P

T8 ELECTRONIC BALLAST

Version D1

DESCRIPTION

3 x F32T8 | 120-277 Multi-Voltage | HPF | Instant Start



STARTING METHOD: Instant Start
LAMP CONNECTION: Parallel
INPUT VOLTAGE: 120-277Vac ±10%
INPUT FREQUENCY: 50/60 Hz
POWER FACTOR: High
WARRANTY: 5 Years



- 2014 DOE Compliant
- Sound Rated: A
- Maximum Case Temperature: 167°F, 75°C
- Meets FCC Part 18 (Class A) Non-Consumer Limits
- Meets ANSI Standard C82.11 and C62.41
- Max. Output Voltage: 600V
- Max. Voltage to Ground: 600V
- UL, cUL Listed Class P, Type 1 Outdoor
- Anti-Striation Circuitry
- Type HL

ELECTRICAL SPECIFICATIONS

LAMP TYPE	NO. OF LAMPS	INPUT VOLTS	INPUT WATTS	NOMINAL LINE AMPS	POWER FACTOR	BALLAST FACTOR	BALLAST EFFICACY FACTOR	MAX THD (%)	CREST FACTOR	MIN. START TEMP.	WIRING DIAGRAM
F32T8 (32W)	3	120V	110.3	0.95	>0.90	1.18	1.07	10	<1.70	0°F/-18°C	F3-2
		277V	107.6	0.40	>0.90	1.18	1.10	10	<1.70	0°F/-18°C	F3-2
	2	120V	81.5	0.69	>0.90	1.30	1.60	10	<1.70	0°F/-18°C	F2-5
		277V	80.6	0.30	>0.90	1.30	1.61	10	<1.70	0°F/-18°C	F2-5
F32T8 (30W)	3	120V	102.3	0.85	>0.90	1.18	1.15	10	<1.70	60°F/16°C	F3-2
		277V	101.7	0.37	>0.90	1.18	1.16	10	<1.70	60°F/16°C	F3-2
	2	120V	77.9	0.65	>0.90	1.30	1.67	10	<1.70	60°F/16°C	F2-5
		277V	77.4	0.29	>0.90	1.30	1.68	12	<1.70	60°F/16°C	F2-5
F32T8 (28W)	3	120V	99.4	0.85	>0.90	1.18	1.19	10	<1.70	60°F/16°C	F3-2
		277V	97.6	0.36	>0.90	1.18	1.21	10	<1.70	60°F/16°C	F3-2
	2	120V	75.2	0.63	>0.90	1.30	1.73	10	<1.70	60°F/16°C	F2-5
		277V	74.4	0/28	>0.90	1.30	1.75	12	<1.70	60°F/16°C	F2-5
F32T8 (25W)	3	120V	83.1	0.74	>0.90	1.18	1.42	10	<1.70	60°F/16°C	F3-2
		277V	82.0	0.32	>0.90	1.18	1.44	10	<1.70	60°F/16°C	F3-2
	2	120V	67.3	0.57	>0.90	1.30	1.93	10	<1.70	60°F/16°C	F2-5
		277V	66.8	0.25	>0.90	1.30	1.95	12	<1.70	60°F/16°C	F2-5
F25T8	3	120V	83.1	0.69	>0.90	1.18	1.42	10	<1.70	0°F/-18°C	F3-2
		277V	82.0	0.30	>0.90	1.18	1.44	10	<1.70	0°F/-18°C	F3-2
	2	120V	61.8	0.52	>0.90	1.30	2.10	10	<1.70	0°F/-18°C	F2-5
		277V	61.6	0.23	>0.90	1.30	2.11	12	<1.70	0°F/-18°C	F2-5
F17T8	3	120V	59.4	0.50	>0.90	1.19	2.00	10	<1.70	0°F/-18°C	F3-2
		277V	59.2	0.22	>0.90	1.19	2.01	12	<1.70	0°F/-18°C	F3-2
	2	120V	45.1	0.37	>0.90	1.32	2.93	10	<1.70	0°F/-18°C	F2-5
		277V	45.2	0.18	>0.90	1.32	2.92	15	<1.70	0°F/-18°C	F2-5
F40T8	2	120V	102.8	0.85	>0.90	1.12	1.09	10	<1.70	0°F/-18°C	F2-5
		277V	102.4	0.37	>0.90	1.12	1.09	10	<1.70	0°F/-18°C	F2-5

Will also operate equivalent U-bend lamps.



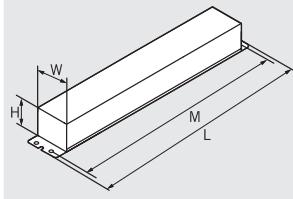
KTEB-332-UV-IS-H-P

T8 ELECTRONIC BALLAST

Version D1

PHYSICAL SPECIFICATIONS

CASE DIMENSIONS



LENGTH	9.50"
WIDTH	1.30"
HEIGHT	1.18"
MOUNTING	9.00"
CASE STYLE	L4

STANDARD LEAD LENGTHS*

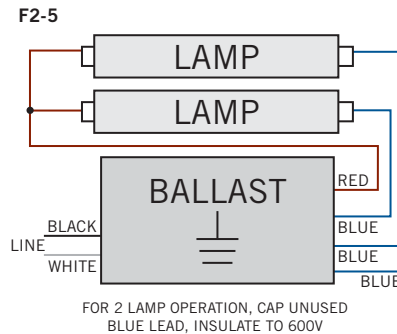
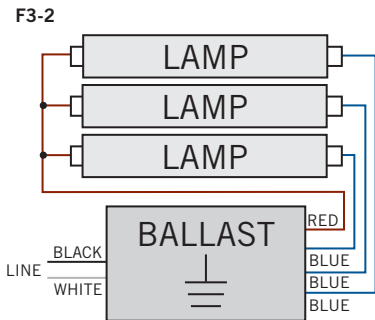
BLACK	25"
WHITE	25"
BLUE	31"
RED	37"

Lead wires are 18 AWG
105°C/600V, solid copper.

CASE MATERIAL: Steel

*Consult Keystone for special lead length requirements.

WIRING DIAGRAMS



Instant start T8 ballasts require the use of either shunted sockets or a sockets with a manual wire shunt (or "bridge").

ORDERING INFORMATION

ORDER CODE	PACKAGING STYLE	PACK QTY.	ITEM STATUS
KTEB-332-UV-IS-H-P-DP	Distributor Pack	10	Quick Ship
KTEB-332-UV-IS-H-P-CP	Carton Pack	10	Active

NOTE: Version D1 (Manufacturing Revision). Prior versions of this ballast exist. Spec sheets for prior versions available upon request. Contact Keystone for details.

CATALOG NUMBER BREAKDOWN

KTEB-332-UV-IS-H-P-DP

