



DIRECT DRIVE LED

LINE VOLTAGE T8 TUBES

KT-LED36T8-96P-835-D

T8 LED LAMP

DESCRIPTION

36W T8 LED | 3500K | > 80 CRI | High-Efficiency | 8-Foot



10 YEAR
LIMITED WARRANTY

LAMP TYPE: Linear

BULB TYPE: T8 LED

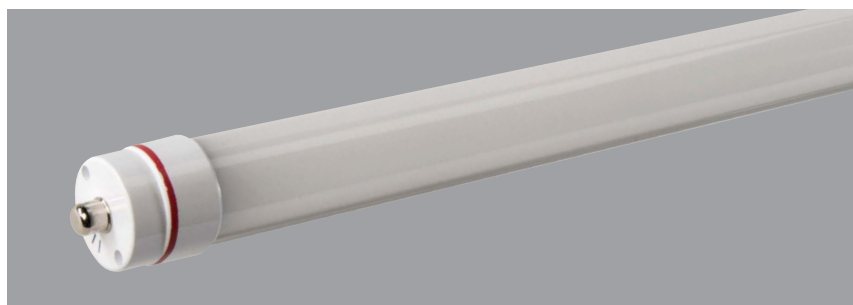
BASE TYPE: Fa8 (Single-Pin)

WATTAGE: 36W

COLOR TEMPERATURE: 3500K

COLOR RENDERING INDEX (CRI): > 80

WARRANTY: 10 Year Limited



PRODUCT FEATURES

- Replacement for conventional T8/T12 8-foot single-pin fluorescent lamp
- Double-ended line voltage wiring: Connect power to each end for simplified installation
- Approximately 50% more energy efficient than standard F96T12 lamps
- Environmentally friendly: No mercury used
- Instant startup
- Includes 2 C-clips to be installed with the lamps into the fixture ballast cover to prevent any potential undesired lamp twisting or sagging
- Frosted lens eliminates pixelation
- UL Classified
- Operating temperature: -20°C/-4°F to 55°C/131°F
- Integral driver (Isolated) eliminates the need for external driver or ballast
- 100+ lumens per watt
- 50,000+ hour lifetime
- Plastic lens with aluminum backing

OPERATING SPECIFICATIONS

ELECTRICAL CHARACTERISTICS

Input Voltage	Power Consumption	Power Factor	Input Current
120-277Vac	36W	>0.9	0.30A @ 120V 0.14A @ 277V

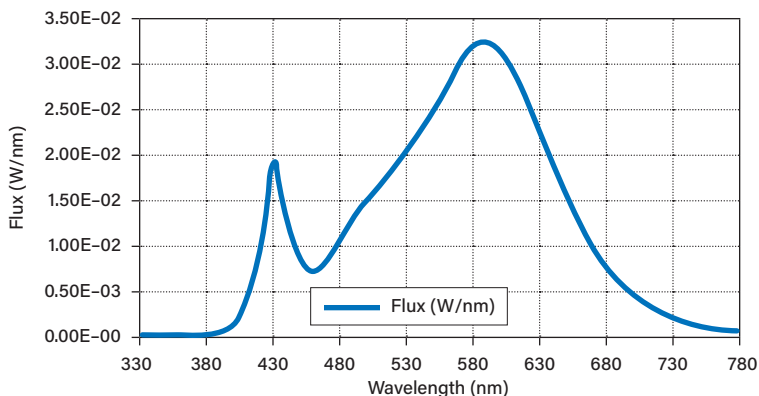
PHOTOMETRIC CHARACTERISTICS

Color Temperature (CCT)	3500K
Luminous Flux	3750 lm
Color Rendering Index (CRI)	>80
Efficacy	104 lm/W
Beam Angle	120°

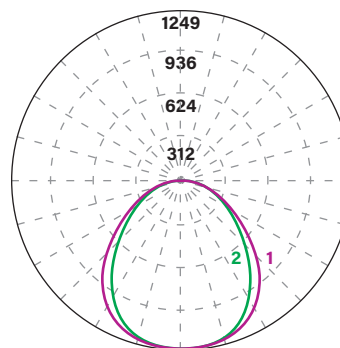
RATED LIFE

L70 (Hours)	50,000
-------------	--------

SPECTRAL DISTRIBUTION



POLAR CANDELA DISTRIBUTION



Located at:
Horizontal Angle = 0
Vertical Angle = 0

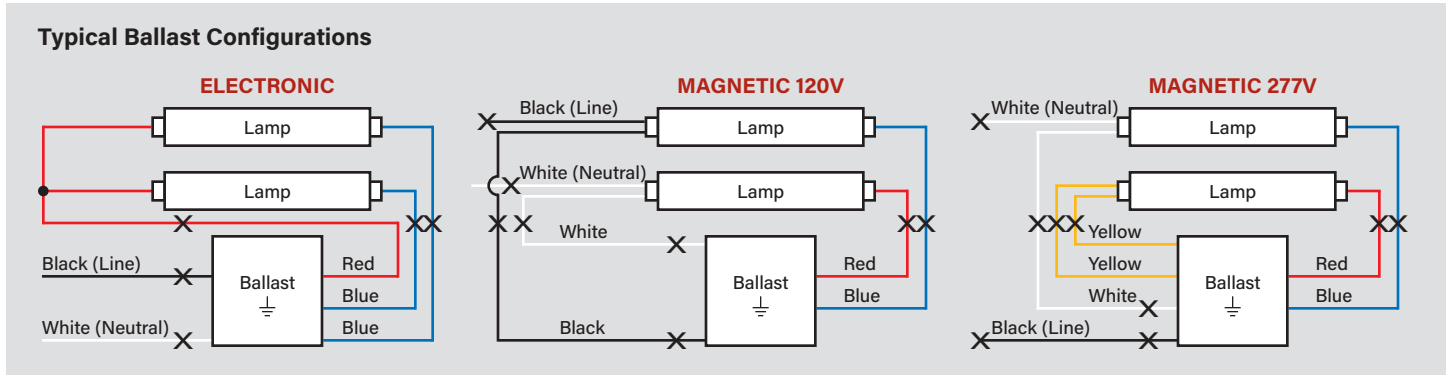
- 1 Violet** Vertical Plane through Horizontal Angles (90-270)
- 2 Green** Vertical Plane through Horizontal Angles (0-180)

KT-LED36T8-96P-835-D

T8 LED LAMP

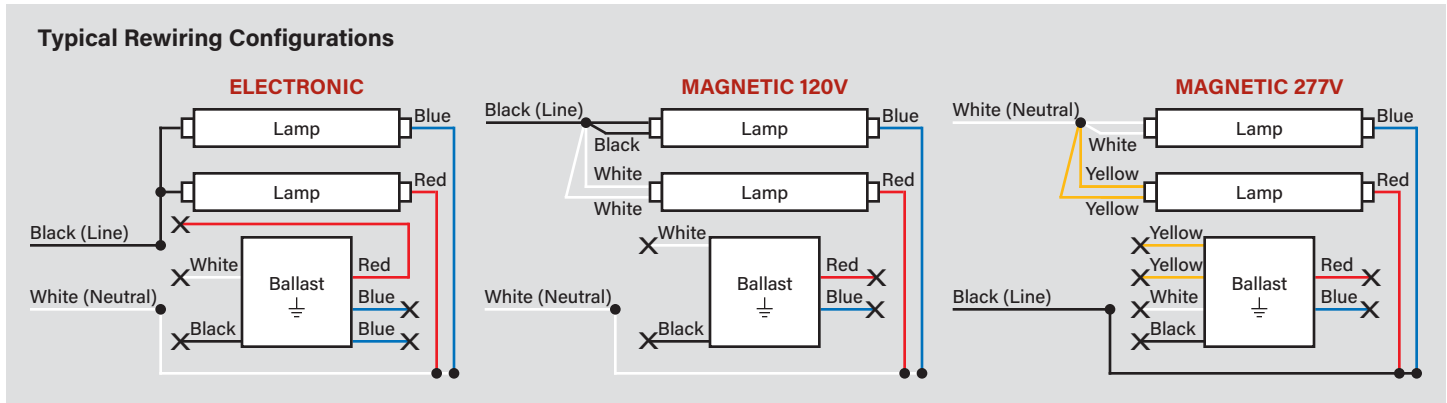
WIRING INSTRUCTIONS

1. Identify ballast configuration as shown below and cut all wires connected to the ballast accordingly.

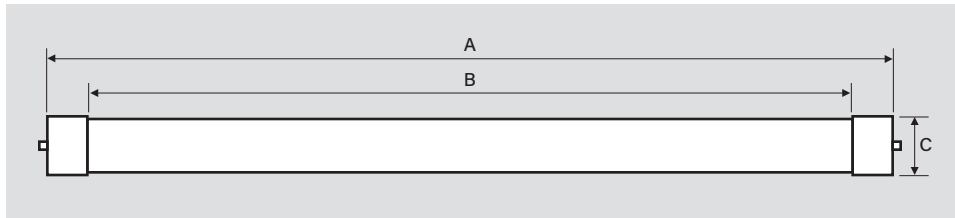


2. Confirm that the lampholders in the fixture are single-pin Fa8 lampholders. These DirectDrive LED tubes require single-pin Fa8 lampholders.

3. Rewire the fixture using existing lampholders, as shown below, according to the original ballast wiring configuration.



PHYSICAL CHARACTERISTICS



LAMP DIMENSIONS

A (Body Length)	93.31"
B (Illuminated Length)	91.50"
C (Cross-section: Width x Height)	1.08" x 1.31"

NOMINAL LENGTH: 96"

BASE TYPE: Fa8 (Single-Pin)



KT-LED36T8-96P-835-D

T8 LED LAMP

ORDERING INFORMATION

ORDER CODE	PACKAGING STYLE	PACK QTY.	ITEM STATUS
KT-LED36T8-96P-835-D-DP	Distributor Pack (Individual Cartons)	20	Quick Ship

CATALOG NUMBER BREAKDOWN

KT-LED36T8-96P-835-D-DP

- 1
- 2
- 3
- 4
- 5
- 6
- 7
- 8
- 9
- 10

- 1** Keystone Technologies
- 2** LED Lamp
- 3** Wattage
- 4** Lamp Type
- 5** Nominal Length (Inches)
- 6** Plastic/Aluminum Case
- 7** 800 Series
- 8** Color Temperature
- 9** Direct Drive Series
- 10** Packaging Style