



# AVIVA



## KT-LED8RD-4CB-9CSF-DIM

### 4" LED BAFFLED DOWNLIGHT RETROFIT TRIM

#### DESCRIPTION

4" Baffled Downlight Retrofit Trim | Color Select Technology | Quick-Disconnect E26 Base

#### APPLICATION

Ideal for residential, hospitality, retail, and other retrofit and new construction applications



#### PRODUCT FEATURES

- Keystone Color Select technology (2700/3000/3500/4000/5000K)
- Includes quick-disconnect E26 base adaptor for easy install in retrofit applications
- Offers improved aesthetics vs. screw-in lamps while using the same easy, screw-in installation
- Ideal for retrofit, new construction, and remodel applications
- Suitable for a wide range of existing recessed can fixtures
- Baffled reflector offers clean, modern appearance
- Diffused lens reduces glare
- Interchangeable trims available in matte black, brushed nickel, and bronze
- Powered by Keystone TRIAC dimming LED driver; 10–100% dimming
- Ambient operating temperature: –20°C/–4°F to 40°C/104°F
- Suitable for use in wet locations
- Power factor: >0.90
- THD: <20%
- FCC Part 15, Subpart B, Class B
- Compliant with ENERGY STAR Downlights v1.0 requirements

#### PERFORMANCE SPECIFICATIONS

| Catalog Number         | Input Voltage | Wattage | CCT (Selectable)* | Lumen Output | Efficacy | CRI | Power Factor | Beam Angle | Lifetime   |
|------------------------|---------------|---------|-------------------|--------------|----------|-----|--------------|------------|------------|
| KT-LED8RD-4CB-9CSF-DIM | 120V          | 8W      | 2700K             | 700          | 88 lm/W  | >90 | >0.9         | 95°        | 50,000 hrs |
|                        |               |         | 3000K             | 710          | 89 lm/W  |     |              |            |            |
|                        |               |         | 3500K             | 720          | 90 lm/W  |     |              |            |            |
|                        |               |         | 4000K             | 720          | 90 lm/W  |     |              |            |            |
|                        |               |         | 5000K             | 710          | 89 lm/W  |     |              |            |            |

\* Preset to lowest CCT: 2700K

Color Uniformity: CCT (Correlated Color Temperature) range as per guidelines outlined in ANSI C78.377-2017

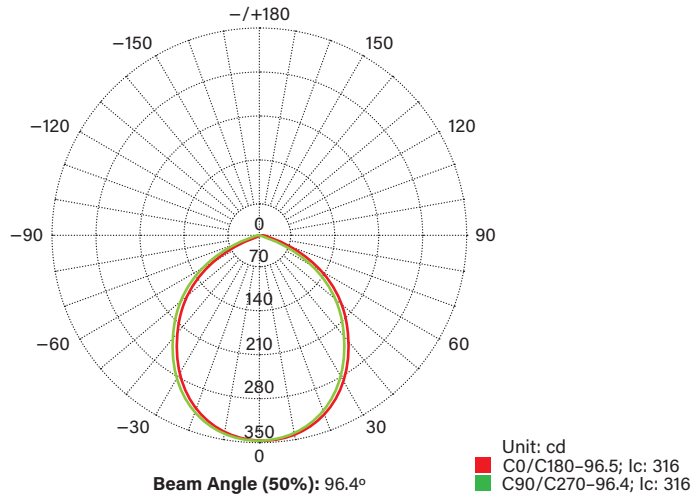


# KT-LED8RD-4CB-9CSF-DIM

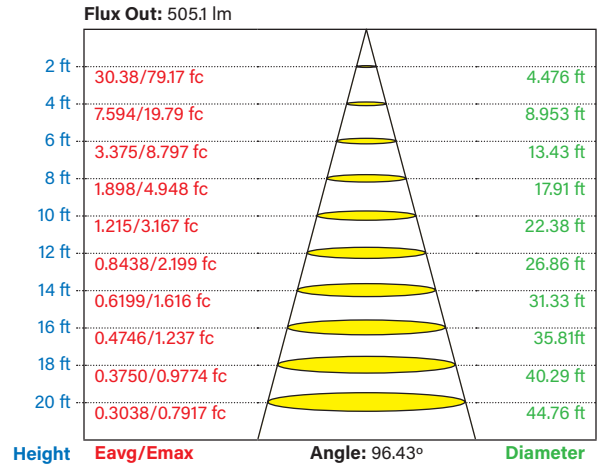
## 4" BAFFLED RETROFIT TRIM

### PHOTOMETRIC SPECIFICATIONS

#### POLAR CANDELA DISTRIBUTION

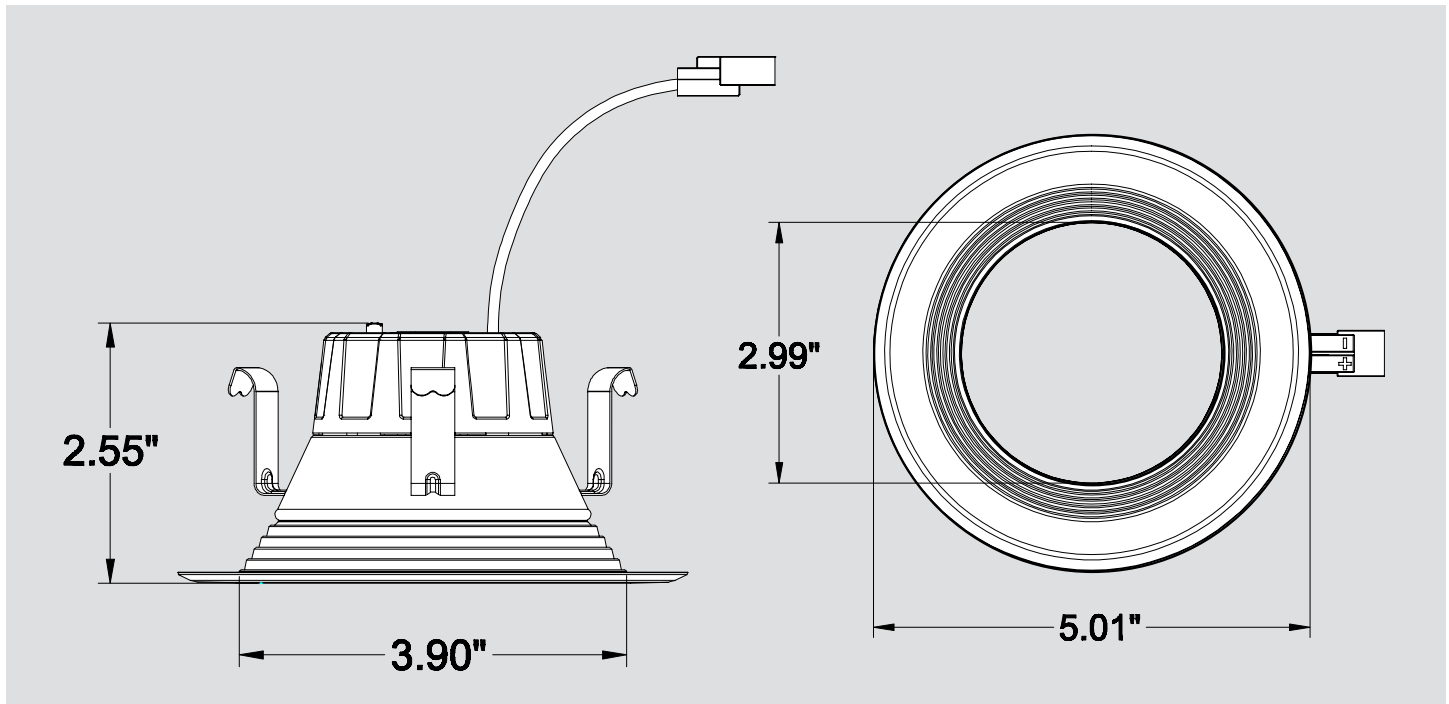


#### LUX DISTANCE CURVE



Curves show illuminated area and average illumination when lamp is at various distances.

### PHYSICAL SPECIFICATIONS





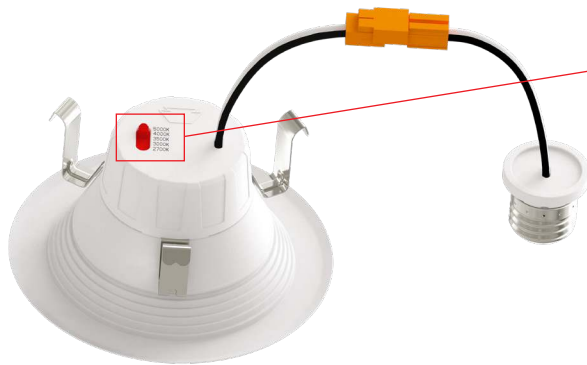
# KT-LED8RD-4CB-9CSF-DIM

## 4" BAFFLED RETROFIT TRIM

### COLOR SELECT (CCT) ADJUSTMENT

This fixture is equipped with field-adjustable Keystone Color Select technology.

1. Ensure power is off to the fixture.
2. Adjust dip switch to desired setting.

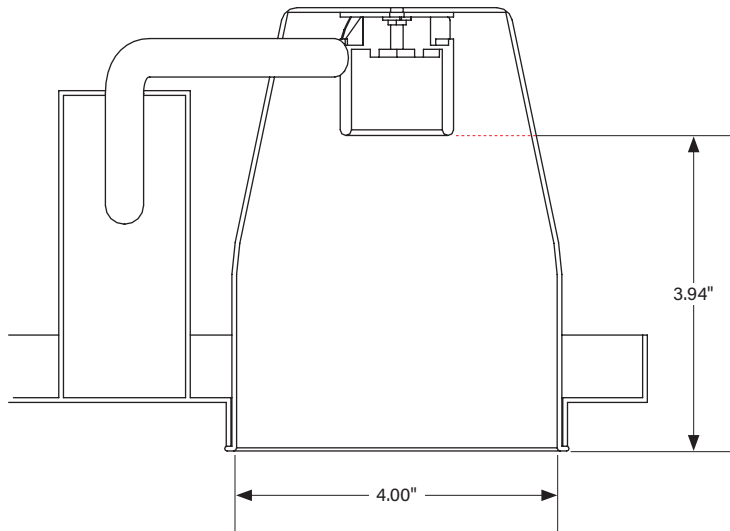


#### COLOR SELECT ADJUSTMENT SWITCH

Set dip switch to adjust CCT between 2700K, 3000K, 3500K, 4000K, and 5000K. Fixture comes preset at 2700K.

### INSTALLATION INSTRUCTIONS

The existing luminaire housing must be equal to or larger than over-all inner dimensions illustrated below.



*(Installation Instructions continued on next page)*

## KT-LED8RD-4CB-9CSF-DIM

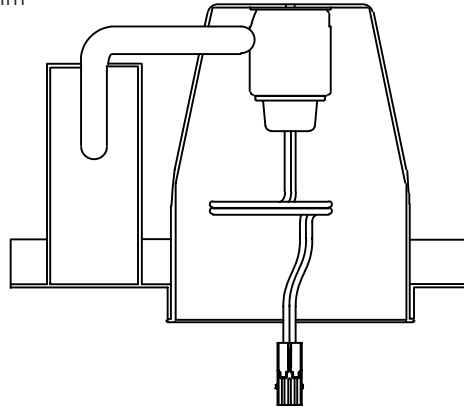
### 4" BAFFLED RETROFIT TRIM

#### INSTALLATION INSTRUCTIONS (continued)

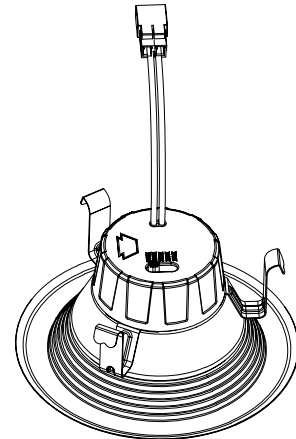
- 1. Shut off power at the source of the recessed housing into which you are installing fixture.** Remove existing trim and CFL or incandescent bulb.

*Note:* Follow all federal and local regulations when disposing of lamps and removed components.

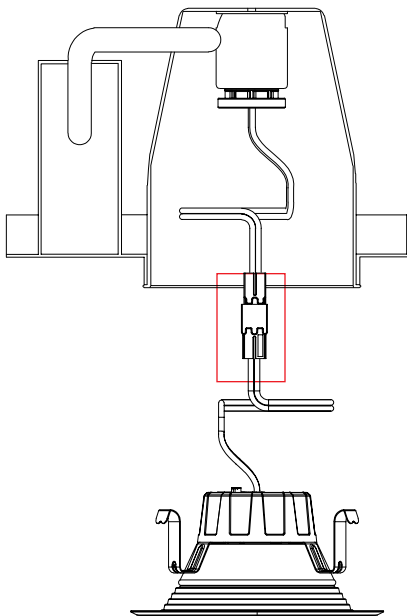
- 2. Screw the E26 adaptor into the socket inside the housing.**



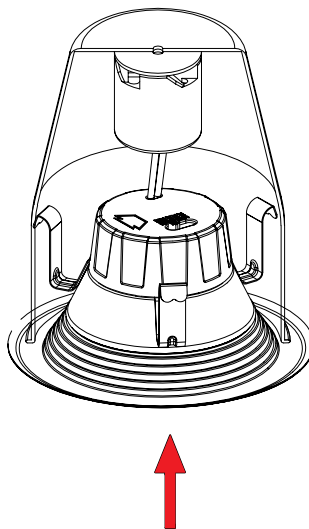
- 3. Select desired CCT using adjustment switch on driver box (see *Color Select (CCT) Adjustment* on page 3).**



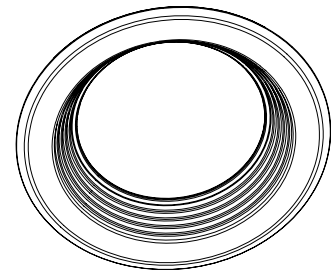
- 4. Plug E26 base cable connection into the recessed housing.**



- 5. Carefully route wires into fixture, sliding the trim and friction clips into the housing.**



- 6. Push the LED trim into the housing until trim is flush with ceiling. Restore power to the fixture.**





# KT-LED8RD-4CB-9CSF-DIM

## 4" LED BAFFLED RETROFIT TRIM

### OPTIONAL ACCESSORIES (sold separately)

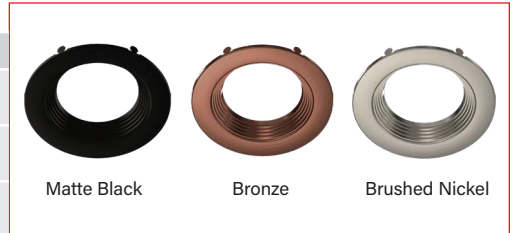
#### GU24 ADAPTOR

| Catalog Number  | Description                              | UPC          | Easy Code |
|-----------------|--|--------------|-----------|
| KT-ADPT-RD-GU24 | GU24 Adaptor for downlight retrofit trim | 843654137568 | WTQ-04    |



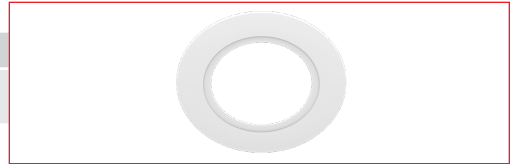
#### INTERCHANGEABLE TRIM

| Catalog Number    | Description   | UPC          | Easy Code |
|-------------------|---|--------------|-----------|
| KT-TRIM-RD-4CB-MB | 4" Interchangeable Trim for Baffled 4" Residential Circular Downlight, Matte Black    | 843654140735 | UCH-61    |
| KT-TRIM-RD-4CB-BR | 4" Interchangeable Trim for Baffled 4" Residential Circular Downlight, Bronze         | 843654140759 | KVX-81    |
| KT-TRIM-RD-4CB-BN | 4" Interchangeable Trim for Baffled 4" Residential Circular Downlight, Brushed Nickel | 843654140773 | OGO-41    |



#### GOOF RING

| Catalog Number | Description   | UPC          | Easy Code |
|----------------|---|--------------|-----------|
| KT-GOOF-RD-4C  | 4" Goof ring for 4" circular downlight retrofit trim; 6.7" diameter | 843654137636 | CSA-39    |



### ORDERING INFORMATION

| Catalog Number         | Pack Qty. | UPC          | Easy Code | Energy Star ID |
|------------------------|-----------|--------------|-----------|----------------|
| KT-LED8RD-4CB-9CSF-DIM | 1         | 843654140711 | OXK-30    | 3555648        |

### CATALOG NUMBER BREAKDOWN

# KT-LED8RD-4CB-9CSF-DIM

1 2 3 4 5 6 7 8 9 10

- 1 Keystone Technologies
- 2 LED Technology
- 3 Max Wattage
- 4 Fixture Type
  - RD Recessed Downlight
- 5 Nominal Size
  - 4 4" Nominal
- 6 Circular Baffled
- 7 90 CRI
- 8 Color Select
- 9 Color Select Designation
  - F 2700/3000/3500/4000/5000K
- 10 TRIAC Dimming