



EXTERNAL DRIVE LED

TYPE C LED TUBES

KT-LED10T8-48G-8XX-E / G2

T8 LED LAMP

DESCRIPTION

10W T8 LED Tube | Type C | 3000K-5000K | > 83 CRI | 0-10V Dimming



10 YEAR LIMITED WARRANTY

LAMP TYPE: Linear
BULB TYPE: T8 LED
BASE TYPE: G13 (Medium Bi-Pin)
DIMMING TYPE: 0-10V
WATTAGE: 10W
LAMP INPUT VOLTAGE: 36-45Vdc
COLOR TEMPERATURE: 3000K-5000K
COLOR RENDERING INDEX (CRI): > 83



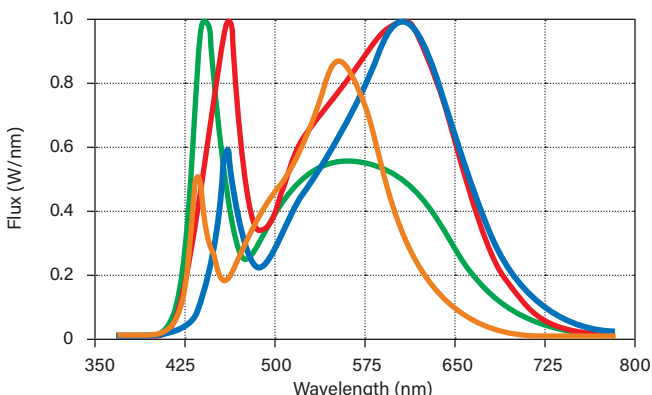
PRODUCT FEATURES

- Compatible with Keystone external drive LED drivers
- Replacement for conventional fluorescent lamps
- 70,000+ hour lifetime
- Type C application for custom installations and maximum efficiency
- Environmentally friendly: No mercury used
- Low optical flicker
- Instant startup
- Frosted glass eliminates pixelation
- UL Classified
- Operating temperature: -20°C/-4°F to 45°C/113°F
- 130+ lumens per watt
- DLC Listed

OPERATING SPECIFICATIONS

Catalog Number	Color Temp.	KTLD-2LT8-UV-10C-VDIM /G2						KTLD-4LT8-UV-10C-VDIM /G2						
		1 Lamp			2 Lamps			3 Lamps			4 Lamps			Power Factor
		Nominal Input Power	Nominal Lumens	Nominal Efficacy	Nominal Input Power	Nominal Lumens	Nominal Efficacy	Nominal Input Power	Nominal Lumens	Nominal Efficacy	Nominal Input Power	Nominal Lumens	Nominal Efficacy	
KT-LED10T8-48G-830-E /G2	3000K	11.5W	1,600	139 lm/W	23W	3,200	139 lm/W	34.5W	4,800	139 lm/W	46W	6,400	139 lm/W	>0.9
KT-LED10T8-48G-835-E /G2	3500K	11.5W	1,625	141 lm/W	23W	3,250	141 lm/W	34.5W	4,875	141 lm/W	46W	6,500	141 lm/W	>0.9
KT-LED10T8-48G-840-E /G2	4000K	11.5W	1,650	143 lm/W	23W	3,300	143 lm/W	34.5W	4,950	143 lm/W	46W	6,600	143 lm/W	>0.9
KT-LED10T8-48G-850-E /G2	5000K	11.5W	1,700	148 lm/W	23W	3,400	148 lm/W	34.5W	5,100	148 lm/W	46W	6,800	148 lm/W	>0.9

SPECTRAL DISTRIBUTION



RATED LIFE

L70 (Hours)	70,000
--------------------	--------

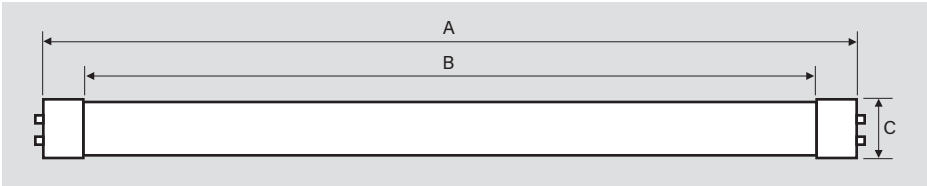
BEAM ANGLE: 240°

VISIBLE LIGHT AREA: 325°

KT-LED10T8-48G-8XX-E /G2

T8 LED LAMP

PHYSICAL CHARACTERISTICS

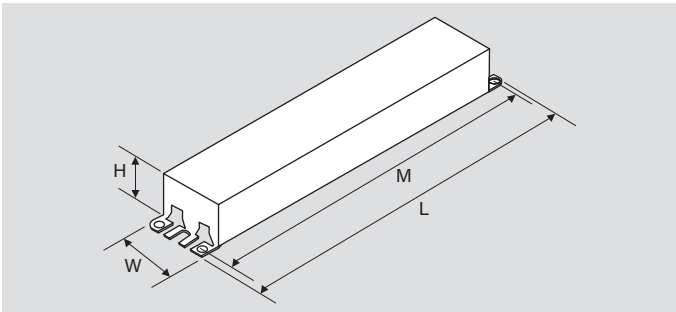


LAMP DIMENSIONS

A (Body Length)	47.19"
B (Illuminated Length)	46.19"
C (Diameter)	1.00"

NOMINAL LENGTH: 48"

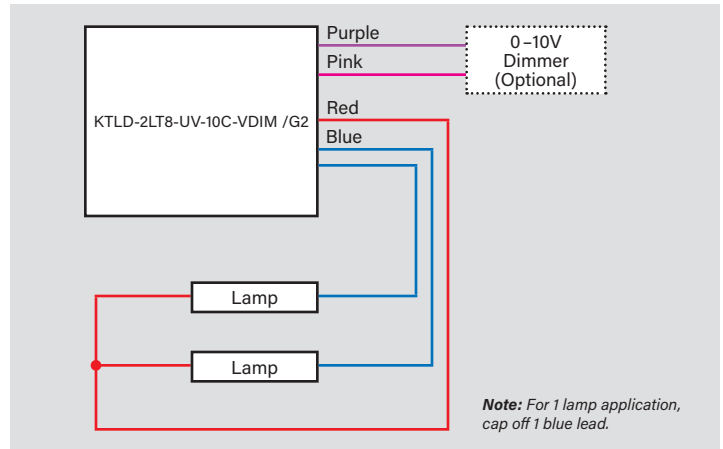
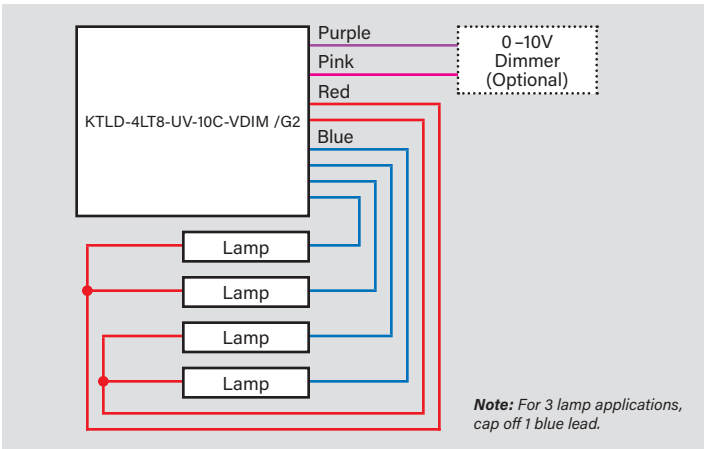
BASE TYPE: G13 (Medium Bi-Pin)



DRIVER DIMENSIONS

KTLD-2LT8-UV-10C-VDIM /G2		KTLD-4LT8-UV-10C-VDIM /G2	
Length (L)	9.50"	Length (L)	9.60"
Width (W)	1.30"	Width (W)	1.80"
Height (H)	1.10"	Height (H)	1.30"
Mounting (M)	8.90"	Mounting (M)	8.90"

WIRING DIAGRAMS





EXTERNAL DRIVE LED
TYPE C LED TUBES

KT-LED10T8-48G-8XX-E /G2

T8 LED LAMP

ORDERING INFORMATION

Order Code	Pack Qty.	UPC	Easy Code
KT-LED10T8-48G-830-E /G2	25	843654140919	HNM-39
KT-LED10T8-48G-835-E /G2	25	843654140926	FYW-48
KT-LED10T8-48G-840-E /G2	25	843654140933	EDH-11
KT-LED10T8-48G-850-E /G2	25	843654140940	EFL-65

CATALOG NUMBER BREAKDOWN

KT-LED10T8-48G-8XX-E /G2

1 2 3 4 5 6 7 8 9 10

- 1 Keystone Technologies
- 2 LED Lamp
- 3 Wattage
- 4 Lamp Type
- 5 Normal Length (Inches)
- 6 Material
- 7 80 CRI
- 8 Color Temp.
- 9 External Drive Series
- 10 Generation 2