



**EXTERNAL DRIVE LED**  
TYPE C LED TUBES



# KT-LED14T8-48G-8CSJ-E

## T8 LED LAMP

### DESCRIPTION

T8 LED | 14W | 120-277Vac Input | 4' Length | Color Select | Type C  
>82 CRI | 0-10V Dimming | G13 (Medium Bi-Pin)



**10 YEAR**  
LIMITED WARRANTY



### PRODUCT FEATURES

- Keystone Power Select technology (see *Performance Specifications* for details)
- Keystone Color Select technology (3000/3500/4000/5000/6500K)
- Compatible with Keystone external drive LED drivers
- Bi-Level Dimming:
  - Toggle Between Partial & Full Brightness using Wall Switch
- Replacement for conventional fluorescent lamps
- 70,000+ hour lifetime
- Type C application for custom installations and maximum efficiency
- Environmentally friendly: No mercury used
- Instant startup
- Frosted glass eliminates pixelation
- UL Classified
- Operating temperature: -20°C/-4°F to 45°C/113°F
- Humidity: 10-90%
- 0-10V Dimming
- Power Factor >0.9
- 12V Aux Output, 100mA Max. Current

### PERFORMANCE SPECIFICATIONS

#### BARE LAMP

Lumens	Wattage	Efficacy	CRI
2,250	14W	161 lm/W	>82

#### SYSTEM - 100% POWER

Lamp Configuration	System Total Power	CCT	System Total Lumens	System Efficacy	System Per Lamp Lumens	System Per Lamp Power	Type C Driver
1-Lamp	15.5W	3000K	2,120	137 lm/W	2,120	15.5W	KTLD-2LT8-UV-PS15C-BL-VDIM
		3500K	2,250	145 lm/W	2,250	15.5W	
		4000K	2,250	145 lm/W	2,250	15.5W	
		5000K	2,250	145 lm/W	2,250	15.5W	
		6500K	2,190	141 lm/W	2,190	15.5W	
2-Lamp	30.6W	3000K	4,240	139 lm/W	2,120	15.3W	
		3500K	4,500	147 lm/W	2,250	15.3W	
		4000K	4,500	147 lm/W	2,250	15.3W	
		5000K	4,500	147 lm/W	2,250	15.3W	
		6500K	4,380	143 lm/W	2,190	15.3W	
3-Lamp	45.6W	3000K	6,360	140 lm/W	2,120	15.2W	KTLD-4LT8-UV-PS15C-BL-VDIM
		3500K	6,750	148 lm/W	2,250	15.2W	
		4000K	6,750	148 lm/W	2,250	15.2W	
		5000K	6,750	148 lm/W	2,250	15.2W	
		6500K	6,570	144 lm/W	2,190	15.2W	
4-Lamp	60.4W	3000K	8,480	140 lm/W	2,120	15.1W	
		3500K	9,000	149 lm/W	2,250	15.1W	
		4000K	9,000	149 lm/W	2,250	15.1W	
		5000K	9,000	149 lm/W	2,250	15.1W	
		6500K	8,760	145 lm/W	2,190	15.1W	

(Performance Specifications continued on next page)



# KT-LED14T8-48G-8CSJ-E

## T8 LED LAMP

### PERFORMANCE SPECIFICATIONS (continued)

#### 14W LAMP SYSTEM

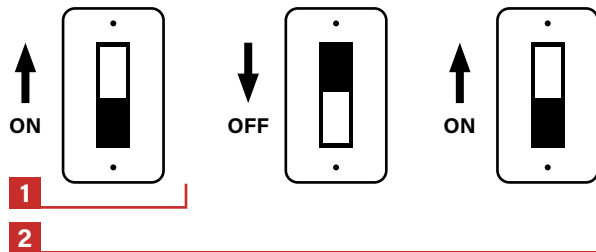
System Wattage	1-Lamp			2-Lamp			3-Lamp			4-Lamp		
	300mA	240mA	180mA	300mA	240mA	180mA	300mA	240mA	180mA	300mA	240mA	180mA
100%	15.5W	12.4W	9.3W	30.6W	24.5W	18.4W	45.6W	36.5W	27.4W	60.4W	48.3W	36.2W
70%	10.9W	8.7W	6.5W	21.4W	17.1W	12.9W	31.9W	25.5W	19.2W	42.3W	33.8W	25.4W
50%	7.8W	6.2W	4.7W	15.3W	12.2W	9.2W	22.8W	18.2W	13.7W	30.2W	24.2W	18.1W
System Lumens	1-Lamp			2-Lamp			3-Lamp			4-Lamp		
	300mA	240mA	180mA	300mA	240mA	180mA	300mA	240mA	180mA	300mA	240mA	180mA
100%	2,250	1,760	1,300	4,500	3,640	2,730	6,750	5,455	4,135	9,000	7,285	5,520
70%	1,530	1,205	870	3,195	2,535	1,865	4,755	3,815	2,805	6,395	5,125	3,810
50%	1,060	820	580	2,265	1,780	1,290	3,380	2,670	1,950	4,545	3,615	2,650
System Efficacy	1-Lamp			2-Lamp			3-Lamp			4-Lamp		
	300mA	240mA	180mA	300mA	240mA	180mA	300mA	240mA	180mA	300mA	240mA	180mA
100%	145 lm/W	142 lm/W	140 lm/W	147 lm/W	149 lm/W	149 lm/W	148 lm/W	150 lm/W	151 lm/W	149 lm/W	151 lm/W	152 lm/W
70%	141 lm/W	139 lm/W	134 lm/W	149 lm/W	148 lm/W	145 lm/W	149 lm/W	149 lm/W	147 lm/W	151 lm/W	152 lm/W	150 lm/W
50%	137 lm/W	132 lm/W	125 lm/W	148 lm/W	146 lm/W	140 lm/W	148 lm/W	146 lm/W	142 lm/W	150 lm/W	150 lm/W	146 lm/W

\* Keystone Power Select Technology (300/240/180mA)  
 \* Keystone Bi-Level Dimming (100/70/50%)  
 \* 3000K has a 3% loss, other CCTs maintain performance

### KEY FEATURES

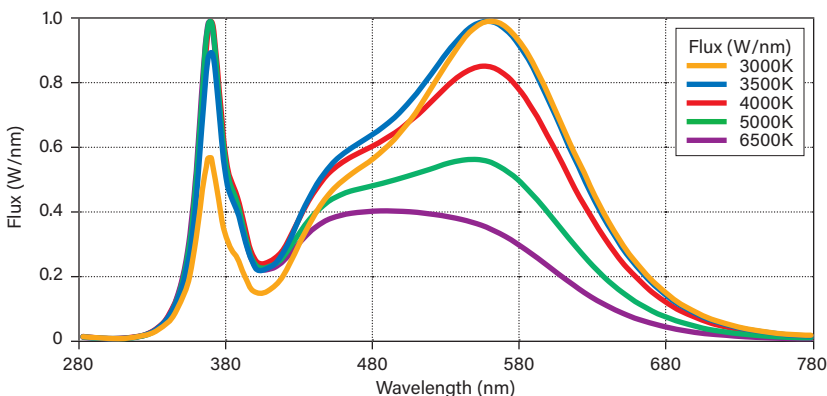
#### BI-LEVEL DIMMING

- MODE 1** Partial Brightness (settable to 100/70/50%)  
 Flip wall switch to ON position
- MODE 2** Full Brightness (100%)  
 Flip wall switch twice within 5 seconds



### PHOTOMETRIC SPECIFICATIONS

#### SPECTRAL DISTRIBUTION



#### RATED LIFE

L70 (Hours) 70,000

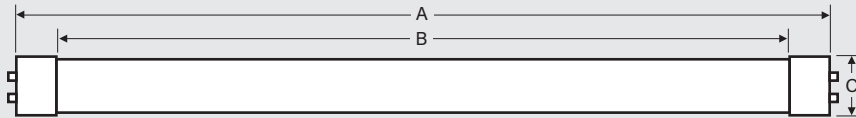
BEAM ANGLE: 160°

# KT-LED14T8-48G-8CSJ-E

## T8 LED LAMP

### PHYSICAL SPECIFICATIONS

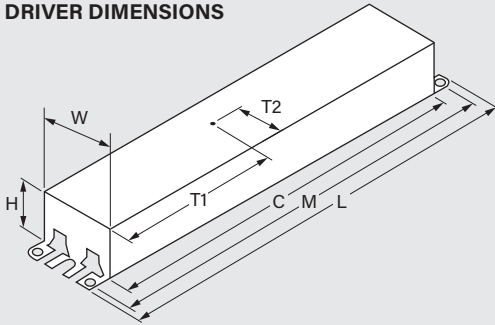
#### LAMP DIMENSIONS



KT-LED14T8-48G-8CSJ-E	
A (Body Length)	47.22"
B (Illuminated Length)	43.48"
C (Diameter)	1.10"

BASE TYPE: G13 (MEDIUM BI-PIN)

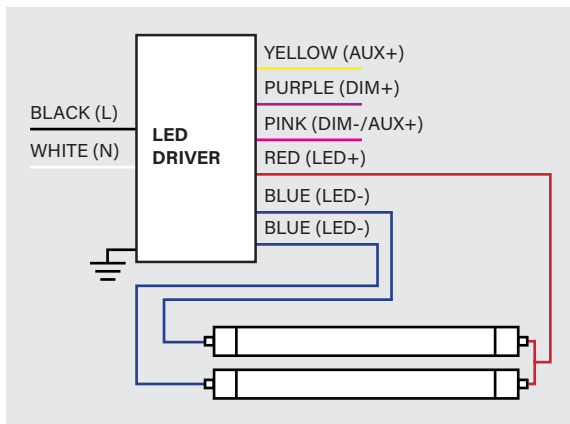
#### DRIVER DIMENSIONS



KTLD-XLT8-UV-PS15C-BL-VDIM	
Length (L)	11.02"
Mounting Length (M)	10.49"
Case Length (C)	9.58"
Width (W)	1.18"
Height (H)	0.87"
Tc Point (T1)	4.50"
Tc Point (T2)	0.59"

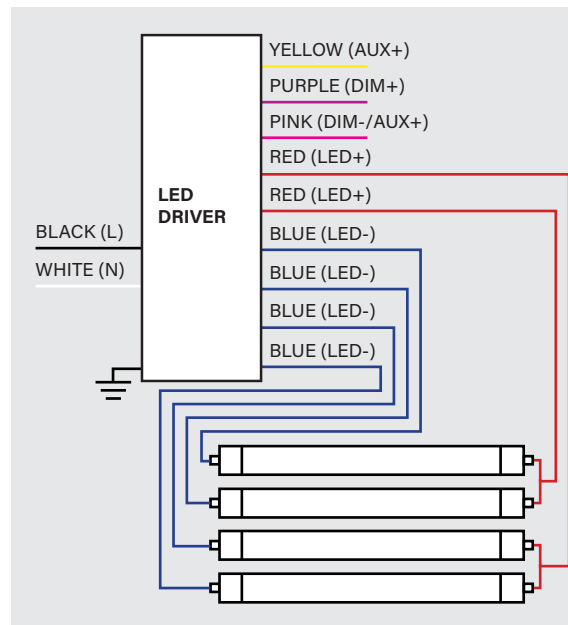
### WIRING SPECIFICATIONS

#### KTLD-2LT8-UV-PS15C-BL-VDIM



\*For 1 Lamp application, cap off 1 blue lead

#### KTLD-4LT8-UV-PS15C-BL-VDIM



\*For 3 Lamp application, cap off 1 blue lead

#### STANDARD LEAD LENGTHS\*

Input	Black	30.00"
	White	30.00"
Output	Red	30.00"
	Blue	30.00"
	Purple	30.00"
	Pink	30.00"
	Yellow	30.00"

Input Wires are 18 AWG  
105°C / 600V

Output Wires are 20 AWG  
105°C / 300V

\*Consult Keystone for special lead length requirements.



# KT-LED14T8-48G-8CSJ-E

## T8 LED LAMP

**ORDERING INFORMATION**

Catalog Number	Carton QTY	Item Status	UPC	Easy Code
KT-LED14T8-48G-8CSJ-E	25	Quick Ship	843654177304	ETG-25

**CATALOG NUMBER BREAKDOWN**

# KT-LED14T8-48G-8CSJ-E

- 1
- 2
- 3
- 4
- 5
- 6
- 7
- 8
- 9
- 10

- 1 Keystone Technologies
- 2 LED Lamp
- 3 Wattage
- 4 Lamp Type
- 5 Nominal Length (Inches)
- 6 Glass
- 7 80 CRI
- 8 Color Select
- 9 Color Select Designation
- 10 External Drive Series

- 9 COLOR SELECT DESIGNATION
- |   |                           |
|---|---------------------------|
| J | 3000/3500/4000/5000/6500K |
|---|---------------------------|